

OPERATING INSTRUCTIONS AND OWNERS MANUAL



PORTABLE BUDDY RADIANT HEATER

Model #
MH8BXDF

IMPORTANT: Read these instructions for use carefully so as to familiarize yourself with the appliance before connecting it to its gas cartridge. Keep these instructions for future reference.



**USE HEATER
WITH THREADED
CARTRIDGE ONLY**



(1 Pound (450g) Propane Gas (G31) Cartridge Not Included)

PORTABLE PROPANE(G31) AND
BUTANE/PROPANE MIXTURE(G30 + G31)
HEATER FOR RECREATIONAL,
COMMERCIAL AND
EMERGENCY INDOOR USE

LANGUAGES INCLUDED:

ENGLISH, GERMAN, FRENCH, ITALIAN, SPANISH, DUTCH, PORTUGUESE,
RUSSIAN, POLISH, FINNISH, SWEDISH, NORWEGIAN, DANISH



(450g) Butane /Propane Mixture Gas (G30+G31) Cartridge Not Included)

WARNING: If the information in this manual is not followed exactly, a fire or explosion may result causing property damage, personal injury or loss of life.

- Do not store or use gasoline or other flammable vapors and liquids in the vicinity of this or any other appliance.
- A Propane (G31) or Butane/Propane mixture (G30+G31) cartridge not connected for use shall not be stored in the vicinity of this or any other appliance.
- WHAT TO DO IF YOU SMELL GAS
 - Do not try to light appliance.
 - Extinguish any open flame.
 - Shut off gas to appliance.
- Service must be performed by a qualified service agency.

This is an unvented gas-fired portable heater. It uses air (oxygen) from the area in which it is used. Adequate combustion and ventilation air must be provided. Refer to page 3.

WARNING:

⚠ Every time a tank is connected to unit, connection must be checked for leaks in one or more ways: Apply soapy water to connection, look for bubbles, listen for hiss of escaping gas, feel for extreme cold, smell for rotten egg odor. If there is a leak on your appliance (smell of gas), take it outside immediately into a well ventilated flame free location where the leak may be detected and stopped. If you wish to check for leaks on your appliance, do it outside. Do not try to detect leaks using a flame, use soapy water. Any changes to this heater or its controls can be dangerous. DO NOT modify appliance.

WARNING:

⚠ Early signs of carbon monoxide poisoning resemble the flu, with headache, dizziness and/or nausea. If you have these signs, heater may not be working properly. Get fresh air at once! Have heater serviced.

WARNING:

⚠ If the recreational or commercial enclosure does not have a window or roof vent, DO NOT USE THIS HEATER INSIDE. Use only in a well ventilated area.

CONTENTS

General Safety Instructions	2
Odor Fade Warning	3
General Information.....	4
Operating with Disposable Propane Cartridges	4
Operating With Hose Connected to Remote Cartridge	5
Maintenance.....	6
Troubleshooting	7
Parts List.....	8
Parts Ordering Information	9
Service Information.....	9

SPECIFICATIONS

MODEL NO.....	MH8BXDF
GAS TYPE...Propane(G31) Gas shall only be used with Coleman and Primus Power Gas 70/30 Butane/ Propane (G30+G31).	
INPUT BTU/HR.	4,000(1.17 KW) / 8,000(2.4 KW)
CLEARANCE TO COMBUSTIBLES	
TOP.....	30"/76.2 cm
FRONT	24"/60.96 cm
SIDES	6"/15.24 cm
REAR.....	0"

Caution:

- Some carpets or linoleum surfaces may discolor if heater is placed directly on these floor coverings.
- When operating the heater at altitudes over 7,000 FT (2.13 km) above sea level the heater may shut off. (Please read the GENERAL INFORMATION)

WARNING:

- This appliance shall only be used with Vapor Pressure Propane 100%(G31) and Propane Butane Mixture 70/30 (G30+G31) fuels It may be hazardous to attempt to fit other types of gas cartridges.

GENERAL SAFETY INSTRUCTIONS

THIS IS A HEATING APPLIANCE. DO NOT OPERATE THIS APPLIANCE WITHOUT THE FRONT WIRE GUARD INSTALLED. DO NOT ATTEMPT TO WARM OR COOK FOOD ON THIS HEATER.

- Do not use non-approved attachments on this heater. Do not modify appliance.
- Due to high temperatures, the appliance should be located out of traffic and away from combustible materials. (See SPECIFICATIONS)
- CAUTION: accessible parts may become very hot. Keep young children away from the appliance Children and adults should be alerted to the hazard of high surface temperatures and should stay away to avoid burns or clothing ignition.
- Young children should be carefully supervised when they are near the appliance.
- Do not place clothing or other flammable material on or near the appliance.
- Do not operate heater in any moving vehicle such as leisure vehicles like caravans and auto caravans. Do not use in high rise flats, basements, bathrooms or bedrooms.
- This heater can also be used in a recreational or commercial enclosure with a window or roof vent. It may also be used outdoors.
- This heater requires a well ventilated location of 9 square inches (22.86 cm²) (example 3" /7.62 cm x 3"/7.62 cm opening) minimum for adequate ventilation during operation which is in accordance with national requirements for the supply of combustion air, . Do not use other fuel burning appliances inside.
- GAS PRESSURE AT HEATER IS REGULATED AND FIXED AT 11" W.C.(27.4 millibar) IN ANY CASE DO NOT REGULATE OR REDUCE PROPANE(G31) OR BUTANE/PROPANE MIXTURE(G30+G31) CARTRIDGE SUPPLY PRESSURE TO HEATER!
- REGULATOR IN HEATER MUST ALWAYS BE IN PLACE DURING OPERATION.
- If the wire guard is removed for servicing, it must be replaced prior to operating the heater.
- The appliance should be inspected before each use.

Frequent cleaning may be required. The control compartments, burner and circulating air passageways of the appliance must be kept clean, see MAINTENANCE.

- DO NOT use this heater if any part has been under water. Immediately call a qualified service technician to inspect the heater and to replace any part of the control system and any gas control, which has been under water.
- When used without adequate combustion and ventilation air, this heater may give off excessive CARBON MONOXIDE, an odorless, poisonous gas.
- Some people - pregnant women, persons with heart or lung disease, anemia, those under the influence of alcohol, those at high altitudes - are more affected by carbon monoxide than others.
- When heater is placed on the ground, make sure the ground is level and keep any objects at least 24 inches(60.96 cm) from the front of the heater. DO NOT MOVE THE APPLIANCE WHEN OPERATING, SHOCKS AND BUMPS MAY ACTIVATE THE SAFETY TIP OVER DEVICE. DO NOT LEAVE HEATER UNATTENDED OR WHERE CHILDREN MAY CAUSE THE HEATER TO TIP OVER. NEVER OPERATE THE HEATER WHILE SLEEPING!

ODOR FADE WARNING

WARNING

Asphyxiation Hazard

- Do not use in unventilated areas.
- The flow of combustion and ventilation air must not be obstructed.
- Proper ventilation air must be provided to support the combustion air requirements of the heater being used.
- Refer to the specification section of the heater's manual, heater dataplate, or contact the factory to determine combustion air ventilation requirements of the heater.
- Lack of proper ventilation air will lead to improper combustion.
- Improper combustion can lead to carbon monoxide poisoning leading to serious injury or death. Symptoms of carbon monoxide poisoning can include headaches, dizziness and difficult in breathing.

FUEL GAS ODOR

Propane gas(G31) and butane/propane mixture (G30+G31) gases have man-made odorants added specifically for detection of fuel gas leaks. If a gas leak occurs you should be able to smell the fuel gas. Since Propane (G31) is heavier than air you should smell for the gas odor low to the floor. ANY GAS ODOR IS YOUR SIGNAL TO GO INTO IMMEDIATE ACTION!

- Do not take any action that could ignite the fuel gas. Do not operate any electrical switches. Do not pull any power supply or extension cords. Do not light matches or any other source of flame. Do not use your telephone.
- Get everyone out of the building and away from the area immediately.
- Close all propane (G31) gas tank or cartridge fuel supply

valves, or the main fuel supply valve located at the meter if you use natural gas.

- Propane gas(G31) is heavier than air and may settle in low areas. When you have reason to suspect a propane leak, keep out of all low areas.
- Use your neighbor's phone and call your fuel gas supplier and your fire department. Do not re-enter the building or area.
- Stay out of the building and away from the area until declared safe by the firefighters and your fuel gas supplier.
- FINALLY, let the fuel gas service person and the firefighters check for escaped gas. Have them air out the building and area before you return. Properly trained service people must repair any leaks, check for further leakages, and then relight the appliance for you.

ODOR FADING - NO ODOR DETECTED

- Some people cannot smell well. Some people cannot smell the odor of the man-made chemical added to propane(G31). You must determine if you can smell the odorant in these fuel gases.
- Learn to recognize the odor of propane gas (G31). Local propane gas (G31) dealers will be more than happy to give you a scratch and sniff pamphlet. Use it to become familiar with the fuel gas odor.
- Smoking can decrease your ability to smell. Being around an odor for a period of time can affect your sensitivity to that particular odor. Odors present in animal confinement buildings can mask fuel gas odor.
- **The odorant in propane gas (G31) is colorless and the intensity of its odor can fade under some circumstances.**
- If there is an underground leak, the movement of gas through the soil can filter the odorant.
- Propane gas (G31) odor may differ in intensity at different levels. Since Propane gas (G31) is heavier than air, there may be more odor at lower levels.
- **Always be sensitive to the slightest gas odor.** If you continue to detect any gas odor, no matter how small, treat it as a serious leak. Immediately go into action as discussed previously.

ATTENTION - CRITICAL POINTS TO REMEMBER!

- Propane gas (G31) or Butane/Propane mixture (G30+G31) has a distinctive odor. Learn to recognize these odors. (Reference Fuel Gas Odor and Odor Fading sections above.)
- Even If you are not properly trained in the service and repair of the heater, ALWAYS be consciously aware of the odors of propane gas(G31) and natural gas.
- If you have not been properly trained in repair and service of propane gas(G31) or Butane/Propane mixture(G30+G31) then do not attempt to light heater, perform service or repairs, or make any adjustments to the heater on the propane (G31) or Butane/Propane mixture(G30+G31) gas fuel system.
- A periodic sniff test around the heater or at the heater's joints; i.e. hose, connections, etc., is a good safety practice under any conditions. If you smell even a small amount of gas, CONTACT YOUR FUEL GAS SUPPLIER IMMEDIATELY. DO NOT WAIT!

GENERAL INFORMATION:

- This heater is safe for indoor use in small recreational enclosures, having means for providing combustion air and ventilation, such as tents, cabins, fishing huts, and enclosed porches. It may be used for emergency indoor heating when connected to a disposable 1 lb.(465g) propane (G31) OR 450g Butane/Propane mixture (G30+G31) cartridge and for indoor use in commercial enclosures, having means for providing combustion air and ventilation, such as construction trailers or temporary work enclosures.

Note: The heater can be used outdoors, but may experience nuisance shutoffs due to certain wind conditions.

- When the heater is cold or at room temperature, it will take a few minutes for the burner tile to turn bright orange. This is normal and the heater is working properly. If burner tile is visibly flaming, turn heater off and call a qualified service technician.
- When the unit is lit, there should be about a quarter inch (1/4"-.635 cm) border around the tile that will not turn bright orange. This is normal.
- When operating the heater for the first time, the top area of the reflector may discolor. This is also normal and is no reason for concern.
- When operating the heater at altitudes over 7,000 FT (2.13km). above sea level, the unit may not burn as bright as in lower altitudes. This is normal. At higher altitudes, the heater may shut-off. If this happens, provide fresh air, wait 5 minutes and re-light. Due to local atmospheric conditions heater may not re-light.
- Operating time will vary depending on the heater setting and the supply cartridge size. Up to 3 to 6 hours on a 1 lb. propane (G31) cartridge or 3 to 6 hours on a 450G 70/30 Butane/Propane mixture (G30+G31) cartridge . Up to 48 to 110 hours on a 20 lb.(5KG) cartridge (based on "HI" and "LO" settings). Due to the properties of Propane gas (G31), run times can be significantly reduced when operating continuously at temperatures below 20°F.
- This heater is equipped with a tip-over safety switch. Nuisance shut-downs may be experienced if the unit is bumped or moved. if this occurs simply relight the heater.
- Due to natural operation of small tanks, condensation may build up on tank and drip on surface under heater. Sometimes this condensation may freeze due to the extreme cold caused when propane (G31) vaporizes. This is normal and no reason for alarm.

LIGHTING / OPERATING INSTRUCTIONS FOR USE WITH DISPOSABLE 1 LB. PROPANE (G31)OR 450G 70/30 BUTANE PROPANE MIXTURE(G30+G31) CARTRIDGES:

WARNING: Always inspect propane cartridge and heater propane/Butane adapter connections for damage, dirt, and debris before attaching propane cartridge. Do not use if head of cartridge is damaged, punctured or deteriorated.

ALWAYS ATTACH OR DETACH CARTRIDGE OUTDOORS AWAY FROM FLAMES, OTHER IGNITION SOURCES, AND ONLY WHEN HEATER IS COOL TO TOUCH. NEVER SMOKE WHEN ATTACHING OR REMOVING PROPANE CARTRIDGE OR MAKING REMOTE CONNECTIONS!

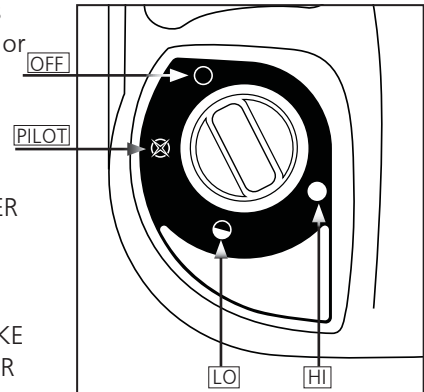


Figure 1: Control Knob

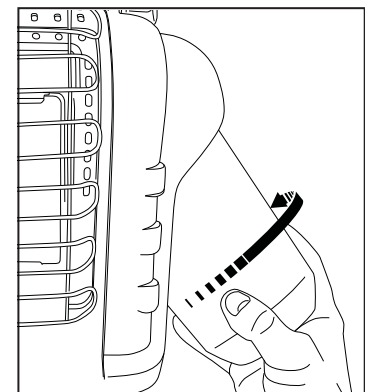


Figure 2: Attach fuel tank

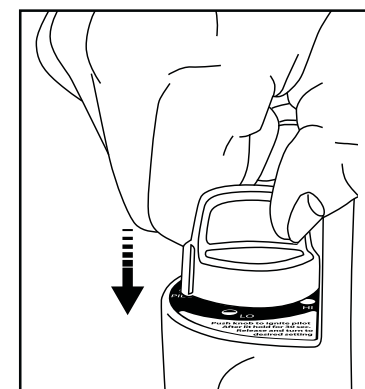



Figure 3: Ignition

- Use only 16.4 oz. (1 lb.) disposable propane (G31) cartridges that mate with No. 600 valve connection or butane/propane (70/30) (G30+G31) mixtures with thread type 7/16-28 ENF-2B.
- Check that seals (between the appliance and the gas cartridge) are in place and in good condition before connecting to the gas cartridge. Figure 4. Do not use an appliance which has damaged or worn seals. Do not use an appliance which is leaking, damaged or which does not operate properly.
- Make sure four-position Control Knob is in "OFF"  position: see Figure 1.
- To use with propane: Swivel regulator outward for easy tank installation. Screw 1 lb. (465g) disposable Propane-gas (G31) supply cartridge clockwise (from bottom) into portable heater until hand-tight; see Figure 2. DO NOT use thread sealant on this connection.
- To use with Butane/Propane mixture (G30+G31): Screw brass adapter clockwise into portable heater regulator (from bottom) until tight. See Figure 4. Do not use

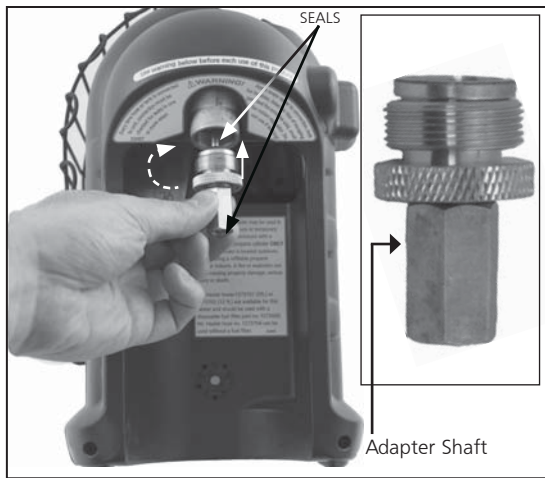



Figure 4: "Butane Adapter"

thread sealant on this connection. Screw butane propane mixture cartridge into the adapter (clockwise), once the shaft on the adapter starts to turn the cartridge is connected, then fit the cartridge into the stand.

- Check adapter and cartridge connection for leaks with soapy water at the threaded connection under the domed plastic cover where the cartridge screws into the regulator. SEE WARNING! ON DOMED PLASTIC COVER.
- Turn Control Knob counterclockwise to "PILOT" position  and depress to light; see Figure 1 and Figure 3.

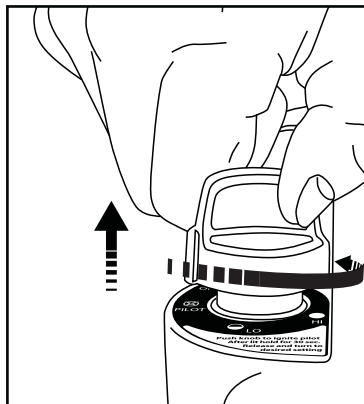

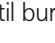







Figure 5: "Release knob."

- If heater does not light, hold down for approximately 30 seconds; release and depress again. Repeat until pilot lights.
- After pilot lights, hold down for 30 -60 seconds and then release knob. Knob should return to fully extended position; To operate heater slightly depress knob and gently turn to lock in the "HI" position  to light burner tile. Leave on "HI"  position until burner tile turns bright orange. Figure 5


NOTE: Flare ups are common when first lighting the appliance. Keep your face and flammable objects away from the appliance.


- After burner tile has turned bright orange, adjust heat output by turning Control Knob to desired position ("LO"  or "HI"  setting) Figure 1.

Warning:

DO NOT OPERATE HEATER UNLESS CONTROL KNOB IS LOCKED IN A POSITION MARKED "HI" , "LO"  or "PILOT" . NEVER SET CONTROL KNOB BETWEEN LOCKED POSITIONS. POOR COMBUSTION AND HIGHER LEVELS OF CARBON MONOXIDE MAY RESULT.

- To shut off heater, slightly push down and turn Control

Knob clockwise to "OFF" position .

- CAUTION: Accessible parts may become very hot. The guard on this appliance is to prevent risk of fire or injury from burns and no part of it should be permanently removed. IT DOES NOT GIVE FULL PROTECTION FOR YOUNG CHILDREN OR THE INFIRM. Allow to thoroughly cool before storing.
- Turn knob to "OFF" position . Check that burners are extinguished before disconnecting the gas cartridge.
- TO REMOVE PROPANE (G31) CARTRIDGE: Remove cartridge from stand and turn cartridge counterclockwise until it is fully unscrewed off of heater.
- TO REMOVE BUTANE/PROPANE MIXTURE (G30+G31) CARTRIDGE: Remove cartridge from stand and turn cartridge counterclockwise until it is fully unscrewed off of adapter.
- Once Cartridge is removed then the Butane adapter can be unscrewed turning counterclockwise until it is fully unscrewed off of the heater.
- Do not operate, store or remove cartridge near flammable items or ignition sources. Only change cartridges in a well ventilated location, preferably outside, away from any sources of ignition such as naked flames, pilots, electric fires and away from other people.
- Propane-GAS (G31) or Butane/Propane mixture (G30+G31) cartridges MUST BE DISCONNECTED FROM HEATER WHEN NOT IN USE! Make sure to check the seals before connecting a new gas cartridge to the appliance.

MAINTENANCE:

PRECAUTIONS TO BE TAKEN WHEN THE APPLIANCE IS NOT TO BE USED FOR A PERIOD OF TIME:

Always keep the heater area clear and free from combustible materials, gasoline and other flammable vapors and liquids.

Store heater when it has cooled in a zippered bag or other sealed dust free location between uses.

Keep the vent areas (slots in the bottom and the top at the front of heater) clear at all times.

Visually inspect the pilot flame and burner periodically during use. The pilot flame should be blue in color (not yellow) and will extend beyond the thermocouple. The flame will surround the thermocouple just below the tip, see Figure 6.

A slight yellow flame may occur where the pilot flame and main burner flame meet. The burner should be bright orange (with a slight blue color around the border, a red-orange haze that is visible on the ceramic tile is acceptable) and without a noticeable flame. A blue flame that rolls out at the top of the ceramic tile indicates an accumulation of

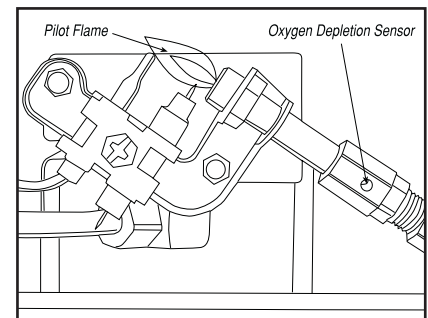


Figure 6

dust, lint or spider webs inside the casing assembly and main burner assembly. If the pilot is yellow or the burner has a noticeable flame, cleaning may be required. Use the following procedure to inspect the casing assembly and main burner assembly.

It is necessary to periodically check the burner orifice and burner venturi tube to make sure they are clear of insects/nests or spider webs that may accumulate over time. A clogged tube can lead to a fire.

- 1 Allow heater to thoroughly cool before performing any maintenance.
- 2 Remove cartridge from heater or turn OFF gas supply at remote cartridge valve, and disconnect hose from heater.
- 3 Remove (4) four screws that secure the rear cover to the Heater.
- 4 Pivot cover outward from bottom. Release from 2 top clips. Set aside.
- 5 Remove (4) four burner retaining screws and fuel line from burner assembly. Remove burner assembly from back of housing.
- 6 Inspect interior of casing assembly for accumulation of dust, lint or spider webs. If necessary, clean interior of casing assembly with a vacuum cleaner or apply air pressure. Do not damage any components within casing assembly when you are cleaning.
- 7 Inspect and clean main burner orifice (threaded into orifice holder). Orifice holder is attached to the burner assembly venturi with (2) two screws.
- 8 Inspect and clean pilot (mounted to bracket) by using a vacuum or apply air pressure through the holes in the pilot indicated by the arrows in Figure 6.
WARNING: Never use needles, wires, or similar cylindrical objects to clean the pilot to avoid damaging the calibrated orifice that controls the gas flow.
- 9 Apply air pressure (max. 30 psi.) into ceramic tile of burner assembly and the venturi tube (ref. item #16) to remove dust, lint or spider webs.
- 10 Reassemble main burner orifice holder onto the burner assembly.
- 11 Reinstall burner assembly into the heater housing
- 12 Reinstall fuel line and check for leaks.
- 13 Install heater back cover.

TROUBLESHOOTING INFORMATION:

If Spark electrode does not produce spark.

CHECK

- Spark electrode broken – replace ODS (Oxygen Depletion Sensor).
- Igniter wire may not be attached to spark electrode, ground wire may not be attached to frame - attach.
- Igniter wire damaged – replace.

- Piezo igniter defective – replace gas valve ass'y.

If Spark electrode produces spark but pilot does not light.

CHECK

- No gas to heater – install disposable cartridge or connect hose and turn on valve at remote cartridge.
- "PILOT" position not properly aligned – turn gas control knob to "PILOT" position and depress.
- Pilot is blocked from spider web or dirt – clean pilot, see MAINTENANCE.

If Pilot flame does not stay lit when knob is released.

CHECK

- Control knob in "PILOT" position not completely depressed or held in long enough to purge air from lines.
- Pilot flame not surrounding thermocouple – clean pilot, see MAINTENANCE.
- Pilot Assembly defective – replace.
- Tip switch wires disconnected – connect.

If Main burner does not ignite.

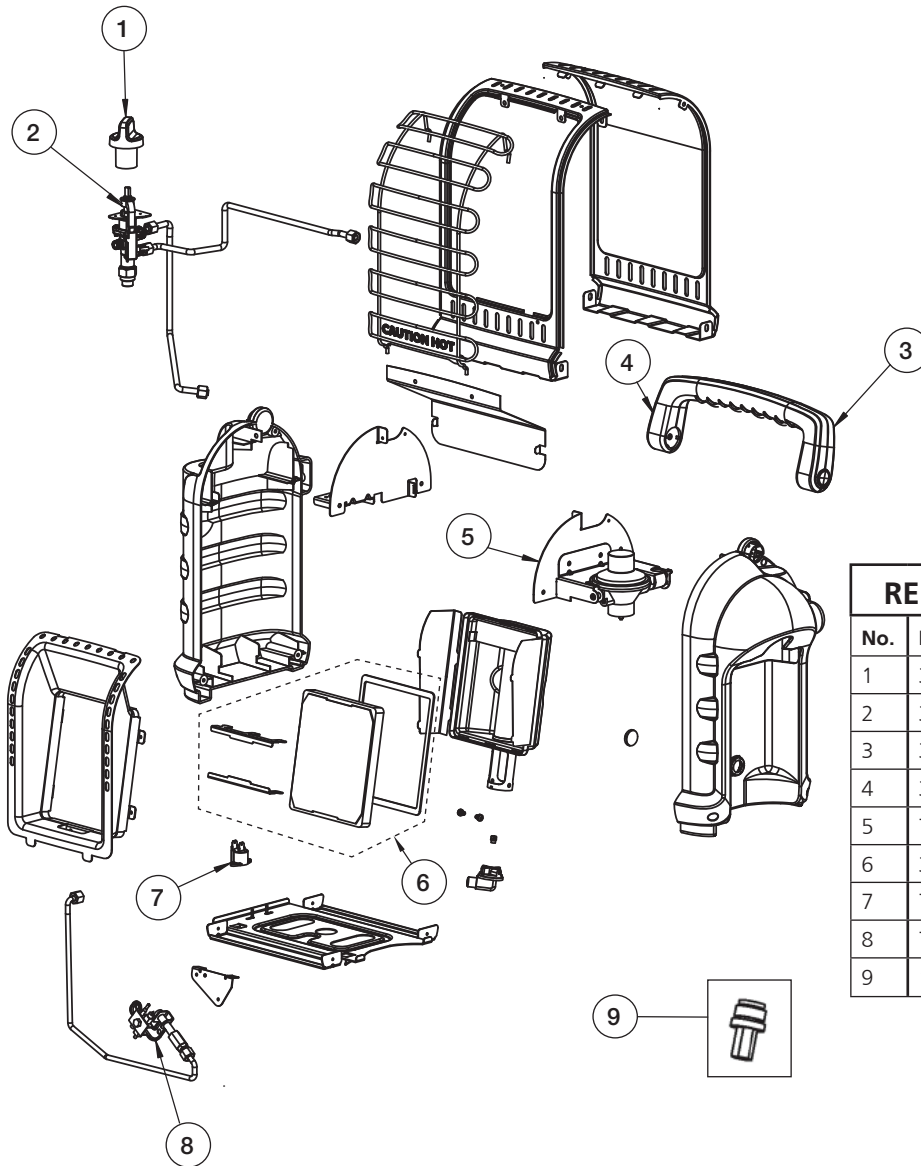
CHECK

- Main burner orifice is blocked – clean burner, see MAINTENANCE.

If Heater keeps shutting "OFF" during normal operation.

CHECK

- Pilot is blocked – clean pilot, see MAINTENANCE.
- Provide minimum fresh air opening of 9 square inches (15.24 square centimeters) (example 3" (7.62 cm) x 3" (7.62 cm) opening).
- Tip over switch activated from bumping heater. Re-light
- Regulator defective - Replace regulator.
- Internal contamination - Replace control valve and regulator.
- Call Technical Services for additional information.



REPLACEMENT PARTS LIST:		
No.	Part#	Description
1	32017	Knob, Valve, Safety, Red
2	32054	Valve, Assy, Control
3	32015	Handle, Back, Plastic, Gray
4	32014	Handle, Front, Plastic, Gray
5	75198	Assy, Regulator, w/Support
6	33088	Tile, Replacement Kit, H9BXDF
7	73403	Switch, Tipover
8	73396	ODS, Pilot, Assy
9	15164	Butane Adapter

APPROVED MR. HEATER ACCESSORIES (sold separately)	
ITEM #	DESCRIPTION
32008	5 ft. (1.52m) PROPANE HOSE ASSEMBLY (Swivel 1"-20 Male Throwaway Cyl. Thd. X P.O.L. w/ Handwheel) (Recommended use with fuel filter.)
F273699	Fuel Filter (Replace Annually)



OPERATING INSTRUCTIONS AND OWNER'S MANUAL

Model #
MH8BXDF



WARNING:

USE ONLY MANUFACTURER'S REPLACEMENT PARTS. USE OF ANY OTHER PARTS COULD CAUSE INJURY OR DEATH. REPLACEMENT PARTS ARE ONLY AVAILABLE DIRECT FROM THE FACTORY AND MUST BE INSTALLED BY A QUALIFIED SERVICE AGENCY. MR. HEATER HOSE 32008 ARE SPECIFICALLY DESIGNED FOR USE WITH THIS HEATER ALONG WITH F273699 DISPOSABLE FUEL FILTER (REPLACE ANNUALLY). USE OF OTHER HOSES MAY CAUSE THE HEATER TO BECOME INOPERABLE.

PARTS ORDERING INFORMATION:

PURCHASING: Accessories may be purchased at www.mrheater.com and local dealers
FOR INFORMATION REGARDING SERVICE VISIT: www.mrheater.com

Our office hours are 8:00 AM – 5:00 PM, EST, Monday through Friday.

You can chat with technical representative via the website: www.mrheater.com

Please include the model number, date of purchase, and description of problem in all communication.



LIMITED WARRANTY

Mr. Heater, Inc. warrants its heaters and accessories to be free from defects in material and workmanship for a period of 1 year from date of purchase. Mr. Heater, Inc. will repair or replace this product free of charge if it has been proven to be defective within the 1-year period, and is returned to the retailer with proof of purchase within the warranty period.

Mr. Heater, Inc. reserves the right to make changes at any time, without notice or obligation, in colors, specifications, accessories, materials and models.

For Sale in the following countries:



PRODUCT REGISTRATION: Thank you for your purchase.
Please log in to <http://www.egiregistration.com> to register your product.

MR. HEATER, INC., 4560 W. 160TH ST., CLEVELAND, OHIO 44135 USA • 800-251-0001
Mr. Heater and Portable Buddy are registered trademarks of Enerco Group, Inc.
© 2015, Enerco/Mr. Heater. All rights reserved



BEDIENUNGSANLEITUNG UND BENUTZERHANDBUCH



PORTABLE BUDDY HEIZSTRAHLER

Modell #
MH8BXDF

WICHTIG: Lesen Sie diese Gebrauchsanweisung aufmerksam durch, damit Sie sich mit dem Gerät vertraut machen, bevor Sie es an die Gaskartusche anschließen. Bewahren Sie diese Anweisungen zum späteren Nachschlagen sorgfältig auf.



**DAS HEIZGERÄT NUR
MIT GEWINDEKAR-
TUSCHE BENUTZEN**



1 Pfund (450g) Propangas (G31)-Kartusche Nicht Inbegriffen

PORTABLES PROPAN(G31) UND BUTAN/
PROPAN- GEMISCH(G30 + G31)-
HEIZGERÄT FÜR FREIZEITNUTZUNG,
GEWERBLICHEN GEBRAUCH UND IN
NOTFÄLLEN FÜR DEN INNENBEREICH

ENTHALTENE SPRACHEN:

ENGLISCH, DEUTSCH, FRANZÖSISCH, ITALIENISCH, SPANISCH,
HOLLÄNDISCH, PORTUGUIESISCH, RUSSISCH, POLISCH,
FINNISCH, SCHWEDISCH, NORWEGISCH, DÄNISCH



(450g) Butan/Propan-Gemisch (G30+G31)-Kartusche Nicht Inbegriffen

WARNUNG: Wenn die Informationen in dieser Anleitung nicht genau befolgt werden, kann dies zu Feuer oder Explosion führen und Sachschäden, Verletzungen oder Tod verursachen.

- Kein Benzin oder andere entflammbarere Gase in der Nähe dieses oder anderer Geräte aufbewahren.
- Eine Propangas (G31) oder eine Butan/Propan-Gemisch-Kartusche (G30+G31), die nicht zum Gebrauch angeschlossen ist, darf nicht in der Nähe von anderen Geräten aufbewahrt werden.
- WAS SIE TUN MÜSSEN, WENN SIE GAS RIECHEN
 - Nicht versuchen das Gerät anzuzünden.
 - Löschen Sie offene Flammen.
 - Das Gas zum Gerät abdrehen.
- Service muss von einer qualifizierten Serviceagentur durchgeführt werden.

Dies ist ein ungelüftetes, gasbefeuetes, tragbares Heizgerät. Es verwendet Luft (Sauerstoff) aus dem Bereich, in dem es benutzt wird. Es muss ausreichende Verbrennungsluft und Belüftung vorhanden sein. Siehe Seite 3.

WARNUNG:

⚠ Jedes Mal wenn ein Tank an ein Gerät angeschlossen wird, muss der Anschluss auf eine oder mehrere Weisen auf Undichtigkeiten geprüft werden: Applizieren Sie Seifenwasser um den Anschluss herum, und achten Sie darauf, ob sich Blasen bilden, oder das Zischen von entweichendem Gas zu hören ist, es sich extrem kalt anfühlt oder ein Geruch von faulen Eiern wahrnehmbar ist. Nicht benutzen, wenn undicht! Im Falle einer Gasleckage muss das Gerät sofort ins Freie, an einen gut gelüfteten Ort gebracht werden, wo das Leck gefunden und gestoppt werden kann. Jegliche Änderungen an diesem Heizgerät und seinen Bedienelementen kann gefährlich sein.

WARNUNG:

⚠ Frühe Anzeichen von Kohlenmonoxid-Vergiftung ähneln der Grippe, mit Kopfschmerzen, Schwindel und /oder Übelkeit. Falls Sie diese Symptome haben, könnte es sein, dass der Heizer nicht ordnungsgemäß funktioniert. Gehen Sie sofort an die frische Luft!

WARNUNG:

⚠ Falls der Freizeit- oder gewerbliche Raum keine Fenster- oder Dachventilation hat, DARF DIESES HEIZGERÄT NICHT IM INNENBEREICH VERWENDET WERDEN. Nur an gut belüfteten Orten verwenden.

INHALTSVERZEICHNIS

Allgemeine Sicherheitshinweise	2
Schwindender Geruchssinn - Warnung	3
Allgemeine Informationen	4
Betrieb von Einweg Propan-Kartuschen	4
Betrieb einer Kartusche mit Schlauchverbindung	5
Wartung	6
Fehlersuche	7
Stückliste	8
Ersatzteilbestellung	9
Service-Information	9

TECHNISCHE DATEN

MODELL NR.	MH8BXDF
GAS TYPE...Propan (G31) Gas wie z. B. Coleman-Gas und 70/30 Butan/Propan-Gemisch (G30+G31) Gasmischungen wie z. B. Primus Power Gas	
EINGANG BTU/STD.	4,000(1,17 KW) / 8,000(2,4 KW)
ABSTAND ZU BRENNSTOFFEN	
OBERSEITE	30"/76,2 cm
VORDERSEITE	24"/60,96 cm
SEITEN	6"/15,24 cm
HINTERSEITE	0"

Vorsicht:

- Manche Teppich- oder Linoleumoberflächen können möglicherweise verfärben, wenn die Heizung direkt auf den Bodenbelag gestellt wird.
- Bei Betrieb des Heizgerätes in Höhen über 7,000 Fuß (2,13 km) über dem Meeresspiegel kann das Heizgerät ausschalten. (Bitte lesen Sie die ALLGEMEINE INFORMATION).

WARNUNG:

- Dieses Gerät darf nur mit Dampfdruck-Propan, 100% (G31), und einem Gemisch von Butan/Propan 70/30 (G30+G31)-Brennstoffen verwendet werden. Es kann gefährlich sein andere Arten von Gaskartuschen anzuschließen zu versuchen.

ALLGEMEINE SICHERHEITSHINWEISE

DIES IST EIN HEIZGERÄT. DAS GERÄT NICHT IN BETRIEB NEHMEN OHNE DIE DRAHTSCHUTZVORRICHTUNG AN DER VORDERSEITE ZU INSTALLIEREN. AUF DIESEM HEIZGERÄT DARF KEIN ESSEN AUFGEWÄRMT ODER GEKOCHT WERDEN.

- Keine nicht-zugelassenen Zusatzteile an diesem Heizgerät anbringen und keine Änderungen vornehmen.
- Aufgrund hoher Temperaturen, sollte das Gerät nicht in frequentierten Bereichen oder in der Nähe von brennbaren Materialien benutzt werden. (siehe TECHNISCHE DATEN)
- VORSICHT: griffbare Teile könnten sehr heiß werden. Kleinkinder von dem Gerät fernhalten. Kinder und Erwachsene sollten auf die Gefahr von hohen Oberflächentemperaturen aufmerksam gemacht werden, und sollten weit genug entfernt sein, um Verbrennungen oder ein Anzünden der Kleidung zu vermeiden.
- Kleinkinder müssen sorgfältig überwacht werden, wenn sie sich in der Nähe des Gerätes aufhalten.
- Keine Kleidung oder andere brennbaren Materialien auf oder neben das Gerät legen.
- Das Heizgerät in keinem fahrenden Fahrzeug wie Freizeitfahrzeuge, z. B. Wohnwagen oder Wohnmobile, betreiben. Nicht in Hochhauswohnungen, Kellern, Bade- oder Schlafzimmern verwenden.
- Dieses Heizgerät kann auch in Freizeitbereichen oder gewerblichen Räumen mit einer Fenster- oder Dachventilation verwendet werden. Es kann auch im Freien benutzt werden.
- In Übereinstimmung mit nationalen Anforderungen, benötigt dieses Heizgerät, während des Betriebs, für die Zufuhr von Verbrennungsluft einen gut belüfteten Bereich von minimal 9 Quadratfuß (22,86 cm²) (Beispiel 3"/7,62 cm x 3"/7,62 cm Öffnung), für ausreichende Belüftung. Verwenden Sie keine anderen Brennstoffgeräte im Innenbereich.
- DER GASDRUCK DES HEIZGERÄTES IST AUF 11" W.C. (27,4 Millibar) REGULIERT UND UNVERÄNDERBAR. NIEMALS DIE PROPAN(G31) ODER BUTAN/PROPAN-GEMISCH(G30+G31)-KARTUSCHE REGULIEREN ODER VERRINGERN ODER DRUCK AUF DAS HEIZGERÄT AUSÜBEN!
- DER REGLER DES HEIZGERÄTES MUSS WÄHREND DES BETRIEBS IMMER AUF GLEICHER EINSTELLUNG BLEIBEN.
- Wenn die Drahtschutzvorrichtung während Servicearbeiten vom Gerät entfernt wurde, muss sie vor Betrieb wieder aufgesetzt werden.
- Das Gerät sollte vor jedem Einsatz überprüft werden. Häufige Reinigung ist erforderlich. Die Schaltgehäuse, Brenner und Umluft-Durchgänge des Gerätes müssen sauber gehalten werden, siehe WARTUNG.

- Benutzen Sie diesen Heizer NICHT, wenn ein Teil in Wasser eingetaucht war. Sofort einen qualifizierten Servicetechniker anrufen, um den Heizer zu überprüfen und die Teile des Bedienungssystems und des Gasreglers zu ersetzen, die in Wasser eingetaucht waren.
- Bei Verwendung ohne ausreichende Verbrennungsluft und Lüftung, kann dieses Heizgerät übermäßiges KOHLENMONOXID, ein geruchloses, giftiges Gas, abgeben.
- Manche Personen - schwangere Frauen, Personen mit Herz- oder Lungenerkrankungen, Blutarmut, Personen unter Einfluss von Alkohol oder in Höhenlagen - sind mehr von Kohlenmonoxid betroffen als andere.
- Wenn das Heizgerät auf den Boden gestellt wird, vergewissern Sie sich, dass der Boden eben ist und halten Sie alle Gegenstände mindestens 24 Zoll (60,96 cm) von der Vorderseite des Heizgerätes entfernt. DAS GERÄT WÄHREND DES EINSATZES NICHT BEWEGEN, DA STÖSSE UND ERSCHÜTTERUNGEN EVENTUELL DIE TIPP-SICHERHEITSVORRICHTUNG AKTIVIEREN KÖNNTEN. LASSEN SIE DAS HEIZGERÄT NICHT UNBEAUFICHTIGT, WENN KINDER IN DER NÄHE SIND, DIE DEN HEIZER UMKIPPEN KÖNNTEN. NIEMALS DAS HEIZGERÄT BETREIBEN, WENN SIE SCHLAFEN!

SCHWINDENDER GERUCHSSINN - WARNUNG

WARNUNG



Erstickungsgefahr

- Nicht in ungelüfteten Bereichen verwenden.
- Die Strömung der Verbrennungsluft und Belüftung darf nicht behindert werden.
- Ausreichende Belüftung muss vorhanden sein, um die Verbrennungsluft-Anforderungen des Heizgerätes zu erfüllen.
- Beziehen Sie sich auf den technischen Daten Abschnitt, Typenschild, in der Bedienungsanleitung oder kontaktieren Sie die Fabrik, um sich über die Verbrennungsluft-Ventilationsanforderungen zu informieren.
- Mangelnde Belüftung kann zu unsachgemäßer Verbrennung führen.
- Unsachgemäße Verbrennung kann eine Kohlenmonoxid- Vergiftung verursachen, die zu schweren Verletzungen und Tod führen kann. Symptome einer Kohlenmonoxid- Vergiftung äußern sich unter anderem in Kopfschmerzen, Schwindel und Atembeschwerden.

BRENNGAS-GERUCH

Propangas (G31) und Butan/Propan-Gasgemische (G30+G31) enthalten Gerüche, die speziell zur Erkennung von Brenngasleck beigefügt werden. Falls ein Gasleck auftritt, sollten Sie in der Lage sein es zu riechen. Da Propan (G31) schwerer als Luft ist, sollten Sie den Gasgeruch nahe am Boden riechen. JEDLICHER GASGERUCH DIEN T ALS SIGNAL FÜR SOFORTIGE HANDLUNG!

- Tun Sie nichts, was das Gas entzünden könnte. Keine elektrischen Schalter betätigen. An keinem Netzteil oder Verlängerungskabel ziehen. Keine Streichhölzer oder andere Brandquellen anzünden. Benutzen Sie nicht Ihr Telefon.
- Evakuieren Sie jeden aus dem Gebäude und dem umliegenden Bereich.
- Schließen Sie alle Propan- (G31) Gastank- oder Brennstoff-Versorgungsventile an der Kartusche oder dem Hauptgas-Versorgungsventil, das sich an Ihrem Zähler befindet, falls Sie Erdgas verwenden.

- Propangas (G31) ist schwerer als Luft und kann sich in niedrig gelegenen Bereichen ansammeln. Wenn Sie ein Propanleck vermuten, vermeiden Sie alle niedrigen Bereiche.
- Verwenden Sie das Telefon Ihres Nachbarn und rufen Sie Ihren Brennstoffgaslieferanten und die Feuerwehr an. Gehen Sie nicht zurück ins Gebäude oder den umliegenden Bereich.
- Bleiben Sie dem Gebäude und den umliegenden Bereich fern, bis die Feuerwehrleute und Ihr Brennstoffgaslieferant es als sicher erklären.
- ZU GUTER LETZT, Lassen Sie den Brenngas-Techniker und die Feuerwehrleute nach entkommenem Gas suchen. Lassen Sie das Gebäude und den umliegenden Bereich von ihnen auslüften, bevor Sie zurückgehen. Sachgemäß geschulte Service-Leute müssen eventuelle Undichtigkeiten beheben, nach weiteren Leckagen suchen und dann das Gerät wieder für Sie anzünden.

SCHWINDENDER GERUCHSSINN - KEIN GERUCH FESTGESTELLT

- Manche Menschen können nicht gut riechen. Manche Menschen können den chemischen Zusatzstoff, der dem Propan(G31) beigefügt wird, nicht riechen. Sie müssen herausfinden, ob Sie den Zusatzstoff riechen können.
- Lernen Sie, wie Sie den Geruch von Propangas (G31) erkennen können. Lokale Propangas (G31) Händler geben Ihnen gerne eine Duftlack-Broschüre. Benutzen Sie sie, um sich mit dem Brenngasgeruch vertraut zu machen.
- Rauchen kann Ihren Geruchssinn verringern. Wenn man einem Geruch über längere Zeit ausgesetzt ist, kann sich die Empfindlichkeit zu diesem Geruch verringern. Tiergeruch in Gebäuden kann den Gasgeruch verdecken.
- **Der Geruchstoff in Propangas (G31) ist farblos und die Intensität des Geruchs kann unter bestimmten Umständen vermindert werden.**
- Falls es ein Untergrund-Leck gibt, kann der Geruch des Zusatzstoffes durch die Erde herausgefiltert werden.
- Propangas (G31)-Geruch kann auf verschiedenen Ebenen in der Intensität abweichen. Da Propangas (G31) schwerer als Luft ist, kann der Geruch auf niedrigeren Ebenen eventuell stärker sein.
- **Seien Sie beim geringsten Gasgeruch immer wachsam.** Wenn der Gasgeruch, egal wie schwach, anhält, tun Sie was Sie bei einem ernsthaften Leck tun würden. Handeln Sie sofort, wie oben erwähnt.

ACHTUNG - KRITISCHE PUNKTE ZUM EINPRÄGEN!

- Propangas (G31) oder Butan/Propan-Gemisch (G30+G31) hat einen unverwechselbaren Geruch. Lernen Sie, diese Gerüche zu erkennen. (Beziehen Sie sich auf die oben erwähnten Abschnitte in Bezug auf Brenngas-Gerüche- und Schwindender Geruchssinn.)
- Selbst wenn Sie nicht ausreichend in der Wartung und Reparatur des Heizgerätes geschult sind, seien Sie sich der Gerüche von Propangas(G31) und Erdgas IMMER bewusst.
- Wenn Sie nicht ausreichend in der Wartung und Reparatur des Propangas(G31) oder Butan/Propan-Gemisches(G30+G31) geschult sind, versuchen Sie nicht das Heizgerät anzuzünden, zu warten oder zu reparieren oder jegliche Einstellungen am Heizgerät, am Propan (G31) oder Butan/Propan-Gemisch(G30+G31)- Gaszufuhrsystem vorzunehmen.
- Ein regelmäßiger Riechtest rund um das Heizgerät oder den Gelenken des Heizers; d.h. Schlauch, Anschlüsse, usw., ist unter allen Umständen eine gute Sicherheitspraktik. Selbst wenn Sie nur ein wenig Gas riechen, KONTAKTIEREN SIE IHREN GASLIEFERANTEN UMGEHEND. WARTEN SIE AUF KEINEM FALL!

ALLGEMEINE INFORMATIONEN:

- Dieses Heizgerät ist für kleine Freizeitweck-Bereiche, wie z. B. Zelte, Hütten, Fischerhütten und geschlossene Veranden, die eine Verbrennungsluftzufuhr und Lüftung haben, sicher. Es kann für den Notfall als Raumheizung dienen, solange es an eine 1 Pfund (465g) Propan- (G31) ODER an eine 450g Butan/Propan-Gemisch (G30+G31)-Kartusche angeschlossen ist; und für den Innenbereich von gewerblichen Anlagen, wie z. B. Bauwagen oder befristeten, wetterfesten Arbeitsbereichen, solange eine Verbrennungsluftzufuhr und Lüftung vorhanden ist.


Anmerkung: Das Heizgerät kann zwar im Freien benutzt werden, könnte aber bei bestimmten Windbedingungen ausgehen.

- Sollte das Heizgerät kalt sein oder Zimmertemperatur haben, dauert es ein paar Minuten bis der Brennstein hell orange wird. Das ist normal; das Gerät funktioniert ordnungsgemäß. Sollte der Brennerstein sichtbar lodern, schalten Sie den Heizer ab und rufen Sie einen qualifizierten Servicetechniker an.
- Wenn das Gerät eingeschaltet ist, sollte ein ca. Viertel Zoll (1/4" - 0,635 cm) weiter Rahmen um die Fliese herum nicht hell orange leuchten. Das ist normal.
- Wenn das Heizgerät zum ersten Mal verwendet wird, kann sich die Oberseite des Reflektors verfärben. Das ist normal und kein Grund zur Besorgnis.
- Bei Betrieb des Heizers in Höhen über 7,000 FT (2,13km) über dem Meeresspiegel, brennt das Gerät möglicherweise nicht so hell niedrigeren Lagen. Das ist normal. In höheren Lagen kann das Heizgerät eventuell ausgehen. Wenn dies geschieht, ermöglichen Sie eine frische Luftzufuhr, warten 5 Minuten lang und stellen das Gerät wieder ein. Aufgrund örtlicher atmosphärischer Bedingungen ist es möglich, dass der Heizer nicht wieder angeht.
- Die Betriebszeit variiert je nach Einstellung des Heizgerätes und Kartuschengröße. Bis zu 3 bis 6 Stunden bei einer 1 Pfund Propan (G31)-Kartusche oder 3 bis 6 Stunden bei einer 450g 70/30 Butan/Propan-Gemisch (G30+G31)-Kartusche. Bis 48 zu 110 Stunden bei einer 20 Pfund(5KG)-Kartusche (aufgrund von „HOCH“ und „Niedrig“-Einstellungen). Aufgrund der Eigenschaften von Propangas (G31), können die Betriebszeiten merklich reduziert werden, wenn in Dauerbetrieb bei Temperaturen unter 20°F.
- Dieses Heizgerät ist mit einem Tipp-Sicherheitsschalter ausgestattet. Wenn das Gerät angestoßen oder verschoben wird, kann es zu lästigen Abschaltungen kommen. Sollte das passieren, stellen Sie den Heizer einfach wieder an.
- Aufgrund der Funktionsweise kleiner Tanks, kann sich auf dessen Oberfläche Kondenswasser ansammeln, was dann auf die Oberfläche unter des Gerätes tropfen kann. Manchmal kann das Kondenswasser frieren, was durch die Verdampfung des Propangases (G31) hervorgerufen wird. Das ist normal und kein Grund zur Beunruhigung.

ANZÜNDEN / BEDIENUNGSANLEITUNG ZUM GEBRAUCH MIT EINWEG 1 PFUND PROPAN(G31) ODER 450G 70/30 BUTAN/PROPAN-GEMISCH(G30+G31)-KARTUSCHEN:

WARNUNG: Überprüfen Sie die Propan-Kartusche und die Heizgerät-Propan/Butan-Adapteranschlüsse immer auf Beschädigung, Schmutz und Ablagerungen, bevor Sie die

Propan-Kartusche anbringen. Nicht benutzen, wenn der Kopf der Kartusche beschädigt, durchlöchert oder verschlissen ist. **IMMER DIE KARTUSCHE IM FREIEN UND IN SICHERER ENTFERNUNG VON FLAMMEN, ANDEREN PERSONEN UND ANDEREN ZÜNDQUELLEN ANSCHLIESSEN ODER ENTFERNEN UND NUR DANN, WENN SICH DAS HEIZGERÄT KÜHL ANFÜHLT. BEIM AN- UND ABNEHMEN DER PROPAN (G31)-KARTUSCHE UND DEM BUTAN/PROPAN-GEMISCH (G30+G31), ODER BEI FERNKOPPELUNGEN, NIEMALS RAUCHEN!**

- Verwenden Sie nur 16,4 Unze (1 Pfund/465g) Einwegkartuschen, die an einen Nr. 600-Ventilanschluss oder ein Butan/Propan (G31) (70/30)-Gemisch mit einem Typ-7/16-28 ENEF-2B-Gewinde angeschlossen werden kann.
- Überprüfen Sie, ob die Dichtungen (zwischen dem Gerät und der Gaskartusche) am richtigen Platz und in gutem Zustand sind, bevor Sie die Gaskartusche anschließen. Abbildung 4. Kein Gerät benutzen, das beschädigt ist oder abgenutzte Dichtungen hat. Kein Gerät verwenden, das undicht oder beschädigt ist oder nicht ordnungsgemäß funktioniert.
- Vergewissern Sie sich, dass der  Bedienungsknopf in der „AUS“-Position ist: siehe Abbildung 1.

- Propangebrauch: Für praktische Tank-Installation, den Regler nach außen drehen. Eine 1 Pfund (465g) Einweg-Propangas (G31)-Kartusche im Uhrzeigersinn (von unten) in das portable Heizgerät schrauben, bis es handfest sitzt; siehe Abbildung 2. KEIN Gewindedichtmittel an diesem Anschluss verwenden.
- Butan/Propan-Gemisch-Gebrauch (G30+G31): Den Messingadapter im Uhrzeigersinn in den portablen Heizgerätregler schrauben (von unten), bis er fest sitzt. Siehe Abbildung 4. Kein Gewindedichtmittel an diesem Anschluss verwenden. Die Butan/Propan-Gemisch-Kartusche in den Adapter einschrauben (im Uhrzeigersinn); sobald der Adapter-Schaft sich zu drehen beginnt, ist die Kartusche angeschlossen und kann in den Ständer gesetzt werden.

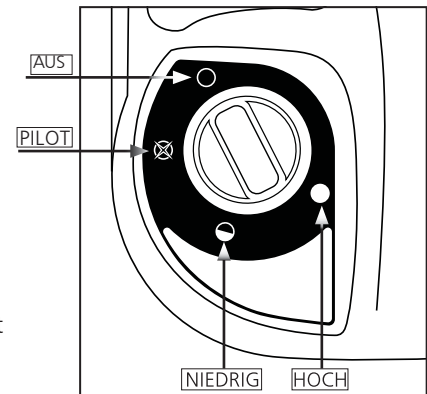


Abbildung 1: Control Knob

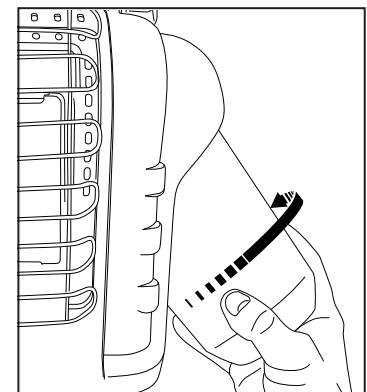


Abbildung 2: Den Gastank befestigen

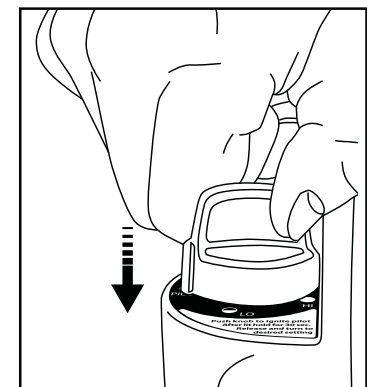


Abbildung 3: Zündung

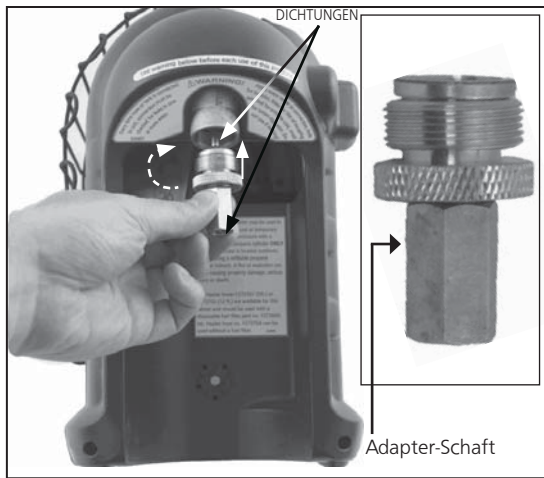


Abbildung 4: „Butan Adapter“

- Die Anschlüsse für Adapter und Kartusche an der Gewebeverbindung unter der gewölbten Kunststoffabdeckung, wo die Kartusche in den Regler geschraubt wird, mit Seifenwasser auf Dichtheit überprüfen. SIEHE WARNUNG! AN DER GEWÖLBTEN PLASTIKABDECKUNG.
- Den Schalter entgegen dem Uhrzeigersinn auf die „PILOT“-Position drehen und zum Anzünden herunterdrücken; siehe Abbildung 1 und Abbildung 3.
- Sollte das Heizgerät nicht zünden, ca. 30 Sekunden lang drücken; los lassen und wieder drücken. Solange wiederholen, bis der Pilot angezündet ist.
- Nachdem die Pilotflamme an ist, 30 -60 Sekunden lang drücken und dann den Schalter los lassen. Den Schalter wieder vollständig auf die ausgefahrene Position drehen. Um das Heizgerät zu betreiben, den Schalter leicht drücken und langsam auf die „HOCH“- Position drehen, um die Brennliese anzuzünden. Solange auf der „HOCH“- Position lassen, bis die Brennliese hell orange scheint. Abbildung 5.

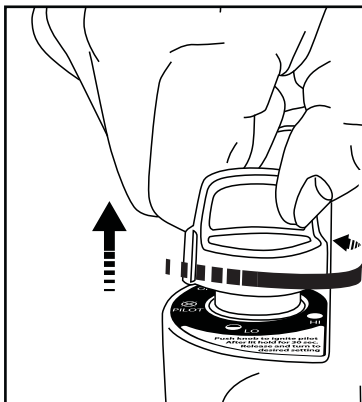


Abbildung 5: „Auslöseknopf“

- ANMERKUNG:** Aufflackern ist beim Anzünden des Gerätes üblich. Das Gesicht und brennbare Gegenstände von dem Gerät fern halten.
- Nachdem die Brennliese hell orange ist, die Heizleistung mit dem Kontrollschalter auf die gewünschte Position („NIEDRIG“ oder HOCH“ einstellen). Abbildung 1.

⚠ Warnung:

DAS HEIZGERÄT NICHT BETREIBEN, ES SEI DENN DER KONTROLLSCHALTER IST IN VERRIEGELUNGSPPOSITION, MIT „HOCH“ , „NIEDRIG“ ODER „PILOT“ MARKIERT. NIEMALS DEN KONTROLLSCHALTER ZWISCHEN VERRIEGELUNGSPPOSITIONEN LASSEN. DIES KÖNNTE ZU SCHLECHTER VERBRENNUNG UND HÖHEREN KOHLENMONOXID-WERTEN FÜHREN.

- Um das Heizgerät auszuschalten, den Kontrollschalter leicht im Uhrzeigersinn auf die „AUS“ Position drücken.
- VORSICHT: Griffbare Teile können sehr heiß werden. Die

Schutzvorrichtung ist am Gerät angebracht, um ein Brand- oder Verletzungsrisiko zu verhindern; kein Teil darf über längere Zeit entfernt werden. DIES BIETET KEINEN VOLLSTÄNDIGEN SCHUTZ FÜR KLEINKINDER ODER KRANKE. Vor dem Wegstellen, das Gerät vollständig abkühlen lassen.

- Den Schalter auf die „AUS“-Position stellen. Sicherstellen, dass die Brenner aus sind, bevor die Gaskartusche abgenommen wird.
- ABNEHMEN DER PROPAN (G31)-KARTUSCHE: Die Kartusche vom Ständer nehmen und entgegen dem Uhrzeigersinn drehen, bis sie völlig vom Heizgerät abgeschraubt ist.
- ABNEHMEN DER BUTAN/PROPAN-GEMISCH (G30+G31)-KARTUSCHE: Die Kartusche vom Ständer nehmen und entgegen dem Uhrzeigersinn drehen, bis sie völlig vom Adapter abgeschraubt ist.
- Sobald die Kartusche entnommen ist, kann der Butan-Adapter entgegen dem Uhrzeigersinn abgeschraubt werden, bis er völlig vom Heizgerät losgeschraubt ist.
- Die Kartusche nicht in der Nähe von brennbaren Gegenständen oder Zündquellen aufbewahren oder abnehmen. Die Kartuschen nur in einem gut belüfteten Bereich, vorzugsweise im Freien, und entfernt von jeglichen Zündquellen, wie offene Flammen, Piloten, Heizsonnen und anderen Personen, austauschen.
- Propan-GAS (G31) oder Butan/Propan-Gemisch (G30+G31)-Kartuschen MÜSSEN VOM HEIZGERÄT ABGENOMMEN WERDEN, WENN NICHT IN GEBRAUCH! Überprüfen Sie die Dichtungen, bevor Sie eine neue Gaskartusche am Gerät anbringen.

WARTUNG:

WENN DAS GERÄT FÜR LÄNGERE ZEIT NICHT BENUTZT WIRD, MÜSSEN BESONDERE VORKEHRUNGEN GETROFFEN WERDEN:

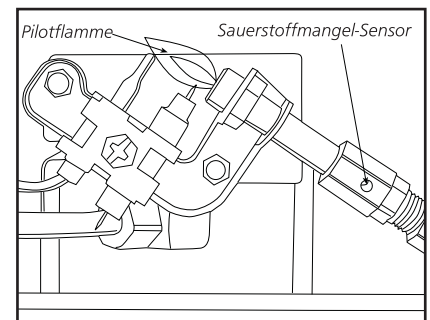


Abbildung 6

Sobald es abgekühlt ist, das Heizgerät in einer Reißverschluss tasche oder an einem staubfreien Ort aufbewahren.

Zwischen den Einsätzen, das Heizgerät in einer Reißverschluss tasche oder in einem anderen geschlossenen, staubfreien Bereich aufbewahren.

Die Lüftungsbereiche (Schlitze im Boden und auf der Oberseite des Heizgerätes) zu jeder Zeit frei halten.

Während Gebrauch, in regelmäßigen Abständen eine Sichtprüfung der Pilotflamme und des Brenners vornehmen. Die Pilotflamme muss blau (nicht gelb) sein und bis zum Thermoelement hin reichen. Die Flamme umzingelt das Thermoelement direkt unter der Spitze, siehe Abbildung 3.

Eine leichte, gelbe Flamme kann erscheinen, wo sich Pilot- und Hauptbrennerflamme treffen. Der Brenner sollte hell orange (mit einem leichten Blau um den Rand herum; ein auf der Keramikfliese sichtbarer rot-oranger Dunst, ist akzeptabel) und ohne merkliche Flamme sein. Eine blaue Flamme an der Oberseite der Keramikfliese deutet auf eine Ansammlung von Staub, Flusen oder Spinnweben in der Gehäuseanordnung und der Hauptbrennereinheit hin. Wenn die Pilotflamme gelb ist und der Brenner eine merkliche Flamme aufweist, könnte eine

Reinigung nötig sein. Überprüfen Sie die Gehäuseanordnung und die Hauptbrennereinheit folgendermaßen:

Es ist notwendig, dass die Flammenöffnung und das Brenner-Venturirohr regelmäßig überprüft werden, um sicherzustellen, dass sie von Dingen wie Insektenestern und Spinnweben, die sich im Laufe der Zeit ansammeln können, frei sind. Eine verstopfte Röhre kann zu Brandgefahr führen.

- 1 Vor einer Wartung muss das Heizgerät vollständig abgekühlt sein.
- 2 Die Kartusche aus dem Heizgerät herausnehmen oder die Gasversorgung am Remote-Kartuschen-Ventil auf AUS drehen und den Schlauch vom Heizgerät abnehmen.
- 3 Die vier (4) Schrauben, die die Schutzvorrichtung des Heizgerätes auf der Rückseite festhalten, herausschrauben.
- 4 Die Abdeckung von der Unterseite nach außen drehen. Die 2 oberen Klemmen losmachen. Zur Seite legen.
- 5 Die vier (4) Brennerbefestigungsschrauben entfernen und die Gasleitung von der Brennereinheit abnehmen. Die Brennereinheit von der Rückseite des Gehäuses entfernen.
- 6 Das Innere der Gehäuseeinheit auf Staub-, Flusen- und Spinnwebansammlung überprüfen. Wenn nötig, den Innenbereich der Gehäuseeinheit mit einem Staubsauger oder mit Pressluft reinigen. Die Komponenten in der Gehäuseeinheit beim Reinigen nicht beschädigen.
- 7 Die Hauptbrenneröffnungen (in den Öffnungshalter eingefädelt) prüfen und reinigen. Der Öffnungshalter ist mit zwei (2) Schrauben an der Brennereinheit-Venturiröhre angebracht.
- 8 Den Piloten (an einer Halterung befestigt) prüfen und mit einem Staubsauger oder Pressluft durch die Löcher im Piloten reinigen; durch Pfeile markiert in Abbildung 6.
WARNUNG: Zur Reinigung des Piloten, niemals Nadeln, Drähte oder ähnliche zylindrische Objekte verwenden, um eine Beschädigung des kalibrierten Rubin, der die Gasströmung durch die Steueröffnung leitet, zu verhindern.
- 9 Verwenden Sie Pressluft (max. 30 Pa) an den Keramikfliesen der Brenneinheit und der Venturi-Röhre (Ref. Teil #16), um Staub, Flusen und Spinnweben zu entfernen.
- 10 Den Hauptbrenner-Öffnungshalter wieder an der Brennereinheit anbringen.
- 11 Die Brennereinheit wieder im Heizgerät-Gehäuse anbringen.
- 12 Die Gasleitung wieder anschließen und auf Leckagen prüfen.
- 13 Die Rückseitenabdeckung wieder am Heizgerät anbringen.

INFORMATION ZUR FEHLERSUCHE:

Wenn die Zündkerzenelektrode keine Funken erzeugt.

ÜBERPRÜFEN

- Die Zündkerzenelektrode ist beschädigt – ODS (Sauerstoffmangel-Sensor) ersetzen.
- Der Zünddraht ist möglicherweise nicht mit der Zündkerzenelektrode verbunden; das Erdungskabel ist möglicherweise nicht am Rahmen angeschlossen- wieder anschließen.
- Der Zünddraht ist beschädigt – ersetzen.
- Piezo-Zünder ist defekt – die Gasventilordnung ersetzen.

Wenn die Zündkerzenelektrode Funken erzeugt aber der Pilot nicht zündet.

ÜBERPRÜFEN

- Keine Gaszufuhr zum Heizgerät – Einwegkartusche anbringen oder den Schlauch am Ventil der Remote-Kartusche anschließen.
- Die "PILOT"-Position ist nicht richtig eingestellt – Den Gaskontrollschalter auf die "PILOT"-Position drehen und runterhalten.
- Der Pilot durch Spinnweben oder Schmutz blockiert – Pilot reinigen, siehe WARTUNG.

Wenn die Zündkerzenelektrode Funken erzeugt aber der Pilot nicht zündet.

ÜBERPRÜFEN

- Der Kontrollschalter in der „PILOT“-Position ist nicht vollständig nach unten gedrückt oder wurde nicht lange genug runtergehalten, um die Luft aus der Leitung zu spülen.
- Die Pilotflamme umzingelt nicht das Thermoelement – Pilot reinigen, siehe WARTUNG.
- Die Pilot-Einheit ist defekt – ersetzen.
- Tippschalter-Drähte sind nicht angeschlossen – anschließen.

Wenn der Hauptbrenner nicht zündet.

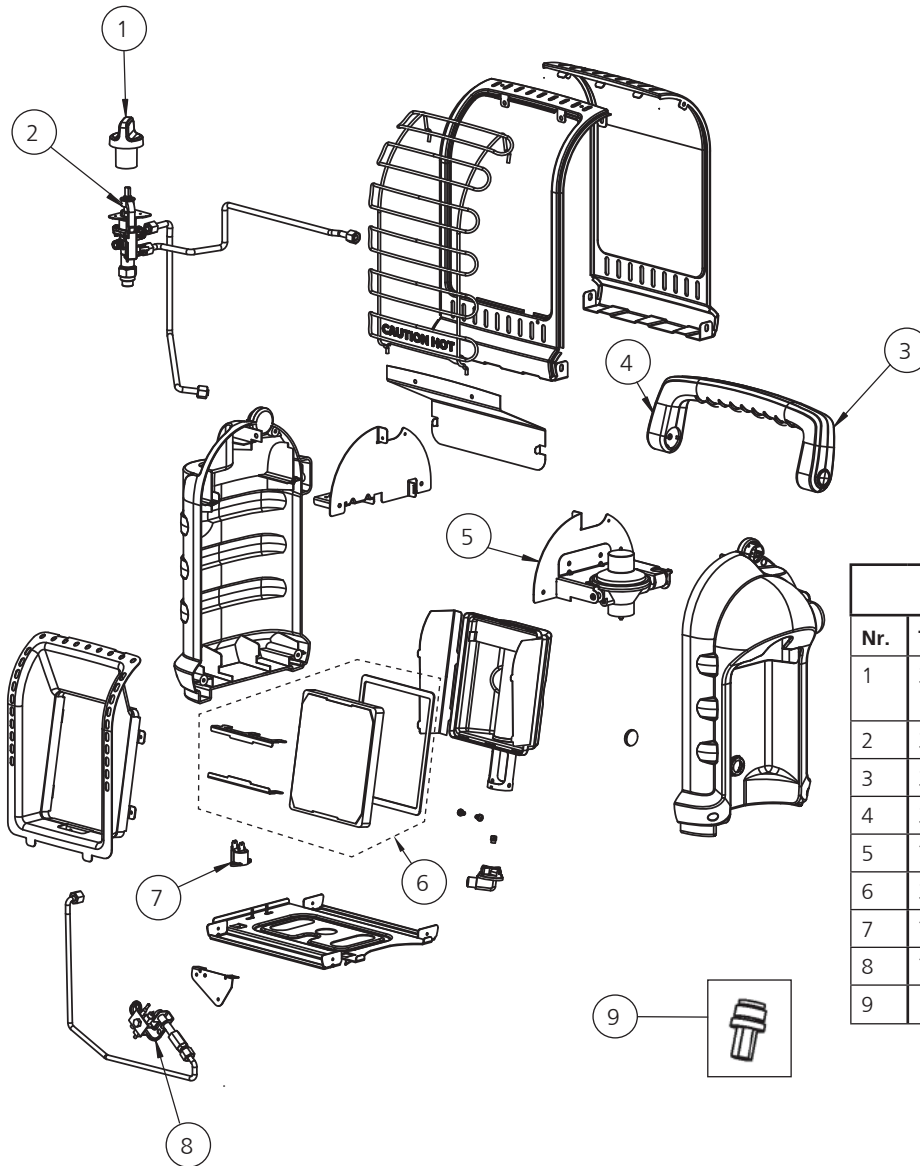
ÜBERPRÜFEN

- Hauptbrenner-Öffnung ist blockiert – Brenner reinigen, siehe WARTUNG.

Wenn das Heizgerät während des Normalbetriebs ständig ausschaltet.

ÜBERPRÜFEN

- Pilot ist blockiert – Pilot säubern, siehe WARTUNG.
- Eine Mindestfrischluftöffnung von 9 Quadratzoll (15,24 Quadratcentimeter) (Beispiel 3" (7,62 cm) x 3" (7,62 cm)-Öffnung).
- Der Tippschalter wird durch Stoßen der Heizung aktiviert. Wieder anzünden
- Der Regler ist defekt - Regler ersetzen.
- Interne Verschmutzung - Kontrollventil und Regler ersetzen.
- Für weitere Informationen, den technischen Service anrufen.



ERSATZTEILLISTE:

Nr.	Teil#	Beschreibung
1	32017	Schalter, Ventil, Sicherheitsvorrichtung, Rotes
2	32054	Ventil, Einheit, Steuergriff
3	32015	Rückseite, Plastik, Grau
4	32014	Griff, Vorderseite, Plastik, Grau
5	75198	Einheit, Regler, mit/Aufsatz
6	33088	Fliese, Ersatz-Kit, H9BXDF
7	73403	Schalter, Tipp
8	73396	ODS, Pilot, Einheit
9	15164	Butan-Adapter

ZUGELASSENES MR. HEATER ZUBEHÖR (separat erhältlich)

TEIL #	BESCHREIBUNG
32008	5 Fuß (1,52m) PROPANSCHLAUCH-EINHEIT (Drehgelenk 1"-20 Male Einwegxulinder Thd. X P.O.L. mit/Handrat) (Empfohlene Verwendung mit Kraftstofffilter.)
F273699	Kraftstofffilter (Jährlich ersetzen)



OPERATING INSTRUCTIONS AND OWNER'S MANUAL

Modell #
MH8BXDF



WARNUNG:

NUR ERSATZTEILE VOM HERSTELLER VERWENDEN. GEBRAUCH VON ANDEREN ERSATZTEILEN KANN ZU VERLETZUNGEN UND TOD FÜHREN. ERSATZTEILE SIND NUR DIREKT VON DER FABRIK ERHÄLTICH UND MÜSSEN VON EINER QUALIFIZIERTEN SERVICE-AGENTUR INSTALLIERT WERDEN. DER MR. HEATER 32008-SCHLAUCH WURDE SPEZIELL FÜR DEN GEBRAUCH MIT DIESEM HEIZGERÄT UND DEM F273699 EINWEG-GAS-FILTER (JÄHRLICH ERSETZEN) ENTWICKELT. DER GEBRAUCH VON ANDEREN SCHLÄUCHEN KANN DAS HEIZGERÄT FUNKTIONSunFÄHIG MACHEN.

INFORMATION ZUR ERSATZTEILBESTELLUNG:

EINKAUF: Zubehörteile können durch www.mrheater.com und von lokalen Händlern erworben werden

FÜR INFORMATION IN BEZUG ZU EINEM SERVICEBESUCH: WWW.mrheater.com

Unsere Bürostunden sind 8:00 Uhr – 17:00 Uhr, EST, Montag bis Freitag.

Sie können sich mit einem Mitarbeiter des technischen Kundendienstes über die Webseite unterhalten: www.mrheater.com

Geben Sie bitte Modellnummer, Kaufdatum und Beschreibung des Problems an.

BEGRENZTE GARANTIE

Mr. Heater, Inc. gewährleistet seine Heizgeräte und Zubehör frei von Material- und Herstellungsfehler für einen Zeitraum von 1 Jahr ab Kaufdatum. Mr. Heater, Inc. repariert oder ersetzt dieses Produkt kostenlos, wenn die Beschädigung innerhalb des 1-Jahreszeitraums erwiesen wurde und mit Kaufbeleg zum Fachhändler zurückgebracht wird.

Mr. Heater, Inc. behält sich das Recht vor, Änderungen jederzeit und ohne vorherige Ankündigung, in Farben, Spezifikationen, Zubehör, Materialien und Modellen vorzunehmen.

In folgenden Ländern erhältlich:



PRODUKTREGISTRIERUNG: Danke für Ihren Einkauf.
Bitte loggen Sie sich bei <http://www.egiregistration.com> ein, um Ihr Produkt zu registrieren.

MR. HEATER, INC., 4560 W. 160TH ST., CLEVELAND, OHIO 44135 USA • 800-251-0001
Mr. Heater und Portable Buddy sind eingetragene Warenzeichen von Enerco Group, Inc.
© 2015, Enerco/Mr. Heater. Alle Rechte vorbehalten



MODE D'EMPLOI ET MANUEL DU PROPRIETAIRE



JOYEUX RECHAUFFEUR COPAIN PORTABLE

Modèle

MH8BXDF

IMPORTANT: Lisez attentivement ce mode d'emploi afin de vous familiariser avec l'appareil avant de le connecter à sa cartouche de gaz. Gardez ces instructions pour votre référence future.



**UTILISEZ LE
RECHAUFFEUR AVEC
SEULEMENT UNE
CARTOUCHE FILETEE**



Cartouche de (1 livre (450g) de Gaz Propane (G31) : pas incluse)

RECHAUFFEUR A PROPANE PORTABLE
(G31) ET UN MELANGE DE BUTANE /
PROPANE (G30 + G31) POUR UNE USAGE
INTERIEUR RECREATIF, COMMERCIAL ET
CELUI DE CAS D'URGENCE

LANGUES INCLUSES:

ANGLAIS, ALLEMAND, FRANCAIS, ITALIEN, ESPAGNOL, NEERLANDAIS,
PORTUGAIS, RUSSE, POLONAIS, FINNOIS, SUEDOIS, NORVEGIEN,
DANOIS.



Cartouche de (450g) du mélange de Gaz Butane / Propane (G30 + G31) : pas incluse

AVERTISSEMENT: Si les indications dans ce manuel ne sont pas exactement suivies, un incendie ou une explosion peut causer des dommages matériels, des blessures ou la perte de vie.

- Ne stockez ou n'utilisez pas d'essence ou d'autres vapeurs et liquides inflammables à proximité de cet appareil ou tout autre appareil.
- Une cartouche de propane (G31) ou de mélange de butane / propane (G30 + G31) non branchée pour utilisation ne doit pas être stockée dans le voisinage de cet appareil ou de tout autre appareil.
- CE QUE VOUS DEVEZ FAIRE SI VOUS SENTEZ DU GAZ
 - N'essayez pas d'allumer l'appareil..
 - Eteignez toute flamme nue.
 - Coupez le gaz à l'appareil.
- Le service doit être effectué par une agence de service qualifié.

Ceci est un appareil de chauffage portatif alimenté au gaz non ventilé. Il utilise de l'air (oxygène) à partir de la zone dans laquelle il est utilisé. La combustion et l'air de ventilation adéquats doivent être fournis. Reportez-vous à la page 3.

AVERTISSEMENT:

⚠ Chaque fois qu'un réservoir est relié à l'appareil, cette connexion doit être vérifiée à cause des fuites dans une ou plusieurs façons: Appliquez de l'eau savonneuse à la connexion, cherchez les bulles, écoutez le sifflement des fuites de gaz, sentez-vous trop froid, sentez l'odeur d'œuf pourri. Ne l'utilisez pas s'il y a des fuites. Si vous notez qu'il y a une fuite de gaz, mettez immédiatement l'appareil à l'extérieur dans un endroit bien aéré et libre de la flamme où la fuite peut être détecté et arrêté. Toute modification apportée à cet appareil de chauffage ou à ses contrôles peut être dangereuse. Ne modifiez pas l'appareil.

AVERTISSEMENT:

⚠ Les premiers signes d'intoxication au monoxyde de carbone ressemblent à la grippe, les maux de tête, des vertiges et / ou des nausées. Si vous avez ces signes; peut-être que le réchauffeur ne fonctionne pas proprement. Posez-vous immédiatement à l'air frais!

AVERTISSEMENT:

⚠ Si l'enceinte récréative ou commerciale n'a pas de fenêtre ou d'évent de toit, N'utilisez cet appareil à l'intérieur. Utilisez-le uniquement dans un endroit bien ventilé.

TABLES DES MATIERES

Instructions générales sur la sécurité	2
Avvertissement sur la déclin d'odeur	3
Informations générales	4
Fonctionner avec Cartouches de propane jetables	4
Fonctionner avec tuyau relié à la cartouche à distance	5
Entretien	6
Dépannage	7
Liste des pièces	8
Informations sur la commande des pièces	9
Informations de service	9

SPECIFICATIONS

No DE MODELE.....	MH8BXDF
TYPE DE GAZ...Gaz Propane (G31) tels que Coleman et 70/30 de Butane / Mélanges de gaz Propane (G30 + G31) tels que les Gaz de puissance Primus.	
ENTREE BTU / h.	1,17 kW (4000)/2,4 kW (8000)
DISTANCE PAR RAPPORT AUX MATIERES COMBUSTIBLES POUR LA GAMME DE CHAUFFAGE	
LE TOP.....	30po./76,2 cm
L'AVANT	24po./60,96 cm
LES COTES	6po./15,24 cm
L'ARRIERE.....	0po.

Attention:

- Certains tapis ou surfaces de linoléum peuvent se décolorer si le réchauffeur est directement placé sur ces revêtements de plancher.
- Lorsque vous utilisez l'appareil de chauffage à des altitudes de plus de 7000 pieds (2,13 km) au-dessus du niveau de la mer le réchauffeur peut se couper. (Veuillez lire les informations générales).

AVERTISSEMENT:

- Cet appareil ne doit être utilisé avec du propane Pression de vapeur de 100% (G31) ou Mélange du Butane / Propane 70/30 (G30 + G31) combustibles. Il peut être dangereux de tenter de faire entrer d'autres types de cartouches de gaz.

INSTRUCTIONS GENERALES DE SECURITE

CELUI-CI UN APPAREIL DE CHAUFFAGE. N'UTILISEZ PAS CET APPAREIL SANS AVOIR MONTE UN CACHE-CABLE A L'AVANT. NE TENTER PAS DE CHAUFFER OU CUIRE DES ALIMENTS EN UTILISANT CET APPAREIL.

- N'utilisez pas d'accessoires non approuvés à cet appareil de chauffage et ne modifiez pas l'appareil.
- En raison des températures élevées, l'appareil devrait être situé hors de la circulation et loin des matériaux combustibles. (Voir spécifications)
- ATTENTION: les pièces accessibles peuvent devenir très chaudes. Eloignez les petits enfants de l'appareil et les adultes aussi doivent être sensibilisés aux dangers des hautes températures de la surface et devraient rester à l'écart pour éviter les brûlures ou l'inflammation des vêtements.
- Les petits enfants doivent être attentivement surveillés lorsqu'ils sont près de l'appareil.
- Ne mettez pas de vêtements ou d'autres matériaux inflammables sur ou près de l'appareil.
- N'utilisez pas cet appareil dans un véhicule en déplacement, comme les véhicules de loisirs tels que caravanes et autocaravanes. Ne l'utilisez pas dans les appartements de hauteur, des sous-sols, dans les salles de bains ou dans les chambres à coucher.
- Cet appareil peut également être utilisé dans une enceinte commerciale de loisirs ayant une fenêtre ou un évent toit. Il pourra également être utilisé à l'extérieur.
- Cet appareil nécessite un endroit bien aéré de 4 pouces carrés (22,86 cm²) (exemple une ouverture minimale de 3 po./7,62 cm x 3 po./7,62cm) pour une ventilation adéquate pendant le fonctionnement. Ces mesures sont en conformité avec les exigences nationales pour l'alimentation en air de combustion. N'utilisez pas d'autres appareils de chauffage combustible à l'intérieur.
- LA PRESSION DE GAZ AU RECHAUFFEUR EST REGLE ET FIXE A 11 "C.E. (27,4 MILLI MEGABARS) EN TOUT CAS, NE REGLEMENTEZ OU REDUISEZ PAS LA PRESSION D'ALIMENTATION DE CARTOUCHE AU RECHAUFFEUR DE PROPANE (G31) OU UN MELANGE DE BUTANE / PROPANE (G30 + G31)!
- LE REGULATEUR DANS LE RECHAUFFEUR DOIT TOUJOURS ETRE MIS EN SA PLACE PENDANT LE FONCTIONNEMENT.
- Si le cache-câble est retiré pour l'entretien, il doit être remplacé avant de faire fonctionner l'appareil de chauffage.
- L'appareil doit être inspecté avant chaque utilisation. Un

nettoyage fréquent peut être nécessaire. Les compartiments de contrôle, le brûleur et les voies de passage de l'appareil pour la circulation d'air doivent être maintenus propres, voir ENTRETIEN.

- N'utilisez pas cet appareil si une partie a été mouillée d'eau. Appelez immédiatement un technicien de service qualifié pour inspecter l'appareil et pour remplacer toute pièce du système de contrôle et toute commande de gaz qui a été sous l'eau.
- Lorsqu'il est utilisé sans combustion et l'air de ventilation adéquats, ce réchauffeur peut dégager du monoxyde de carbone excessif; un gaz toxique inodore.
- Certaines personnes comme les femmes enceintes, les personnes atteintes de maladie du cœur, du poumon, de l'anémie, celles sous l'influence de l'alcool, celles vivant dans les hautes altitudes sont plus touchées par le monoxyde de carbone que les autres.
- Lorsque le réchauffeur est placé sur le sol, assurez-vous que le sol est de niveau et gardez tous les objets au moins à 24 pouces (60,96 cm) de l'avant de l'appareil de chauffage. NE DEPLACEZ PAS L'APPAREIL LORSQU'IL FONCTIONNE, LES CHOCS AND LES BOSSES PEUVENT ACTIVER LA SECURITE AU BASCULEMENT DU L'APPAREIL. NE LAISSEZ PAS LE RECHAUFFEUR SANS SURVEILLANCE OU LES ENFANTS PEUVENT FAIRE BASCULER L'APPAREIL. NE FAITES JAMAIS FONCTIONNER LE RECHAUFFEUR QUAND VOUS ETES ENDORMI!

AVERTISSEMENT SUR L'ODEUR INSIPIDE

AVERTISSEMENT

Danger d'asphyxie

- N'utilisez pas dans les zones non ventilées.
- Le débit de combustion et d'air de ventilation ne doit pas être obstrué.
- L'air de ventilation adéquat doit être prévu pour supporter les besoins en air de combustion du réchauffeur en utilisation.
- Reportez-vous à la section des spécifications de ce manuel de réchauffeur, sa plaque signalétique, ou contactez l'usine pour déterminer les exigences de ventilation d'air de combustion de l'appareil de chauffage.
- Le manque de ventilation d'air adéquat mènera une combustion inexacte.
- Une mauvaise combustion peut conduire à une intoxication du monoxyde de carbone causant des blessures graves ou la mort. Suite à une intoxication du monoxyde de carbone, les symptômes sont les maux de tête, les étourdissements et on peut aussi y ajouter la difficulté de respirer.

ODEUR DE GAZ DU CARBURANT

Le gaz propane (G31) et/les gaz du mélange propane ou butane (G30 + G31) ont des odorants artificiels ajoutés qui sont spécifiquement destinés à la détection des fuites de gaz combustibles. Si une fuite de gaz se produit, vous devriez être capable de sentir le gaz combustible. Puisque le Propane (G31) est plus lourd que l'air que vous devriez sentir de l'odeur de gaz près du sol. TOUTE ODEUR DU GAZ EST VOTRE SIGNAL DU DEBUT D'EXECUTION IMMEDIATE!

- Ne prenez pas toute mesure qui pourrait enflammer le gaz combustible. Ne faites pas fonctionner les interrupteurs électriques. Ne tirez pas les câbles d'alimentation électrique ou d'extension. N'allumez pas une boîte d'allumettes ou toute autre source de flamme. N'utilisez pas votre téléphone.
- Sortez tout le monde du bâtiment et loin de la zone immédiatement.
- Fermez tout réservoir à gaz propane (G31) ou les vannes

d'alimentation en carburant de la cartouche, ou la valve principale d'alimentation en carburant situé au compteur si vous utilisez le gaz naturel.

- Le gaz propane (G31) est plus lourd que l'air et peut s'étendre dans les basses. Lorsque vous avez des raisons de soupçons qu'un propane fuit, gardez-en hors de toutes les zones basses.
- Utilisez le téléphone de votre voisin et appelez votre fournisseur de gaz combustible et le service contre l'incendie. N'entrez pas dans ce bâtiment ou cette zone.
- Restez en dehors du bâtiment et loin de la zone jusqu'à ce que les pompiers et votre fournisseur de gaz combustible déclarent que l'endroit est en sécurité.
- Enfin, laissez la personne de service de gaz combustible et les pompiers vérifier le gaz échappé. Demandez-leur d'aérer la zone du bâtiment avant votre retour. Les gens de service dûment formés doivent réparer les fuites éventuelles, vérifier plus de fuites, puis vous rallumer l'appareil.

DECLIN D'ODEUR- PAS D'ODEUR DETECTEE

- Certaines personnes ne peuvent pas bien sentir. Certaines personnes ne peuvent pas sentir l'odeur du produit chimique artificiel ajouté au propane(G31). Vous devez déterminer si vous pouvez sentir l'odorant dans ces gaz combustibles.
- Apprenez à reconnaître l'odeur de gaz propane (G31). Les concessionnaires locaux du gaz propane (G31) seront plus heureux de vous donner une égratignure et renifler brochure. Utilisez-le pour vous familiariser de l'odeur de gaz combustible.
- Fumer peut diminuer votre capacité de sentir. Etre aux environs d'une odeur pour une certaine période de temps peut affecter votre sensibilité à cette odeur particulière. Les odeurs présentes dans les bâtiments de confinement animal peuvent masquer l'odeur de gaz combustible.
- **L'odorant se trouvant dans le gaz propane (G31) est inodore et l'intensité de son odeur peut se décolorer sous certains circonstances.**
- S'il ya une fuite souterraine, le mouvement de gaz à travers le sol peut filtrer l'odorant.
- L'odeur du gaz propane (G31) peut différer en intensité aux niveaux différents. Puisque le gaz propane (G31) est plus lourd que l'air, il peut y avoir plus d'odeur à des niveaux inférieurs.
- **Soyez toujours sensible à la moindre odeur de gaz.** Si vous continuez à détecter toute odeur de gaz, peu importe leur petite quantité, traitez-le comme une fuite grave. Prenez immédiatement des mesures en suivant les discussions antérieures.

ATTENTION - POINTS CRITIQUES A SE RAPPELER!

- Le gaz propane (G31) ou le mélange de butane / propane (G30 + G31) a une odeur distincte. Apprenez à reconnaître ces odeurs. (Sections de référence de l'Odeur de Gaz du Carburant et Déclin d'Odeur ci-dessus).
- Même si vous n'êtes pas correctement formé en ce service et en réparation de l'appareil de chauffage, soyez TOUJOURS conscient des odeurs de gaz propane (G31) et de gaz naturel.
- Si vous ne l'avez pas reçu une formation adéquate en réparation et service de gaz propane (G31) ou mélange butane / Propane (G30 + G31), alors ne tentez pas d'allumer le réchauffeur, effectuer des réparations, ou de faire des ajustements à l'appareil sur le système du carburant de gaz propane (G31) ou Mélange butane / Propane (G30 + G31).
- Un test de reniflement périodique autour de l'appareil ou dans les joints du réchauffeur; c.-à-d tuyau, connexions, etc., est une bonne pratique dans toutes les conditions. Si vous sentez même une petite quantité de gaz, N'ATTENDEZ PAS! CONTACTEZ IMMEDIATEMENT VOTRE FOURNISSEUR DE GAZ COMBUSTIBLE.

INFORMATIONS GENERALES:

- Cet appareil de chauffage est sans danger pour une utilisation en intérieur dans de petits enclos de loisirs qui ont les moyens de fournir de l'air de combustion et de ventilation comme des tentes, des cabanes, cabanes de pêcheurs, et porches fermés. Il peut être utilisé pour le chauffage à l'intérieur d'urgence lorsqu'il est connecté au propane (G31) (1livres = 465g) à usage unique ou une cartouche de 450g de mélange de butane /propane (G30 + G31) et pour usage intérieur dans les enceintes commerciales, ayant des moyens de fournir de l'air de combustion et ventilation, comme les remorques de construction ou des cabines temporaires de travail.

Remarque: L'appareil peut être utilisé à l'extérieur, mais peuvent subir des nuisances de coupures automatiques dues aux certaines conditions de vent.

- Lorsque le réchauffeur est froid ou est à température ambiante, il faudra quelques minutes pour que la dalle de brûleur change en orange vif. Ceci est normal et le réchauffeur fonctionne correctement. Si dalle de brûleur est visiblement flamboyant, éteignez l'appareil de chauffage et appelez un technicien qualifié.
- Lorsque l'appareil est allumé, il devrait y avoir une bordure d'environ un quart de pouce (1/4 - 635 cm) autour de la dalle qui ne changera pas en orange vif. Ceci est normal.
- Lorsque vous utilisez le réchauffeur pour la première fois, la zone supérieure du réflecteur peut se décolorer. Ceci est également normal et aucune raison d'inquiétude.
- Lorsque vous utilisez l'appareil de chauffage à des altitudes de plus de 7000 pieds (2,13 km) au-dessus du niveau de la mer, l'appareil peut ne pas brûler aussi brillante que dans des altitudes plus basses. Cela est normal. A des altitudes plus élevées, l'appareil de chauffage peut se couper. Si cela se produit, l'air frais est nécessaire avant d'attendre 5 minutes pour le rallumer. En raison de conditions atmosphériques locales, l'appareil ne peut pas se rallumer.
- Le temps de fonctionnement varie en fonction de réglage du réchauffeur et de taille de la cartouche d'alimentation. Jusqu'à 3 à 6 heures sur une cartouche de propane (G31) d'un 1 livre. ou 3 à 6 heures sur une cartouche d'un mélange de Butane /Propane (G30 + G31). 70/30 de 450gr Jusqu'à 48 à 110 heures sur une cartouche de 20 livres (5kg) (basé sur les réglages «ELEVE» et «BAS»). Grâce aux propriétés de Gaz Propane (G31), les durées de fonctionnement peuvent être considérablement réduites sous un fonctionnement continu à des températures inférieures à 20 F.
- Cet appareil est équipé d'un interrupteur de sécurité de basculement. Les arrêts de nuisance peuvent être vécue si l'appareil est heurté ou déplacé. Si cela se produit, rallumez-le.
- En raison de l'exploitation naturelle de petits réservoirs, la condensation peut se former sur le réservoir et goutter sur la surface sous chauffage. Parfois, cette condensation peut geler en raison d'un froid extrême causé lorsque le propane (G31) se vaporise. Ceci est normal et aucune raison d'inquiétude.

MODE D'EMPLOI/ECLAIRAGE POUR UTILISATION DES CARTOUCHES JETABLES D'1 LIVRE. DE Propane (G31) OU MELANGE DE BUTANE ET PROPANE (G30 + G31) de 450Gr 70/30:

AVERTISSEMENT: Inspectez toujours la cartouche de propane et les connexions d'adaptateur du propane / butane du réchauffeur pour des dommages, la saleté et les débris avant de fixer la cartouche de propane. N'utilisez pas la borne de la cartouche endommagée, perforée ou détériorée. N'utilisez pas si la tête de la cartouche est endommagé, percé ou détériorée.

ATTACHEZ OU DETACHEZ TOUJOURS LES EXTERIEURS DE LA CARTOUCHE LOIN DES FLAMMES, AUTRES SOURCES D'IGNITION, ET UNIQUEMENT LORSQUE L'APPAREIL EST FROIDE AU TOUCHER. NE FUMEZ JAMAIS PENDANT LA FIXATION OU LE RETRAIT LA CARTOUCHE DE PROPANE OU EN FAISANT DES CONNEXIONS A DISTANCE!

- Utilisez uniquement 16,4 oz des cartouches de propane jetables (1 livre / 465g) qui correspond à la connexion de la vanne N 600 ou les mélanges de butane / propane (G30+G31) de (70/30) avec le type de fil de 7 / 16-28 ENEF-2B.

- Vérifiez si les joints (entre l'appareil et le réservoir de gaz) sont en place et en bon état avant de connecter au cartouche de gaz. N'utilisez pas un appareil qui a des joints endommagés ou usés. N'utilisez pas un appareil qui fuit, endommagé ou qui ne fonctionne pas correctement.

- Assurez-vous que 4 Boutons de contrôle de position sont en mode «ETEINT»: voir la figure 1.

- Pour utiliser avec du propane : Le régulateur pivotant vers l'extérieur pour l'installation du réservoir facile. Visser la cartouche d'alimentation de (1 livre= 465g) du gaz Propane jetable (G31) dans le sens horaire (à partir du bas) dans le réchauffeur portatif jusqu'à ce qu'il soit serré; voir Figure 2. N'utilisez un produit d'étanchéité sur cette connexion.
- Pour utiliser avec un mélange de butane / propane (G30 + G31): Vissez l'adaptateur en laiton dans le sens horaire dans le régulateur de l'appareil portatif (du bas) jusqu'à ce qu'il soit serré. Voir Figure 4. N'utilisez pas un produit d'étanchéité sur

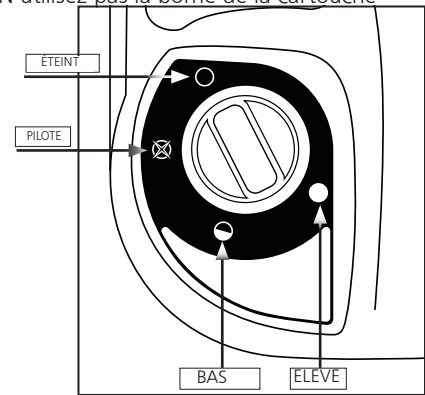


Figure 1 : Bouton de commande

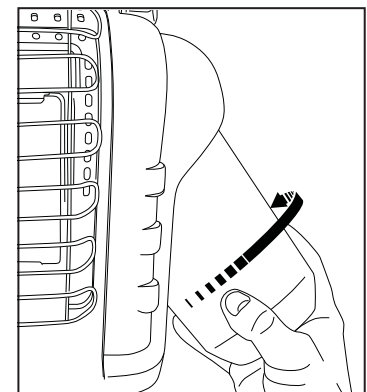


Figure 2 : Attaché au réservoir du carburant

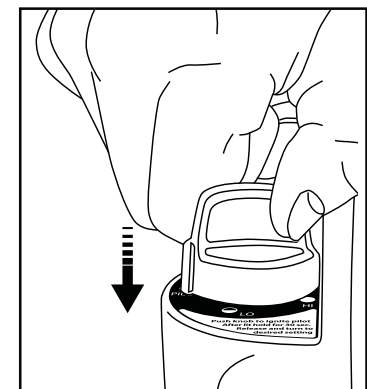


Figure 3 : Ignition

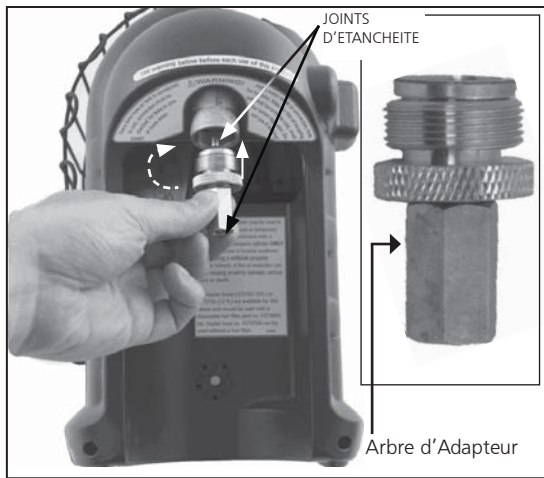



Figure 4 : "Adaptateur de Butane"

cette connexion. Vissez la cartouche du mélange de butane / propane (G30 + G31) dans l'adaptateur (sens horaire), une fois que l'arbre sur l'adaptateur commence à tourner la cartouche, il est maintenant connecté, et alors, montez la cartouche dans le stand.

- Vérifiez les fuites à l'adaptateur et à la connexion du cartouche à l'aide d'eau savonneuse au raccord fileté sous le recouvrement en plastique en forme de dôme où la cartouche visse dans le régulateur.

ATTENTION! VOIR AVERTISSEMENT SUR LE RECOUVREMENT EN PLASTIQUE EN FORME DE DOME.

- Tournez le bouton de commande dans le sens antihoraire à la position «PILOTE»  et appuyez pour mettre à lumière; voir la figure 1 et Figure 3.
- Si le réchauffeur ne s'allume pas, maintenez enfoncée pendant environ 30 secondes; libérez-le puis appuyez à nouveau. Répétez jusqu'à ce que la pilote s'allume.
- Après avoir allumé le gaz pilote, maintenez la touche pendant 30 -60 secondes, puis relâchez le bouton.

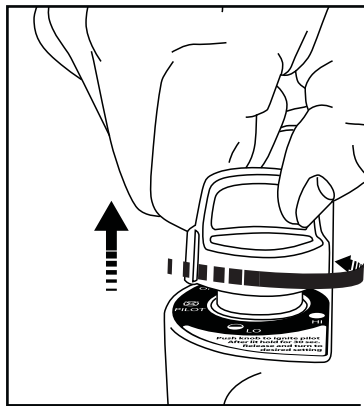









Figure 5 : «Relâchez le bouton».

Le bouton devrait revenir complètement à la position d'extension; Pour utiliser le réchauffeur, appuyez légèrement sur le bouton et tournez doucement pour verrouiller en position «ELEVÉ»  pour éclairer le brûleur. Laissez sur la position «ELEVÉ»  jusqu'à ce que la dalle de brûleur devienne orange vif. Figure 5


REMARQUE: les poussées sont fréquentes lors du premier allumage de l'appareil. Gardez votre visage et les objets inflammables loin de l'appareil.


- Après le changement de la dalle de brûleur en orange vif, ajustez la sortie de chaleur en tournant le bouton de commande à la position de réglage désirée («BAS»  ou «ELEVÉ» ). Figure 1.

Avertissement:

⚠ N'UTILISEZ LE RECHAUFFEUR SAUF SI LE CONTROLE DE BOUTON EST VERROUILLE DANS UNE POSITION MARQUEE «HI» , «LO»  OU «PILOTE» . NE REGLEZ JAMAIS LE BOUTON ENTRE LES POSITIONS VERROUILLEES. UNE COMBUSTION INADEQUATE ET LES NIVEAUX PLUS ELEVES DE MONOXYDE DE CARBONE PEUVENT EN RESULTER.

- Pour éteindre le réchauffeur, poussez légèrement et tournez le

bouton de commande dans le sens horaire jusqu'à la position «ÉTEINT» .

- **ATTENTION:** Les parties accessibles peuvent devenir très chaudes. Le cache-veilleuse de cet appareil est de prévenir les risques d'incendie ou de blessures de brûlures et aucune partie de celle-ci ne devrait être définitivement supprimé. IL NE PROTEGE PAS INTEGRALEMENT LES PETITS ENFANTS OU LES INFIRMES. Laissez-le refroidir complètement avant de le ranger.
- Tournez le bouton à la position «ÉTEINT» . Vérifiez si les brûleurs sont éteints avant de débrancher la cartouche de gaz.
- **POUR ENLEVER LA CARTOUCHE PROPANE (G31):** Retirez la cartouche de support et tournez la cartouche dans le sens antihoraire jusqu'à ce qu'il soit complètement dévissée hors de l'appareil.
- **POUR RETIRER LA CARTOUCHE DE MELANGE BUTANE / PROPANE (G30 + G31):** Retirez la cartouche du support et tournez la cartouche dans le sens antihoraire jusqu'à ce qu'il soit complètement dévissée de l'adaptateur.
- Une fois la cartouche enlevée, l'adaptateur de butane peut être dévissé en tournant dans le sens antihoraire jusqu'à ce qu'il soit complètement dévissé hors de l'appareil.
- N'utilisez pas, ne stockez pas ou ne retirez pas la cartouche à proximité de produits inflammables ou des sources d'inflammation. Changez uniquement des cartouches dans un endroit bien aéré, de préférence à l'extérieur, loin de toute source d'ignition telles que les flammes nues, les pilotes, les incendies de source électrique et loin d'autres personnes.
- Les cartouches de gaz propane (G31) ou celles de mélange butane / propane (G30 + G31) DOIVENT ETRE DEBRANCHEES DE L'APPAREIL LORS DE L'UTILISATION! Assurez-vous que les joints sont vérifiés avant de raccorder une nouvelle cartouche de gaz à l'appareil.

MANTENIMIENTO:

LES PRECAUTIONS DEVANT ETRE PRISES LORSQUE L'APPAREIL NE DOIT PAS ETRE UTILISE POUR UNE CERTAINE PERIODE:

Gardez toujours la zone de l'appareil claire et libre de matériaux combustibles, essence et autres vapeurs et liquides inflammables.

Après le refroidissement du réchauffeur du magasin, arrangez-le dans un sac ayant une fermeture à glissière ou tout autre endroit exempt de poussière étanche après chaque utilisation.

Gardez les zones de ventilation (fentes dans le bas et le haut à l'avant du réchauffeur) claire à tout moment.

Inspectez visuellement et périodiquement la flamme du gaz pilote et le brûleur durant l'utilisation. Cette flamme de veilleuse devrait être de couleur bleue (pas jaune) et se prolonge à un thermocouple et entoure le thermocouple juste en dessous de la borne, voir figure 6.

Une légère flamme jaune peut se produire lorsque la flamme de la veilleuse et la flamme principale se rencontrent. Le brûleur doit être de couleur orange vif (avec une légère couleur bleue autour du bord, une brume rouge-orange qui est visible sur la dalle de céramique est acceptable) et sans une flamme visible.

Une flamme bleue qui sort au sommet de la dalle de céramique indique une accumulation de poussière, les peluches ou les toiles d'araignée à l'intérieur de l'assemblage du boîtier et l'assemblage du brûleur principal. Si la pilote est jaune ou le brûleur a une

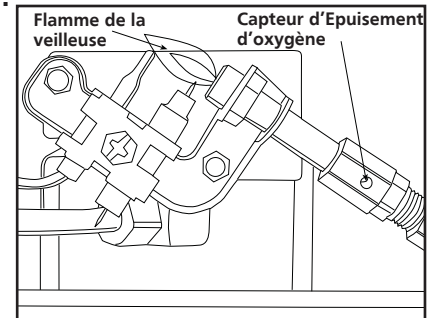


Figure 6

flamme visible, le nettoyage peut être nécessaire. Utilisez la procédure suivante pour inspecter l'assemblage de boîtier et l'assemblage du brûleur principal.

Il est nécessaire de vérifier périodiquement l'orifice du brûleur et le tube venturi du brûleur pour vous assurer s'il n'y a pas de nids d'insectes ou des toiles d'araignées qui peuvent s'accumuler au fil du temps. Tube. Un tube obstrué peut mener à un incendie.

1. Laissez refroidir l'appareil complètement avant d'effectuer toute opération de maintenance.
2. Retirez la cartouche du réchauffeur ou de fermez l'alimentation en gaz au robinet de la cartouche à distance, et débranchez le tuyau du réchauffeur
3. Retirez (4) quatre vis qui fixent le couvercle arrière au réchauffeur.
4. Pivotez le couvercle vers l'extérieur à partir du bas. Relâchez des 2 clips supérieurs. Mettez-le de côté.
5. Retirez quatre (4) vis du brûleur et la ligne de carburant de l'assemblage brûleur. Retirez le brûleur de l'arrière du boîtier.
6. Inspectez l'intérieur de l'ensemble de boîtier pour accumulation de poussière, les peluches ou les toiles d'araignée. Si nécessaire, nettoyez l'intérieur de l'ensemble du boîtier en utilisant un aspirateur ou en appliquant une pression d'air. Lors de nettoyage, n'endommagez pas les composantes dans l'assemblage du boîtier.
7. Inspectez et nettoyez l'orifice du brûleur principal (fileté dans le support de l'orifice). Orifice de support est fixé au venturi du brûleur par (2) deux vis.
8. Inspectez et nettoyez la pilote (monté sur support) en utilisant un aspirateur ou en appliquant une pression d'air à travers les trous dans la pilote indiquée par les flèches sur la figure 6.
AVERTISSEMENT: N'utilisez jamais d'aiguilles, de fils, ou d'objets cylindriques similaires pour nettoyer la pilote afin d'éviter des dommages sur l'orifice calibré qui contrôle l'écoulement de gaz.
9. Appliquez une pression d'air (max. 30 Livres par pouce carré.) Dans la dalle de céramique du brûleur et le tube venturi (réf. # article 16) pour enlever la poussière, la charpie ou les toiles d'araignées.
10. Remontez le support principal de l'orifice du brûleur dans l'ensemble du brûleur.
11. Réinstallez l'ensemble de brûleur dans le boîtier du dispositif de chauffage
12. Réinstallez la conduite de carburant et vérifiez les fuites.
13. Installez le couvercle arrière du réchauffeur.

INFORMATIONS SUR LE DÉPANNAGE:

Si l'électrode de bougie ne produit pas d'étincelle.

VERIFIEZ

- Electrode de bougie cassée – remplacez-la.
- fil de fer de l'allumeur ne peut pas être attaché à l'électrode de bougie. Joignez-les
- Fil de fer de l'allumeur endommagé – remplacez-le.
- Allumage Piézo défectueux - remplacez l'ensemble de la valve de gaz.

Si l'électrode de bougie produit des étincelles, mais la pilote n'a pas de lumière.

VERIFIEZ

- Pas de gaz au réchauffeur - réinstallez ou remplacez la cartouche de gaz.
- La position de "PILOTE" pas correctement alignée - tournez le bouton de gaz à la position «PILOTE» et appuyez-y.

- La pilote est bloquée par la toile d'araignée ou la saleté – nettoyez la pilote, voir ENTRETIEN.

Si la flamme de la veilleuse ne reste pas allumée lorsque le bouton est relâché.

VERIFIEZ

- La position du bouton de contrôle «Pilote» pas complètement déprimé ou assez longtemps tenue pour purger l'air des lignes.
- Flamme de la veilleuse n'entoure pas le thermocouple – Nettoyez la pilote, voir ENTRETIEN.
- Assemblage de pilote est défectueux – changez-le.
- Borne des câbles de l'interrupteur déconnectés - connectez la borne.

Si le brûleur principal ne s'allume pas.

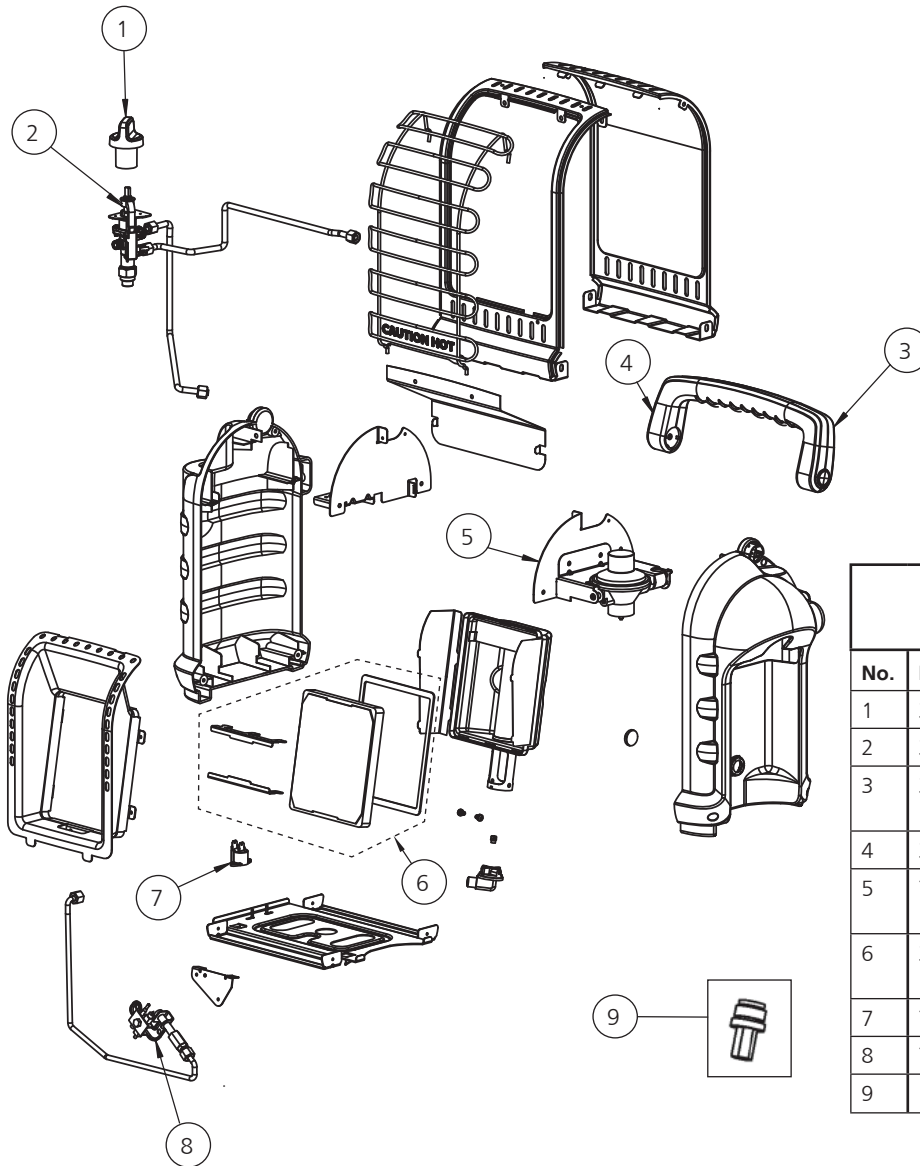
VERIFIEZ

- Brûleur principal est bloqué - Nettoyez le brûleur, voir ENTRETIEN.

Si le réchauffeur s'éteint pendant le fonctionnement normal.

VERIFIEZ

- Prévoyez au minimum une ouverture d'air frais de 9 pouces carrés (15,24 centimètres carrés), (exemple 3 po.(7,62 cm) x 3po. (7,62 cm) d'ouverture).
- Commutateur de basculement activé à partir du réchauffeur de supplantation. Rallumez.
- Régulateur défectueux - Remplacez le régulateur.
- La contamination interne - Remplacez la valve de contrôle et le régulateur.
- Appelez le service technique pour les informations supplémentaires.



LISTE DES PIÈCES DE RECHANGE:		
No.	Pièce	Description
1	32017	Bouton, Valve, Sécurité, Rouge
2	32054	Valve, Assy, Contrôle
3	32015	Poignée, Arrière, Plastique, Gris
4	32014	Poignée, Avant, Plastique, Gris
5	75198	Assemblage, Régulateur, w / Support
6	33088	Dalle, Kit de remplacement, H9BXDF
7	73403	Commutateur, Basculement
8	73396	ODS, Pilote, Assy
9	15164	Adaptateur de butane

APPROUVÉ. Par Mr. HEATER ACCESSORIES (vendu séparément)	
ARTICLE	DESCRIPTION
32008	5 pi. (1,52m) ASSEMBLAGE DU TUYAU PROPANE (Swivel 1"-20 Male Throwaway Cyl. Thd. X P.O.L. w/Handwheel) (Utilisation recommandée avec filtre à carburant.)
F273699	Filtre à carburant (remplacez annuellement)



MODE D'EMPLOI ET MANUEL DU PROPRIETAIRE

Modèle
MH8BXDF



ATTENTION:

UTILISEZ LES PIÈCES DE RECHANGE DU FABRICANT. L'UTILISATION DE TOUTE AUTRE PIÈCE PEUT CAUSER DES BLESSURES OU LA MORT. LES PIÈCES DE RECHANGE SONT UNIQUEMENT DISPONIBLES EN DIRECT DE L'USINE ET DOIVENT ÊTRE INSTALLÉES PAR UNE AGENCE DE SERVICE QUALIFIÉE. LE MODÈLE DE TUYAU32008 DE MR. HEATER EST SPÉCIFIQUEMENT CONÇU POUR UTILISATION DE CE RECHAUFFEUR AVEC FILTRE À CARBURANT JETABLE F273699 (REPLACEZ ANNUELLEMENT). L'UTILISATION D'AUTRES TUYAUX PEUT CAUSER LE DISFONCTIONNEMENT DU RECHAUFFEUR.

COMMANDE DES PIÈCES DÉTACHÉES:

ACHATS: Les accessoires peuvent être achetés à www.mrheater.com et chez les revendeurs locaux.

POUR TOUTES LES INFORMATIONS CONCERNANT LE SERVICE, VISITEZ: www.mrheater.com

Nos heures de bureau sont de 08:00-à-17h00, HNE, du lundi au vendredi.

Vous pouvez discuter avec le représentant technique via le site web: www.mrheater.com

Veuillez inclure le numéro de modèle, la date d'achat, et la description du problème lors de toute communication.

GARANTIE LIMITEE

Mr. Heater, Inc. garantit que ses appareils de chauffage et les accessoires sont exempts de défauts en matériaux et en fabrication pour une période d'un (1) an à compter de la date d'achat. Mr. Heater, Inc. réparera ou remplacera gratuitement ce produit s'il a été prouvé être défectueux dans une période d'un (1) an, et est retourné au détaillant avec preuve d'achat dans une période de garantie.

Mr. Heater, Inc. se réserve le droit d'apporter des modifications à tout moment, sans préavis ou obligation, aux couleurs, spécifications, accessoires, matériaux et modèles.

En vente dans les pays suivants:



ENREGISTREMENT DU PRODUIT: Merci pour votre achat.
Veuillez vous connecter à <http://www.egiregistration.com> pour enregistrer votre produit.

Mr. HEATER, INC., 4560 W. 160e ST., Cleveland, Ohio 44135 EUA • 800-251-0001 FREE
Mr. Heater et Portable Buddy sont des marques déposées d'Enerco Group, Inc.
© 2015, Enerco / Mr. Heater. Tous droits réservés



INSTRUCCIONES DE MANTENIMIENTO Y MANUAL PARA EL PROPIETARIO



CALEFACTOR PORTÁTIL BUDDY RADIANT

Modelo
MH8BXDF

IMPORTANTE: Lea atentamente estas instrucciones de uso para que se familiarice con este aparato eléctrico antes de instalar el cartucho de gas. Guarde estas instrucciones en caso de que necesite consultarlas más adelante.



**SOLO DEBE UTILIZARSE
EL CALEFACTOR CON
EL CARTUCHO
ROSCADO**



Cartucho de gas propano (G31) de 450 g (1 lb) no incluido

CALEFACTOR PORTÁTIL DE PROPANO (G31) Y MEZCLA DE BUTANO Y PROPANO (G30+G31) PARA USO RECREATIVO, COMERCIAL Y PARA CASOS DE EMERGENCIA EN INTERIORES.

IDIOMAS INCLUIDOS:

INGLÉS, ALEMÁN, FRANCÉS, ITALIANO, ESPAÑOL, HOLANDÉS, PORTUGUÉS, RUSO, POLACO, FINLANDÉS, SUECO, NORUEGO Y DANÉS.



Cartucho de gas de mezcla de butano y propano (G30+G31) de 450 g (1 lb) no incluido

ADVERTENCIA: Si no se sigue al pie de la letra la información proporcionada en este manual, podría producirse un incendio o una explosión que podría dar lugar a daños materiales, lesiones personales o la muerte.

- No guarde ni use gasolina ni ningún otro vapor o líquido inflamable cerca de este ni de ningún otro aparato.
- No se debe guardar ningún cartucho de propano (G31) ni de mezcla de butano y propano (G30+G31) cerca de este ni de ningún otro aparato.
- QUÉ HACER CUANDO HUELE A GAS
 - No intentar encender este aparato.
 - Apagar cualquier llama abierta.
 - Interrumpir el suministro de gas que va al aparato.
- Las tareas de servicio debe llevarlas a cabo una agencia de servicio cualificada.

Este es un calefactor de gas portátil sin respiradero. Utiliza el aire (oxígeno) de la zona en la que se usa. Se debe proporcionar un aire adecuado de combustión y ventilación. Consulte la página 3.

ADVERTENCIA:

⚠ Cada vez que se conecte un depósito a la unidad, deberá comprobarse que la conexión no presente fugas de una o varias maneras: Aplique agua con jabón sobre la conexión, compruebe si se ven burbujas, si se escucha el silbido del gas al salir, si está extremadamente fría y si hay olor a huevos podridos. Si el aparato tiene una fuga (hay olor a gas), sáquelo inmediatamente al exterior a una zona bien ventilada y sin llamas donde poder detectar y detener la fuga. Si quiere comprobar si su aparato tiene alguna fuga, hágalo en el exterior. No intente detectar fugas utilizando una llama. Utilice agua con jabón. Cualquier modificación que se realice en este calefactor o en sus controles puede resultar peligroso. NO modifique este aparato.

ADVERTENCIA:

⚠ Los primeros síntomas de envenenamiento por monóxido de carbono se parecen a los de un constipado, es decir: dolor de cabeza, mareos y/o náuseas. Si presenta estos síntomas, puede que el calefactor no esté funcionando correctamente. ¡Tome aire fresco de inmediato! Envíe el calefactor al servicio de reparación.

ADVERTENCIA:

⚠ Si el recinto recreativo o comercial no dispone de una ventana o de un respiradero en el techo, **NO UTILICE ESTE CALEFACTOR EN SU INTERIOR.** Utilícelo únicamente en zonas bien ventiladas.

ÍNDICE

Instrucciones generales de seguridad	2
Advertencia sobre el desvanecimiento del olor	3
Información general	4
Uso con cartuchos de propano desechables	4
Uso con manguera conectada a cartucho remoto	5
Mantenimiento	6
Solución de problemas	7
Lista de piezas	8
Información de pedido de piezas	9
Información de servicio	9

ESPECIFICACIONES

N.º DE MODELO.....	MH8BXDF
TIPO DE GAS...Gas propano (G31), como el Coleman, y mezclas de gas de butano y propano de 70/30 (G30+G31), como la Primus Power Gas.	
ENTRADA BTU/h.....	1,17 kW (4000)/2,4 kW (8000)
SEPARACIÓN CON RESPECTO A COMBUSTIBLES	
PARTE SUPERIOR.....	76,2 cm (30")
PARTE DELANTERA.....	60,96 cm (24")
LATERALES.....	15,24 cm (6")
PARTE TRASERA	0 cm (0")

Precaución:

- Algunas alfombras o superficies de linóleo pueden decolorarse si se coloca el calefactor directamente sobre ellas.
- Si se utiliza el calefactor a una altitud superior a los 2,13 km (7000 pies) por encima del nivel del mar, podría apagarse. (Lea la INFORMACIÓN GENERAL).

ADVERTENCIA:

- Este aparato solo se debe utilizar con propano de presión de vapor 100%(G31) y mezcla de propano y butano de 70/30 (G30+G31). Utilizar otro tipo de cartuchos de gas podría ser peligroso.

INSTRUCCIONES GENERALES DE SEGURIDAD ESTE ES UN APARATO DE CALEFACCIÓN. NO UTILICE ESTE APARATO SIN LA REJILLA DELANTERA DE PROTECCIÓN INSTALADA. NO INTENTE CALENTAR NI COCINAR ALIMENTOS EN ESTE CALEFACTOR.

- No utilice accesorios no aprobados en este calefactor. No modifique este aparato.
 - Debido a las altas temperaturas, el aparato debe colocarse en una zona no transitada y alejada de materiales combustibles. (Consulte las ESPECIFICACIONES).
- PRECAUCIÓN: las piezas expuestas podrían calentarse mucho. Mantenga a los niños pequeños lejos del aparato. Debe alertarse a niños y adultos del peligro que suponen las altas temperaturas de la superficie del aparato. Además, deberán permanecer alejados del aparato para evitar que se quemé su ropa o ellos mismos.
- Los niños pequeños deberán vigilarse atentamente cuando estén cerca de este aparato.
 - No coloque ropa ni otros materiales inflamables sobre el aparato ni cerca de él.
 - No utilice el calefactor en vehículos móviles, como caravanas u otros vehículos de ocio. • No utilice este aparato en apartamentos de rascacielos, ni en sótanos, baños o dormitorios.
 - Este calefactor también se puede utilizar en un receptáculo recreativo o comercial que disponga de una ventana o un respiradero en el techo. También se puede utilizar en exteriores.
 - Este calefactor requiere una ubicación bien ventilada de 58 cm² (9 in²) (ejemplo: apertura de 7,62 x 7,62 cm —3" x 3") como mínimo para poder disponer de una ventilación adecuada durante su funcionamiento, tal como establecen los requisitos nacionales para el suministro de aire de combustión. No utilice otros aparatos que quemen combustible en el interior.
 - LA PRESIÓN DEL GAS EN EL CALEFACTOR ESTÁ REGULADA Y FIJADA EN 27,4 milibares (11 pulgadas de columna de agua). BAJO NINGUNA CIRCUNSTANCIA SE DEBE REGULAR NI REDUCIR LA PRESIÓN DE SUMINISTRO DEL CARTUCHO DE PROPANO (G31) O DE MEZCLA DE BUTANO Y PROPANO (G30+G31) QUE VA AL CALEFACTOR.
 - EL REGULADOR DEL CALEFACTOR DEBE ESTAR SIEMPRE COLOCADO DURANTE SU FUNCIONAMIENTO.
 - Si la rejilla de protección se ha quitado para el servicio del aparato, debe volver a colocarse antes de utilizar el calefactor.
 - El aparato debe inspeccionarse antes de cada uso. Puede que sea necesario limpiarlo con frecuencia. Los compartimentos

de control, el quemador y las galerías de circulación de aire del aparato deben mantenerse limpios (consulte la sección MANTENIMIENTO).

- NO utilice este calefactor si alguna de sus piezas ha estado bajo el agua. Llame de inmediato a un técnico de servicio cualificado para que inspeccione el calefactor y cambie cualquier parte del sistema de control y cualquier control de gas que haya estado bajo el agua.
- Si se utiliza el calefactor sin un aire adecuado de combustión y ventilación, podría generar demasiado MONÓXIDO DE CARBONO, un gas inodoro y venenoso.
- A algunas personas les afecta más el monóxido de carbono que a otras, como es el caso de las mujeres embarazadas, las personas con enfermedades del corazón o de los pulmones, con anemia, bajo la influencia del alcohol o las personas que se encuentren a grandes altitudes.
- Si el calefactor se va a colocar en el suelo, asegúrese de que el suelo esté nivelado y de que no haya ningún objeto a menos de 60,96 cm (24 pulgadas) del aparato. NO MUEVA EL APARATO CUANDO ESTÉ EN FUNCIONAMIENTO. LOS GOLPES Y LAS SACUDIDAS PODRÍAN ACTIVAR EL DISPOSITIVO DE SEGURIDAD CONTRA CAÍDAS. NO DEJE EL CALEFACTOR DESATENDIDO NI EN ZONAS EN LAS QUE ALGÚN NIÑO PODRÍA VOLCARLO. ¡NUNCA UTILICE EL CALEFACTOR MIENTRAS DUERME!

ADVERTENCIA SOBRE EL DESVANECIMIENTO DEL OLOR

ADVERTENCIA

⚠ Peligro de asfixia

- No utilice este aparato en áreas no ventiladas.
- El flujo de aire de ventilación y combustión no se debe obstruir.
- Se debe proporcionar un aire de ventilación adecuado que permita cumplir con los requisitos de aire de combustión del calefactor que se esté utilizando.
- Consulte la sección de especificaciones del manual del calefactor o la placa de características o póngase en contacto con la fábrica para determinar los requisitos de ventilación de aire de combustión del calefactor.
- La falta de un aire de ventilación adecuado dará lugar a una combustión incorrecta.
- Una combustión incorrecta puede causar envenenamiento por monóxido de carbono, lo que podría provocar lesiones graves o incluso la muerte. Entre los síntomas propios del envenenamiento por monóxido de carbono se encuentran dolores de cabeza, mareos y dificultad para respirar.

OLOR A GAS COMBUSTIBLE

Los gases del propano (G31) y de la mezcla de butano y propano (G30+G31) incluyen odorantes artificiales para poder detectar las fugas de gas combustible. Si se produce una fuga, debería poder oler el gas combustible. Puesto que el propano (G31) pesa más que el aire, debería intentar oler el olor del gas cerca del suelo. ¡SIEMPRE QUE HUELA A GAS, DEBE ACTUARSE DE INMEDIATO!

- No tome ninguna medida que pueda encender el gas combustible. No utilice ningún interruptor eléctrico. No desconecte ninguna fuente de suministro ni cable de extensión. No encienda cerillas ni ninguna otra fuente de llamas. No utilice su teléfono.
- Haga que todas las personas salgan del edificio y se alejen de la zona de inmediato.
- Cierre todas las válvulas de suministro de combustible de cartucho o depósito de gas propano (G31) o la válvula de suministro de combustible principal, que se encuentra en el contador, si usa gas

natural.

- El gas propano (G31) es más pesado que el aire y se podría asentar en las zonas más bajas. Si tiene algún motivo para creer que existe una fuga de propano, manténgase alejado de todas las zonas bajas.
- Utilice el teléfono de un vecino para llamar a su proveedor de gas combustible y a los bomberos. No vuelva a entrar en el edificio o en la zona.
- Permanezca fuera del edificio y aléjese de la zona hasta que los bomberos y su proveedor de gas combustible indiquen que es seguro volver.
- POR ÚLTIMO, deje que el técnico de servicio de gas combustible y los bomberos comprueben si hay alguna fuga de gas. Dígalos que aireen el edificio y la zona antes de volver a ella. Personal de servicio debidamente formado deberá encargarse de reparar las fugas, comprobar si hay otras fugas y volver a encender el aparato por usted.

DESVANECIMIENTO DEL OLOR (NO SE DETECTA OLOR)

- Algunas personas no tienen un buen olfato. Algunas personas no pueden oler el olor del químico artificial añadido al propano (G31). Usted debe determinar si puede oler el odorante que se añade a estos gases combustibles.
- Aprenda a reconocer el olor del gas propano (G31). Los distribuidores locales de gas propano (G31) estarán encantados de darle un panfleto de rasgar y oler. Utilícelo para familiarizarse con el olor del gas combustible.
- Fumar puede reducir la capacidad de las personas para oler. Estar cerca de un olor durante cierto tiempo puede afectar a la sensibilidad a ese olor en concreto. Los olores propios de los edificios donde se confinan animales pueden camuflar el olor del gas.
- **El odorante que se incluye en el gas propano (G31) es incoloro y la intensidad de su olor puede desvanecerse en determinadas circunstancias.**
- Si hay una fuga bajo tierra, el movimiento del gas por la tierra puede filtrar el odorante.
- La intensidad del olor del gas propano (G31) puede variar en función del nivel al que se encuentre. Puesto que el gas propano (G31) pesa más que el aire, puede que el olor sea más intenso en los niveles más bajos.
- **Siempre esté alerta ante el más ligero olor a gas.** Si sigue oliendo a gas, por muy poco que sea, debe actuarse como si de una fuga grave se tratase. Siga los procedimientos indicados anteriormente.

ANTECIÓN: ¡PUNTOS CRÍTICOS A RECORDAR!

- El gas propano (G31) y la mezcla de butano y propano (G30+G31) tienen un olor distintivo. Aprenda a reconocer estos olores. (Consulte las secciones Olor a gas combustible y Desvanecimiento del olor, expuestas anteriormente).
- Aunque no haya recibido la formación adecuada para el servicio y reparación del calefactor, SIEMPRE esté al tanto de los olores del gas propano (G31) y del gas natural.
- Si no ha recibido la formación adecuada para la reparación y el servicio del calefactor de gas propano (G31) o de mezcla de butano y propano (G30+G31), no intente encender el calefactor, ni realizar tareas de servicio, reparaciones o modificaciones en el calefactor en el sistema de combustible de gas propano (G31) o de mezcla de butano y propano (G30+G31).
- Un procedimiento que se recomienda independientemente de las condiciones consiste en oler de manera periódica alrededor del calefactor o en las juntas del calefactor, esto es, la manguera, las conexiones, etc. Si huele a gas, aunque solo sea un poco, PÓNGASE EN CONTACTO DE INMEDIATO CON SU PROVEEDOR DE GAS COMBUSTIBLE. ¡NO ESPERE!

INFORMACIÓN GENERAL:

- Este calefactor, que dispone de medios para proporcionar ventilación y aire de combustión, es seguro en interiores en recintos recreativos pequeños, como tiendas de campaña, cabañas, cabañas para pescar o porches cerrados. Se puede utilizar para calentar una zona interior en caso de emergencia mediante la conexión de un cartucho desechable de 450 g (1 lb) de propano (G31) o de mezcla de butano y propano (G30+G31) y para recintos comerciales, como remolques para la construcción o recintos de trabajo temporales, ya que dispone de medios para proporcionar aire de combustión y ventilación.


Nota: El calefactor se puede utilizar en exteriores, pero bajo determinadas condiciones de viento podría apagarse por sí solo.

- Si el calefactor está frío o a temperatura ambiente, el mosaico del quemador tardará unos minutos en ponerse de color naranja brillante. Esto es normal y no indica que el calefactor esté funcionando mal en absoluto. Si el mosaico del quemador presenta llamas visibles, apague el calefactor y llame a un técnico de servicio cualificado.
- Cuando la unidad está encendida, debe haber un borde de unos 6 mm (0,25") alrededor del mosaico que no se ponga de color naranja brillante. Esto es normal.
- Al utilizar por primera vez el calefactor, el área superior del reflector podría decolorarse. Esto también es normal y no es motivo de preocupación.
- Si se utiliza el calefactor a una altitud superior a los 2,13 km (7000 pies) por encima del nivel del mar, la unidad podría no encenderse con la misma intensidad que a una altitud más baja. Esto es normal. A mayores altitudes, el calefactor podría apagarse. Si esto sucede, proporcione aire fresco al aparato, espere 5 minutos y vuelva a encenderlo. Dependiendo de las condiciones atmosféricas locales, el calefactor podría no volver a encenderse.
- El tiempo de funcionamiento variará en función del ajuste del calefactor y del tamaño del cartucho de suministro. Entre 3 y 6 horas con un cartucho de propano (G31) de 450 g (1 lb) o de 3 a 6 horas si se utiliza un cartucho de mezcla de butano y propano de 70/30 (G30+G31) de 450 g (1 lb). Entre 48 y 110 horas en un cartucho de 5 kg (20 lb) (basándose en los ajustes "HI" (ALTO) y "LO" (BAJO)). Debido a las propiedades del gas propano (G31), los tiempos de funcionamiento pueden verse reducidos de forma significativa si se trabaja continuamente a temperaturas inferiores a los -7 °C (20 °F).
- Este calefactor está equipado con un interruptor de seguridad contra caídas. Si la unidad se sacude o se mueve, podría apagarse por sí sola. Si esto sucede, simplemente vuelva a encenderla.
- Debido al funcionamiento natural de los pequeños depósitos de combustible, podría acumularse condensación sobre el depósito y gotear sobre la superficie que se encuentra bajo el calefactor. A veces, esta condensación se puede congelar debido al extremo frío que produce el propano (G31) al evaporarse. Esto es normal y no es motivo de alarma.

INSTRUCCIONES DE ENCENDIDO/USO PARA UTILIZAR CON CARTUCHOS DESECHABLES DE 450 g (1 lb) DE PROPANO (G31) O MEZCLA DE BUTANO Y PROPANO (G30+G31):

ADVERTENCIA: Inspeccione siempre las conexiones del adaptador de mezcla de butano y propano y del cartucho de propano para ver si tienen daños, suciedad o residuos antes de conectar el cartucho de propano. No utilice el aparato si el cabezal del cartucho está dañado, perforado o deteriorado.

LOS CARTUCHOS SOLO DEBEN CONECTARSE Y DESCONECTARSE AL AIRE LIBRE, LEJOS DE LLAMAS Y DE OTRAS FUENTES DE IGNICIÓN Y SOLO SI EL CALEFACTOR ESTÁ FRÍO AL TACTO. NUNCA FUME CUANDO ESTÉ CONECTANDO O DESCONECTANDO UN CARTUCHO DE PROPANO NI CUANDO ESTÉ REALIZANDO CONEXIONES REMOTAS.

- Utilice solamente cartuchos desechables de 450 g (1 lb/16 oz.) de propano (G31) compatibles con una conexión de válvula n.º 600 o con mezclas de butano y propano (G31) de 70/30 con tipo de rosca 7/16-28 ENF-2B.
- Compruebe que las juntas estancas (entre el aparato y el cartucho de gas) estén en su sitio y en buen estado antes de realizar la conexión con el cartucho de gas. Figura 4. No utilice el aparato si sus juntas estancas están dañadas o desgastadas. No utilice el aparato si presenta fugas, daños o no funciona correctamente.
- Asegúrese de que el pomo de control de cuatro posiciones esté en la posición "OFF" : consulte la figura 1.
- Para utilizar con propano: Haga girar el regulador hacia fuera para instalar el depósito fácilmente. Enrosque manualmente el cartucho desechable de suministro de gas propano (G31) de 450 g (1 lb) en el sentido de las agujas del reloj (agarrándolo por la parte inferior) hasta dejarlo bien apretado en el calefactor portátil; consulte la figura 2. NO utilice sellante de roscas en esta conexión.
- Para utilizar el aparato con una mezcla de butano y propano (G30+G31): Enrosque el adaptador de bronce en el sentido de las agujas del reloj en el regulador del calefactor portátil (desde

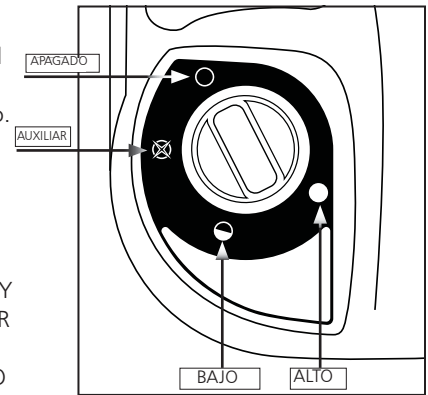


Figura 1: Pomo de control

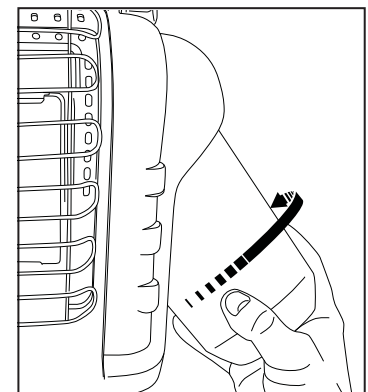


Figura 2: Conecte el depósito de combustible

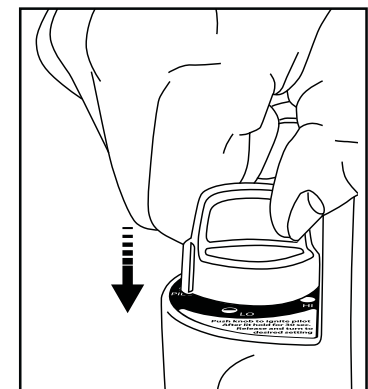


Figura 3: Ignición

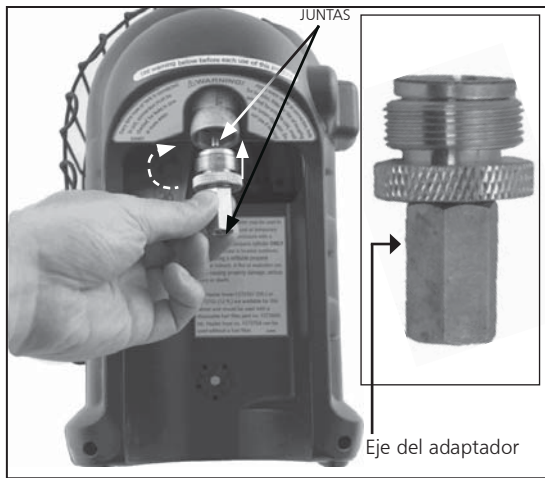


Figura 4: "Adaptador de butano"

la parte inferior) hasta que quede apretado. Consulte la figura 4. No utilice sellante de roscas en esta conexión. Enrosque el cartucho de mezcla de butano y propano en el adaptador (en el sentido de las agujas del reloj). Una vez que el eje del adaptador comience a girar, significa que el cartucho está conectado.

- Cuando esto suceda, coloque el cartucho dentro de su soporte.
- Compruebe si hay fugas en la conexión del cartucho y el adaptador. Para ello, utilice agua con jabón en la conexión roscada bajo la cubierta de plástico en forma de bóveda donde el cartucho se enrosca hasta quedar insertado en el regulador. LEA LA ADVERTENCIA SOBRE LA CUBIERTA DE PLÁSTICO EN FORMA DE BÓVEDA.

- Gire el pomo de control en el sentido contrario al de las agujas del reloj hasta la posición "PILOT" y púlselo para encender el aparato; consulte las figuras 1 y 3.
- Si no se enciende el calefactor, pulse el pomo unos 30 segundos, suéltelo y vuelva a pulsarlo. Repita este procedimiento hasta que se encienda la llama auxiliar.

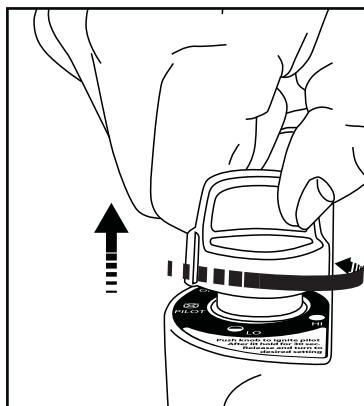


Figura 5: "Suelte el pomo".

- Una vez que se encienda la llama auxiliar, mantenga pulsado el pomo entre 30 y 60 segundos y después suéltelo. El pomo debería volver a su posición totalmente extendida. Para utilizar el calefactor, pulse ligeramente el pomo y gírelo con cuidado hasta que se quede bloqueado en la posición "HI" para encender el mosaico del quemador. Déjelo en la posición "HI" hasta que el mosaico del quemador se ponga de color naranja brillante. Figura 5.

NOTA: Al encender el aparato por primera vez, es normal que se produzcan fogonazos. Mantenga su cara y los objetos inflamables alejados del aparato.

- Una vez que el mosaico del quemador se haya puesto de color naranja brillante, ajuste la salida de calor girando el pomo de control hasta la posición deseada (ajuste "LO" o "HI"). Figura 1.

Advertencia:

⚠ NO UTILICE EL CALEFACTOR SALVO QUE EL POMO DE CONTROL ESTÉ BLOQUEADO EN UNA POSICIÓN MARCADA COMO "HI" , "LO" o "PILOT" . NUNCA ESTABLEZCA EL POMO DE CONTROL ENTRE LAS POSICIONES BLOQUEADAS. SE PODRÍA PRODUCIR UNA MALA COMBUSTIÓN Y SE PODRÍAN GENERAR COMO RESULTADO ALTOS NIVELES DE MONÓXIDO DE CARBONO.

- Para apagar el calefactor, pulse ligeramente el pomo y gírelo en

- el sentido de las agujas del reloj hasta la posición "OFF" .
- **PRECAUCIÓN:** Las piezas expuestas podrían calentarse mucho. La protección de que dispone este aparato tiene como fin evitar incendios y quemaduras y no debe quitarse ninguna de sus partes de manera permanente. **NO PROTEGE TOTALMENTE A LOS NIÑOS PEQUEÑOS NI A LAS PERSONAS ENFERMAS.** Antes de guardar el aparato, deje que se enfríe.
- Gire el pomo hasta la posición "OFF" . Compruebe que los quemadores se hayan apagado antes de desconectar el cartucho de gas.
- **PARA QUITAR EL CARTUCHO DE PROPANO (G31):** Saque el cartucho del soporte y gírelo en sentido contrario al de las agujas del reloj hasta que lo haya extraído por completo del calefactor.
- **PARA QUITAR EL CARTUCHO DE MEZCLA DE BUTANO Y PROPANO (G30+G31):** Saque el cartucho del soporte y gírelo en sentido contrario al de las agujas del reloj hasta que lo haya extraído por completo del adaptador.
- Una vez que se haya quitado el cartucho, se puede desenroscar el adaptador de butano girándolo en el sentido contrario al de las agujas del reloj hasta que se haya extraído por completo del calefactor.
- No utilice, guarde ni quite el cartucho cerca de elementos inflamables o fuentes de ignición. Los cartuchos solo deben cambiarse en una zona bien ventilada, preferiblemente al aire libre, lejos de otras personas y de fuentes de ignición, como llamas desnudas, auxiliares o fuegos eléctricos.
- Los cartuchos de gas propano (G31) o de mezcla de butano y propano (G30+G31) **DEBEN DESCONECTARSE DEL CALEFACTOR CUANDO ESTE NO SE VAYA A UTILIZAR.** Asegúrese de comprobar las juntas estancas antes de conectar un nuevo cartucho de gas al aparato.

MANTENIMIENTO:

SI EL APARATO NO SE VA A UTILIZAR DURANTE UN TIEMPO, SE DEBEN TOMAR PRECAUCIONES:

Mantenga siempre la zona del calefactor despejada y libre de materiales combustibles, gasolina y otros vapores y líquidos inflamables.

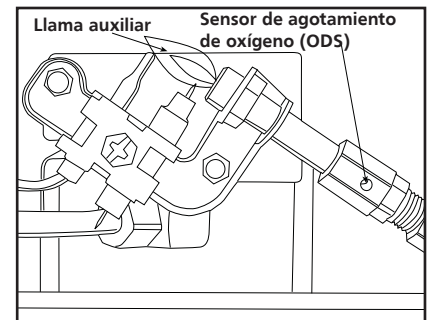


Figura 6

Cuando no vaya a utilizar el calefactor durante un tiempo, espere a que se enfríe y guárdelo en una bolsa con cremallera o en otro lugar sellado y libre de polvo.

Mantenga despejadas siempre las zonas de ventilación del aparato (las ranuras que tiene por delante en la parte inferior y superior).

Durante el uso del calefactor, se debe inspeccionar de forma visual y periódica la llama auxiliar y el quemador. La llama auxiliar debe ser de color azul (no amarillo) y se extenderá más allá del termopar. La llama envolverá el termopar justo por debajo de la punta (consulte la figura 6).

Puede que se produzca una llama amarillenta en la zona en la que se encuentran la llama auxiliar y el quemador principal. El quemador debería tener un color naranja brillante (con un ligero color azul alrededor del borde, una bruma de color naranja rojizo en el mosaico de cerámica es aceptable) y no se debería ver ninguna llama en él. Si sale una llama azul por la parte superior del mosaico, significa que se ha acumulado polvo, pelusas o telas de araña dentro de la carcasa y el quemador principal. Si la llama auxiliar es amarilla o se ve una llama sobre el quemador, puede que sea necesario limpiar el aparato. Utilice el siguiente procedimiento

para inspeccionar la carcasa y el quemador principal.

Es necesario comprobar periódicamente el orificio y la válvula de Venturi del quemador para asegurarse de que estén limpios y libres de cosas como nidos de insectos o telas de araña que se pueden acumular con el paso del tiempo. Si el tubo está obstruido, se puede producir un incendio.

- 1 Deje que el calefactor se enfríe bien antes de someterlo a tareas de mantenimiento.
- 2 Extraiga el cartucho del calefactor o desconecte el suministro de gas en la válvula del cartucho remoto y desconecte la manguera del calefactor.
- 3 Quite los cuatro (4) tornillos que fijan la cubierta trasera del calefactor.
- 4 Gire la cubierta hacia fuera desde la parte inferior. Libérela de las 2 abrazaderas superiores. Colóquela a un lado.
- 5 Quite los cuatro (4) tornillos de sujeción del quemador y la línea de combustible procedente del conjunto del quemador. Extraiga el conjunto del quemador de la parte trasera del receptáculo.
- 6 Inspeccione el interior del conjunto de la carcasa para comprobar si se ha acumulado polvo, pelusas o telas de araña. Si fuese necesario, limpie el interior del conjunto de la carcasa con una aspiradora o aire comprimido. Durante la limpieza no debe dañar ninguno de los componentes que se encuentran dentro de la carcasa.
- 7 Inspeccione y limpie el orificio del quemador principal (roscado dentro del soporte del orificio). El soporte del orificio está fijado al Venturi del conjunto del quemador mediante dos (2) tornillos.
- 8 Inspeccione y limpie el auxiliar (montado en el soporte) con una aspiradora o aire comprimido a través de los orificios del auxiliar indicados mediante las flechas que se muestran en la figura 6.
ADVERTENCIA: No utilice nunca agujas, alambres ni objetos cilíndricos parecidos para limpiar el auxiliar con el fin de evitar dañar el orificio calibrado que controla el flujo de gas.
- 9 Aplique aire comprimido (30 psi como máximo) dentro del mosaico de cerámica del conjunto de quemador y la válvula de Venturi (n.º de ref. 16) para extraer el polvo, las pelusas y las telarañas.
- 10 Vuelva a montar el soporte del orificio del quemador principal sobre el conjunto del quemador.
- 11 Vuelva a instalar el conjunto del quemador en el receptáculo del calefactor.
- 12 Vuelva a instalar la línea de combustible y compruebe si hay fugas.
- 13 Instale la cubierta trasera del calefactor.

INFORMACIÓN SOBRE SOLUCIÓN DE PROBLEMAS:

Si el electrodo de chispa no produce chispa.

COMPRUEBE

- Si el electrodo de chispa está roto. De ser así, cambie el sensor de agotamiento de oxígeno (ODS).
- Si el cable del encendedor no está conectado al electrodo de chispa o el cable de masa no está conectado al bastidor. De ser así, conéctelo.
- Si el hilo del encendedor está dañado. Si lo está, cámbielo.
- Si el encendedor piezoeléctrico está defectuoso. Si lo está, cambie el conjunto de la válvula de gas.

Si el electrodo de chispa produce chispa pero el auxiliar no

se enciende.

COMPRUEBE

- Si no llega gas al calefactor. En este caso, instale un cartucho desechable o conecte la manguera a un cartucho remoto y abra la válvula.
- Si la posición "PILOT" no está debidamente alineada. Coloque el pomo de control de gas en la posición "PILOT" y púselo.
- Si el auxiliar está bloqueado por telarañas o suciedad. De ser así, límpielo (consulte la sección MANTENIMIENTO).

Si la llama auxiliar no permanece encendida al soltar el pomo.

COMPRUEBE

- Si el pomo de control no está totalmente pulsado en la posición "PILOT" o no se ha pulsado el tiempo suficiente como para poder purgar el aire de las líneas.
- Si la llama auxiliar no envuelve al termopar. Si no lo envuelve, limpie el auxiliar (consulte la sección MANTENIMIENTO).
- Si el conjunto del auxiliar está defectuoso. Si lo está, cámbielo.
- Si están desconectados los cables del interruptor de seguridad contra caídas. Si lo están, conéctelos.

Si el quemador principal no enciende.

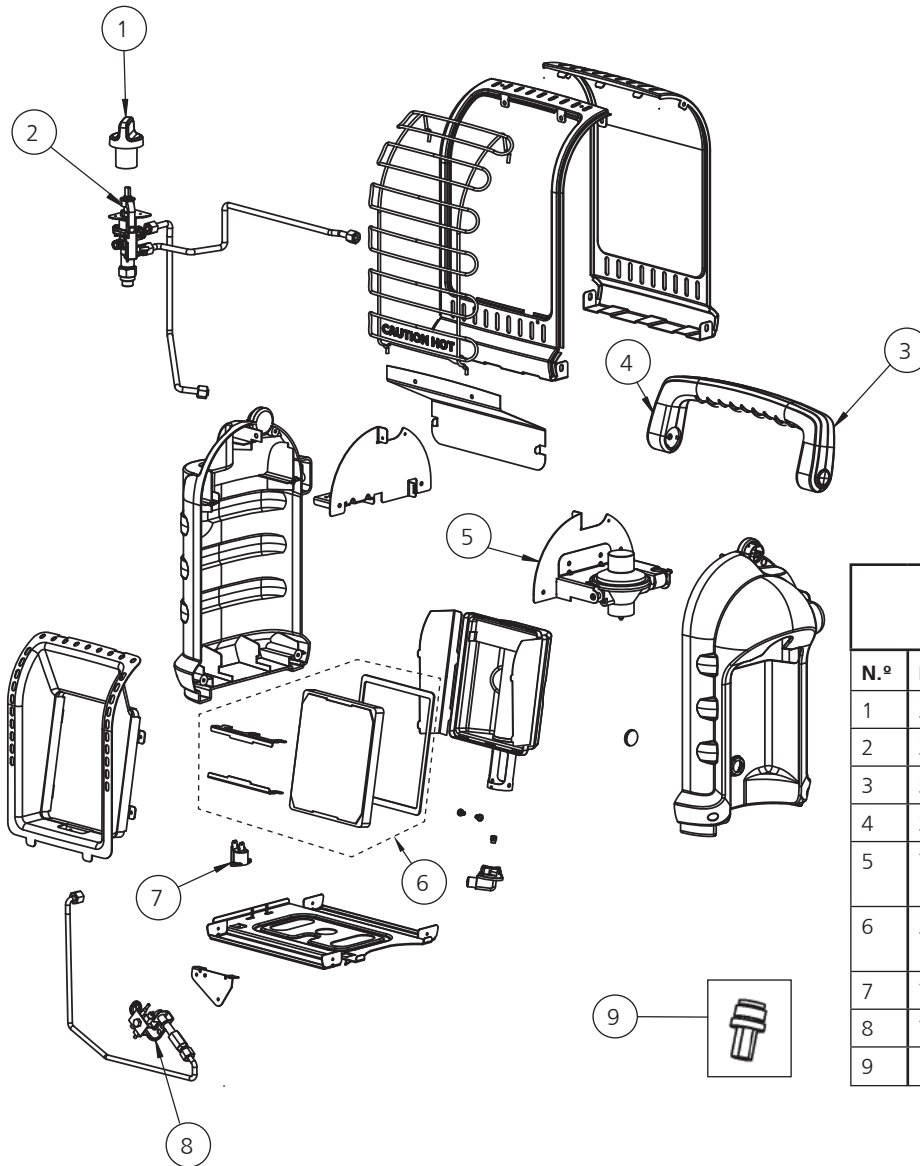
COMPRUEBE

- Si está bloqueado el orificio del quemador principal. Si lo está, limpie el quemador (consulte la sección MANTENIMIENTO).

Si el calefactor sigue apagándose durante el funcionamiento normal.

COMPRUEBE

- Si el auxiliar está bloqueado. Si lo está, límpielo (consulte la sección MANTENIMIENTO).
- Proporcione una abertura para el aire fresco que sea como mínimo de 58 cm² (9 in²) (ejemplo: apertura de 7,62 cm x 7,62 cm - 3" x 3").
- Si se activó el interruptor de seguridad contra caídas al darle un golpe al calefactor. De ser así, vuelva a encender el aparato.
- Si el regulador tiene algún defecto. Cámbielo.
- Si hay contaminación interna. De haberla, cambie el regulador y la válvula de control.
- Si desea obtener información adicional, llame al Servicio técnico.



LISTA DE PIEZAS DE REPUESTO:		
N.º	Pieza	Descripción
1	32017	Pomo, válvula, seguridad, rojo
2	32054	Válvula, conjunto, control
3	32015	Asa, trasera, plástico, gris
4	32014	Asa, delantera, plástico, gris
5	75198	Conjunto, regulador, con soporte
6	33088	Mosaico, kit de sustitución, H9BXDF
7	73403	Interruptor, contra caídas
8	73396	ODS, auxiliar, conjunto
9	15164	Adaptador de butano

ACCESORIOS APROBADOS DE MR. HEATER (se venden por separado)	
ELEMENTO	DESCRIPCIÓN
32008	CONJUNTO DE MANGUERA DE PROPANO DE 1,52 m (5 pies) (giratorio 1"-20 rosca cil. desechable macho X P.O.L. con volante) (se recomienda utilizar con un filtro de combustible).
F273699	Filtro de combustible (cambiar una vez al año)



INSTRUCCIONES DE FUNCIONAMIENTO Y MANUAL PARA EL PROPIETARIO

Modelo
MH8BXDF



ADVERTENCIA:

UTILICE ÚNICAMENTE PIEZAS DE REPUESTO DEL FABRICANTE EL USO DE OTRAS PIEZAS DE REPUESTO PODRÍA DAR LUGAR A LESIONES E INCLUSO LA MUERTE. LAS PIEZAS DE REPUESTO SOLO SE PUEDEN OBTENER DE LA FÁBRICA Y DEBE INSTALARLAS UNA AGENCIA DE SERVICIO CUALIFICADA. LA MANGUERA 32008 DE MR. HEATER ESTÁ DISEÑADA ESPECÍFICAMENTE PARA ESTE CALEFACTOR JUNTO CON EL FILTRO DE COMBUSTIBLE DESECHABLE F273699 (CAMBIAR UNA VEZ AL AÑO). EL USO DE OTRAS MANGUERAS PODRÍA DEJAR INUTILIZABLE EL CALEFACTOR.

INFORMACIÓN DE PEDIDO DE PIEZAS:

COMPRA: Los accesorios pueden adquirirse desde www.mrheater.com y mediante distribuidores locales.

PARA OBTENER INFORMACIÓN RELACIONADA CON EL SERVICIO, VISITE:
www.mrheater.com

Nuestro horario de oficina es de 8:00 a. m. a 5:00 p. m., hora del este de EE. UU. (EST), de lunes a viernes.

Puede chatear con un representante técnico mediante nuestro sitio web: www.mrheater.com.

Al comunicarse con nuestra empresa, incluya el número de modelo, la fecha de la compra y la descripción del problema.

GARANTÍA LIMITADA

Mr. Heater, Inc. garantiza que sus calefactores y accesorios estarán libres de defectos de materiales y de mano de obra durante un período de 1 año a partir del momento de la compra. Mr. Heater, Inc. reparará o reemplazará este producto sin cargo alguno si se ha demostrado que tenía algún defecto en dicho período de 1 año y se ha devuelto al minorista con el comprobante de compra dentro del plazo de la garantía.

Mr. Heater, Inc. se reserva el derecho a realizar cambios, sin aviso ni obligación y en cualquier momento en los colores, las especificaciones, los accesorios, materiales y modelos.

A la venta en los siguientes países:



REGISTRO DEL PRODUCTO: Gracias por su compra.
Inicie sesión en <http://www.egiregistration.com> para registrar su producto.

MR. HEATER, INC., 4560 W. 160TH ST., CLEVELAND, OHIO 44135 USA • 800-251-0001
Mr. Heater y Portable Buddy son marcas comerciales registradas de Enerco Group, Inc.
© 2015, Enerco/Mr. Heater. Reservados todos los derechos.



ISTRUZIONI DI FUNZIONAMENTO E MANUALE UTENTE



IRRADIATORE PORTATILE BUDDY

Modello n.
MH8BXDF

IMPORTANTE: Leggere attentamente queste istruzioni per l'uso in modo da familiarizzarsi con l'apparecchiatura prima di connetterla alla sua cartuccia del gas. Conservare queste istruzioni per future consultazioni.



**UTILIZZARE LA
STUFA SOLAMENTE
CON CARTUCCE
FILETTATE**



(Cartuccia gas propano (G31) da 1 libbra (450g) non inclusa)

IRRADIATORE A GAS PROPANO (G31) E
MISCELA BUTANO/PROPANO (G30 + G31)
PER USO RICREATIVO, COMMERCIALE E
INTERNO DI EMERGENZA

LINGUE INCLUSE:

INGLESE, TEDESCO, FRANCESE, ITALIANO, SPAGNOLO,
OLANDESE, PORTOGHESE, RUSSO, POLACCO, FINLANDESE,
SVEDESE, NORVEGESE, DANESE.



(Cartuccia gas miscela butano/propano (G30+G31) (450g) non inclusa)

ATTENZIONE: se non ci si attiene rigorosamente alle informazioni di questo manuale, è possibile che si verifichi di un incendio o un'esplosione e di conseguenza danni materiali, lesioni personali o morte.

- Non conservare o usare benzina o altri vapori e liquidi infiammabili in prossimità di questa o qualsiasi altra apparecchiatura.
- Non conservare una cartuccia di gas propano (G31) o miscela butano/propano (G30+G31) non collegata per l'uso in prossimità di questa o qualsiasi altra apparecchiatura.
- COSA FARE SE SI SENTE ODORE DI GAS
 - Non tentare di accendere l'apparecchiatura.
 - Spegnerne tutte le fiamme libere.
 - Spegnerne l'alimentazione di gas all'apparecchiatura.
- L'assistenza deve essere eseguita da un tecnico dell'assistenza qualificato.

Questa è una stufa portatile a gas non ventilata. Utilizza aria (ossigeno) dall'area in cui è utilizzata. Deve essere fornito un'adeguato apporto di aria di combustione e ventilazione. Fare riferimento a pagina 3.

ATTENZIONE:

⚠ Ogni volta che un serbatoio è collegato all'unità, è necessario verificare la presenza di perdite nel collegamento scegliendo tra una o più delle seguenti modalità: applicare acqua e sapone al collegamento, controllare la presenza di bolle, verificare la presenza di sibili indicanti una perdita di gas, verificare se si percepisce un freddo intenso o un odore di uova marce. In caso di perdita nell'apparecchiatura (odore di gas), portarla immediatamente all'aperto in un luogo ben ventilato e privo di fiamme dove la perdita può essere rilevata e fermata. Se si desidera verificare la presenza di perdite nell'apparecchiatura, farlo all'aperto. Non tentare di rilevare perdite utilizzando una fiamma, utilizzare acqua e sapone. Qualsiasi modifica a questa stufa o ai suoi controlli può essere pericolosa. NON modificare l'apparecchiatura.

ATTENZIONE:

⚠ I primi sintomi di avvelenamento da monossido di carbonio somigliano all'influenza, con mal di testa, capogiri e/o nausea. Se sono presenti questi sintomi, è possibile che la stufa non funzioni correttamente. Uscire immediatamente all'aria aperta! Far controllare la stufa dall'assistenza.

ATTENZIONE:

⚠ Se nel luogo chiuso commerciale o ricreativo non è presente ventilazione tramite finestra o tetto, NON UTILIZZARE QUESTA STUFA ALL'INTERNO. Utilizzare soltanto in aree ben ventilate.

INDICE

Istruzioni di sicurezza generale.....	2
Avvertenza di affievolimento odore	3
Informazioni generali	4
Funzionamento con cartucce di propano usa e getta.....	4
Funzionamento con tubo collegato a cartuccia remota	5
Manutenzione	6
Risoluzione di problemi	7
Elenco delle parti	8
Informazioni per l'ordinazione delle parti.....	9
Informazioni sull'assistenza	9

SPECIFICHE

MODELLO N.....	MH8BXDF
TIPO DI GAS...Gas propano (G31) quale Coleman e miscele di gas butano/propano 70/30 (G30+G31) quale Primus Power Gas	
INPUT BTU/HR.	4.000(1,17 KW) / 8.000(2,4 KW)
DISTANZE DI SICUREZZA MINIME	
SUPERIORE	30"/76,2 cm
FRONTE	24"/60,96 cm
LATI	6"/15,24 cm
RETRO	0"

Prudenza:

- Alcuni tappeti o superfici di linoleum potrebbero scolorirsi se la stufa è posizionata direttamente su questi tipi di pavimentazione.
- In caso di utilizzo della stufa ad altitudini superiori ai 7.000 FT (2,13 km) sul livello del mare, l'unità potrebbe spegnersi. (Leggere le INFORMAZIONI GENERALI).

ATTENZIONE:

- Questa apparecchiatura deve essere usata solamente con combustibile propano a pressione di vapore 100% (G31) e miscela butano/propano 70/30 (G30+G31). Può essere pericoloso tentare di utilizzare altri tipi di cartucce di gas.

ISTRUZIONI DI SICUREZZA GENERALI

QUESTA È UN'APPARECCHIATURA PER RISCALDAMENTO. NON METTERE IN FUNZIONE QUESTA APPARECCHIATURA SENZA LA GABBIA DI PROTEZIONE FRONTALE INSTALLATA. NON TENTARE DI SCALDARE O CUCINARE CIBI SU QUESTA STUFA.

- Non utilizzare accessori non approvati su questa stufa. Non modificare l'apparecchiatura.
- A causa delle elevate temperature, l'apparecchiatura deve essere posizionata in un'area non trafficata e lontano da materiali combustibili. (Vedere SPECIFICHE)
- PRUDENZA: Le parti accessibili possono diventare molto calde. Tenere bambini e adulti distanti dall'apparecchiatura. Bambini e adulti devono essere avvertiti dei pericoli di superfici a temperature elevate e devono rimanere a distanza per evitare ustioni o fiamme sugli indumenti.
- I bambini più piccoli devono essere controllati con attenzione quando si trovano vicino all'apparecchiatura.
- Non posizionare indumenti o altri materiali infiammabili sopra o nei pressi dell'apparecchiatura.
- Non mettere in funzione il riscaldatore in veicoli in movimento quali veicoli ricreativi come roulotte e autocaravan. Non utilizzare in appartamenti ai piani alti, cantine, bagni o camere da letto.
- Questa stufa può essere usata anche in spazi chiusi ricreativi o commerciali con ventilazione tramite finestra o tetto. Può essere usata anche all'aperto.
- Questa stufa richiede un luogo ben ventilato di almeno 9 pollici quadrati (22,86 cm²) (ad esempio un'apertura di 3"/7,62 cm x 3"/7,62 cm) per una ventilazione adeguata durante il funzionamento che sia in conformità ai requisiti nazionali per l'apporto di aria di combustione. Non utilizzare altre apparecchiature alimentate a combustibile all'interno.
- LA PRESSIONE DEL GAS ALLA STUFA È REGOLATA E FISSATA A 11" W.C. (27,4 millibar) IN OGNI CASO, NON REGOLARE O RIDURRE LA PRESSIONE DI ALIMENTAZIONE DELLA CARTUCCIA DI PROPANO (G31) O MISCELA BUTANO/PROPANO (G30+G31)!
- IL REGOLATORE DELLA STUFA DEVE ESSERE SEMPRE AL SUO POSTO DURANTE IL FUNZIONAMENTO.
- Se la gabbia di protezione è rimossa per riparazioni, deve essere rimessa al suo posto prima della messa in funzione della stufa.
- L'apparecchiatura deve essere ispezionata prima di ogni utilizzo. Può essere necessaria una pulizia frequente. Gli scomparti di controllo, il bruciatore e i corridoi per la circolazione dell'aria dell'apparecchiatura devono essere tenuti puliti, vedere MANUTENZIONE.
- NON utilizzare questa stufa se qualsiasi parte è stata immersa in acqua. Chiamare immediatamente un tecnico dell'assistenza

qualificato per ispezionare la stufa e sostituire qualsiasi parte del sistema di controllo e qualsiasi regolatore dal gas che sia stato immerso in acqua.

- In caso di utilizzo senza aria di combustione e ventilazione adeguate, questa stufa può produrre MONOSSIDO DI CARBONIO in eccesso, un gas velenoso inodore.
- Alcuni individui - donne incinta, persone con problemi a cuore o polmoni, persone sotto l'effetto di alcool, persone ad altitudini elevate - sono maggiormente affette dal monossido di carbonio di altri.
- Quando la stufa è posizionata a terra, assicurarsi che il pavimento sia piano e tenere qualsiasi altro oggetto ad almeno 24 pollici (60,96 cm) dalla parte anteriore della stufa. **NON SPOSTARE L'APPARECCHIATURA QUANDO QUESTA È IN FUNZIONE, URTI E COLPI POSSONO ATTIVARE IL DISPOSITIVO DI SICUREZZA ANTIRIBALTAMENTO. NON LASCIARE LA STUFA INCUSTODITA O IN AREE DOVE I BAMBINI POSSONO FARE RIBALTARE LA STUFA. NON LASCIARE MAI LA STUFA ACCESSA MENTRE SI DORME!**

AVVERTENZA DI AFFIEVOLIMENTO ODORE

AVVERTENZA



Rischio di asfissia

- Non utilizzare in aree non ventilate.
- Il flusso di aria di combustione e ventilazione non deve essere ostruito.
- È necessario fornire aria di ventilazione adeguata a supportare i requisiti relativi all'aria di combustione della stufa in uso.
- Fare riferimento alla sezione delle specifiche del manuale della stufa, la targhetta dati della stufa o contattare la fabbrica per stabilire i requisiti di ventilazione relativi all'aria di combustione della stufa.
- La mancanza di aria di ventilazione adeguata porta a combustione impropria.
- Una combustione impropria può portare ad avvelenamento da monossido di carbonio risultante in gravi lesioni o morte. I sintomi di avvelenamento da monossido di carbonio possono includere mal di testa, capogiri e difficoltà di respirazione.

ODORE DEL GAS COMBUSTIBILE

I gas propano (G31) e miscela butano/propano (G30+G31) hanno odoranti artificiali aggiunti proprio per il rilevamento di perdite di gas combustibile. In caso di perdita di gas dovrebbe essere possibile percepire l'odore del gas combustibile. Dato che il propano (G31) è più pesante dell'aria, si dovrebbe percepire l'odore del gas in basso, vicino al pavimento. QUALSIASI ODORE DI GAS È UN SEGNALE INDICANTE LA NECESSITÀ DI INTRAPRENDERE AZIONI IMMEDIATE!

- Non intraprendere alcuna azione che possa innescare il gas combustibile. Non mettere in funzione i collegamenti elettrici. Non tirare alcun cavo di alimentazione elettrica o prolunga. Non accendere fiammiferi o altre sorgenti di fiamma. Non utilizzare il telefono.
- Far evacuare immediatamente tutti dall'edificio e dall'area.
- Chiudere tutte le valvole di alimentazione del serbatoio o cartuccia di gas propano (G31), o la valvola di alimentazione principale del combustibile posizionata sul contatore se si utilizza gas naturale.
- Il gas propano (G31) è più pesante dell'aria e si può depositare

in zone basse. Quando si ha ragione di sospettare una perdita di propano, tenersi al di fuori di tutte le zone basse.

- Utilizzare il telefono del vicino e chiamare il fornitore di gas combustibile e i vigili del fuoco. Non rientrare nell'edificio o nell'area.
- Tenersi al di fuori dell'edificio e lontano dall'area finché questa non sia stata dichiarata sicura dai vigili del fuoco e dal fornitore di gas combustibile locale.
- INFINE, consentire al personale di assistenza del fornitore di gas combustibile e ai vigili del fuoco di verificare la presenza di fughe di gas. Far arieggiare l'edificio e l'area dal personale di assistenza prima di ritornare. Personale di assistenza adeguatamente addestrato deve riparare qualsiasi perdita, verificare la presenza di ulteriori perdite, quindi riaccendere l'apparecchiatura al posto vostro.

AFFIEVOLIMENTO DELL'ODORE - NESSUN ODORE RILEVATO

- Alcune persone non hanno un buon senso dell'olfatto. Alcune persone non riescono a percepire l'odore della sostanza chimica artificiale aggiunta al propano (G31). È necessario stabilire se si è in grado di percepire l'odorante in questi gas combustibili.
- Imparare a riconoscere l'odore di gas propano (G31). I distributori locali di gas propano (G31) saranno in grado di fornire un opuscolo da grattare e annusare. Utilizzarlo per familiarizzarsi con l'odore di gas combustibile.
- **Il fumo può diminuire la capacità di percepire odori. Essere in presenza di un odore per un certo periodo di tempo può influenzare la sensibilità a quel particolare odore. Gli odori presenti in edifici di confinamento per animali possono mascherare l'odore di gas combustibile.**
- L'odorante nel gas propano (G31) è incolore e l'intensità del suo odore può affievolirsi in alcune circostanze.
- Se è presente una perdita sotterranea, il movimento del gas attraverso il terreno può filtrare l'odorante.
- L'odore di gas propano (G31) può differire in intensità a diversi livelli. Dato che il gas propano (G31) è più pesante dell'aria, è possibile sia presente un odore più forte ai livelli più bassi.
- **Mantenersi sempre sensibili all'odore di gas, anche il più leggero.** Se si continua a percepire qualsiasi odore di gas, non importa quanto lieve, trattarlo come una perdita grave. Agire immediatamente come indicato in precedenza.

ATTENZIONE - PUNTI CRITICI DA RICORDARE!

- Il gas propano (G31) o la miscela butano/propano (G30+G31) ha un odore caratteristico. Imparare a riconoscere questi odori. (Fare riferimento alle precedenti sezioni Odore di gas combustibile e Affievolimento odore).
- Anche se non si è correttamente addestrati nella riparazione e assistenza di stufe, essere SEMPRE consapevoli degli odori di gas propano (G31) e gas naturale.
- Se non si è stati correttamente addestrati nella riparazione e assistenza di gas propano (G31) o miscela butano/propano (G30+G31), non tentare di accendere la stufa, effettuare assistenza o riparazioni o effettuare qualunque regolazione sulla stufa o sul sistema di alimentazione del gas combustibile propano (G31) o miscela butano/propano (G30+G31).
- Una buona pratica di sicurezza in qualunque circostanza è di effettuare una prova annusando attorno alla stufa o ai raccordi della stufa, cioè collegamenti, ecc. Se si percepisce un'odore, anche lieve, di gas, **CONTATTARE IMMEDIATAMENTE IL FORNITORE DI GAS COMBUSTIBILE. NON ATTENDERE!**

INFORMAZIONI GENERALI:

- Questa stufa è sicura per un utilizzo interno in piccoli locali ricreativi con possibilità di apporto d'aria di combustione e ventilazione quali tende, baite, capanni da pesca e verande chiuse. Può essere utilizzata per riscaldamento interno di emergenza quando collegata a una cartuccia usa e getta di propano (G31) da 1 lb. (465g) OPPURE miscela butano/propano (G30+G31) e per uso interno in locali commerciali con possibilità di apporto d'aria di combustione e ventilazione, quali rimorchi per costruzioni o locali di lavoro temporanei.

Nota: è possibile utilizzare la stufa all'aperto, ma sono possibili spegnimenti fastidiosi a causa di specifiche condizioni di vento.

- Quando la stufa è fredda o a temperatura ambiente, sono necessari alcuni minuti perché la formella del bruciatore diventi di colore arancione vivo. Ciò è normale e la stufa funziona correttamente. Se la formella del bruciatore presenta fiamme visibili, spegnere la stufa e contattare un tecnico dell'assistenza qualificato.
- Quando l'unità è accesa, deve essere presente un bordo di circa un quarto di pollice (1/4"-0,635 cm) attorno alla formella che non diventa arancione vivo. Ciò è normale.
- Quando si mette in funzione la stufa per la prima volta, l'area superiore del riflettore può scolorire. Anche questo è normale e non è necessario preoccuparsi.
- In caso di utilizzo della stufa ad altitudini superiori ai 7.000 FT (2,13 km) sul livello del mare, l'unità potrebbe non bruciare in modo altrettanto vivo di quanto accade ad altitudini inferiori. Ciò è normale. Ad altitudini più elevate, la stufa può spegnersi. In questo caso, fornire aria fresca, attendere 5 minuti e accendere nuovamente. A causa delle condizioni atmosferiche locali, la stufa potrebbe non riaccendersi.
- La durata di funzionamento varia a seconda dell'impostazione della stufa e delle dimensioni della cartuccia di alimentazione. Fino a 3-6 ore con una cartuccia di propano (G31) da 1 lb. o 3-6 ore per una cartuccia con miscela butano/propano 70/30 (G30+G31) da 450g. Fino a 48-110 ore con una cartuccia da 20 lb. (5KG) (in base alle impostazioni "ALTO" e "BASSO"). A causa delle proprietà del gas propano (G31), la durata può essere ridotta significativamente in caso di utilizzo continuo a temperature al di sotto di 20 F (-7 Celsius).
- Questa stufa è dotata di interruttore di sicurezza antiribaltamento. È possibile si verifichino spegnimenti fastidiosi se l'unità viene urtata o spostata, se ciò accade semplicemente riaccendere la stufa.
- A causa del funzionamento naturale di piccoli serbatoi, è possibile un accumulo di condensa sul serbatoio e il conseguente gocciolamento sulla superficie sotto la stufa. A volte questa condensa può ghiacciare a causa del freddo estremo provocato dalla vaporizzazione del gas propano (G31). Ciò è normale e non è necessario preoccuparsi.

ISTRUZIONI DI ACCENSIONE/FUNZIONAMENTO PER L'USO CON CARTUCCE USA E GETTA DI PROPANO (G31) DA 1 LB. O MISCELA BUTANO/PROPANO 70/30 (G30+G31) DA 450G:

ATTENZIONE: Ispezionare sempre i collegamenti tra cartuccia di propano e stufa e adattatore butano/propano per danni, sporcizia e detriti prima di collegare la cartuccia di propano. Non utilizzare se la testa della cartuccia è danneggiata, forata o deteriorata.

COLLEGARE O RIMUOVERE LE CARTUCCE SEMPRE ALL'ESTERNO E LONTANO DA FIAMME, ALTRE FONTI D'INNESCO E SOLAMENTE QUANDO LA STUFA È FREDDA AL TATTO. NON FUMARE MAI NELLE FASI DI COLLEGAMENTO O RIMOZIONE DI CARTUCCE DI GAS PROPANO O ESEGUENDO COLLEGAMENTI REMOTI!

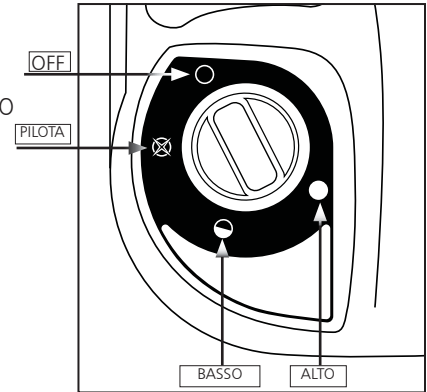


Figura 1: manopola di controllo

- Utilizzare solamente cartucce usa e getta da 16,4 oz. (1 lb./465g) che si accoppiano con un raccordo per valvola N. 600 o miscele butano/propano (70/30) (G31) con filettatura di tipo 7/16-28 ENF-2B.

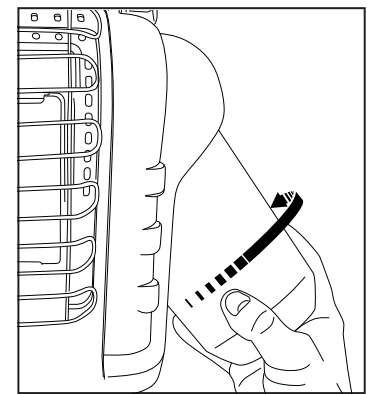



Figura 2: collegare il serbatoio del combustibile

- Verificare che le guarnizioni (tra l'apparecchiatura e la cartuccia del gas) siano in posizione e in buone condizioni prima di collegare alla cartuccia del gas. Figura 4. Non utilizzare un'apparecchiatura con guarnizioni danneggiate o usurate. Non utilizzare un'apparecchiatura che presenta perdite, danni o che non funziona correttamente.
- Assicurarsi che la Manopola di controllo a quattro posizioni sia in posizione "OFF" : vedere Figura 1.

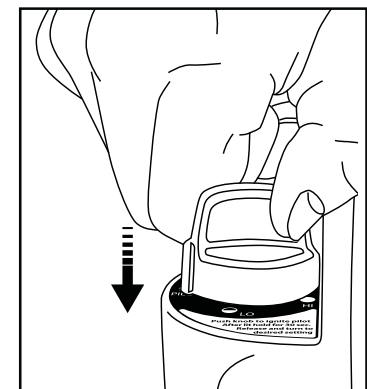


Figura 3: accensione

- Per utilizzare con propano: Ruotare il regolatore verso l'esterno per una facile installazione del serbatoio. Avvitare una cartuccia per l'alimentazione di gas propano usa e getta da 1 lb. (465g) in senso orario (dal fondo) sulla stufa portatile finché non sia ben serrata a mano; vedere Figura 2. NON utilizzare sigillanti per filettature su questo collegamento.
- Per utilizzare con miscela butano/propano (G30+G31): Avvitare l'adattatore di ottone in senso orario sul regolatore della stufa portatile (dal fondo) fino a che non sia ben serrato. Vedere Figura 4. Non utilizzare sigillanti per filettature su questo collegamento. Avvitare la cartuccia con miscela butano/

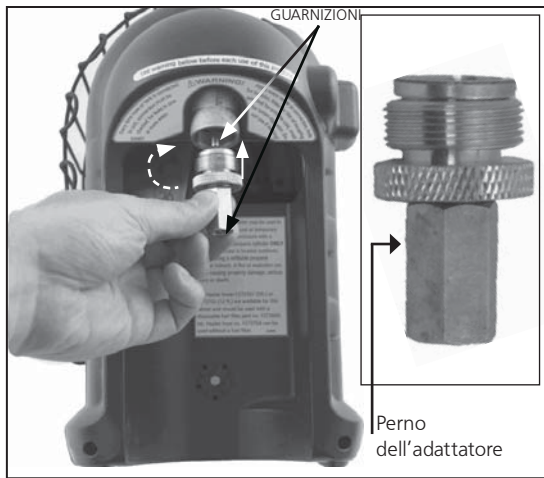


Figure 4: "butane Adapter"

propano sull'adattatore (in senso orario), una volta che il perno dell'adattatore inizia a girare la cartuccia è collegata, quindi posizionare la cartuccia nel supporto.

- Verificare i collegamenti di adattatore e cartuccia per verificare la presenza di perdite con acqua e sapone sui collegamenti filettati sotto la copertura di plastica a cupola dove la cartuccia si avvitava al regolatore. **VEDERE AVVERTENZA! SULLA COPERTURA DI PLASTICA A CUPOLA.**
- Ruotare la manopola di controllo in senso antiorario fino alla posizione "PILOTA" e premere per accendere; vedere Figura 1 e Figura 3.

- Se la stufa non si accende, tenere premuto per circa 30 secondi, rilasciare e premere nuovamente. Ripetere fino all'accensione del pilota.

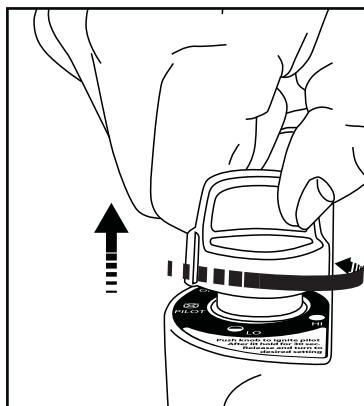









Figure 5: "rilasciare la manopola".

- Dopo l'accensione del pilota, tenere premuto per 30-60 secondi, quindi rilasciare la manopola. La manopola deve ritornare nella posizione completamente estesa; per controllare la stufa premere leggermente la manopola e ruotarla delicatamente per bloccarla nella posizione "ALTO"  per accendere la formella del bruciatore. Lasciare nella posizione "ALTO"  fino a che la formella del bruciatore non diventi arancione vivo. Figura 5

NOTA: Le fiammate sono comuni quando si accende l'apparecchiatura per la prima volta. Tenere il volto e oggetti infiammabili distanti dall'apparecchiatura.

- Dopo che la formella del bruciatore è diventata arancione vivo, regolare l'uscita di calore girando la manopola di controllo nella posizione desiderata (impostazione "ALTO"  o "BASSO"  Figura 1.

Attenzione:

 **NON AZIONARE LA STUFA FINO A CHE LA MANOPOLA DI CONTROLLO SIA BLOCCATA IN UNA POSIZIONE CONTRASSEGNA "ALTO" , "BASSO"  O "PILOTA" .** NON IMPOSTARE MAI LA MANOPOLA DI CONTROLLO TRA LE POSIZIONI BLOCCATE. CI PU PROVOCARE UNA CATTIVA COMBUSTIONE E LIVELLI ELEVATI DI MONOSSIDO DI CARBONIO.

- Per spegnere la stufa, premere leggermente verso il basso e ruotare la manopola di controllo in senso orario fino alla po-

sizione "OFF".

- **ATTENZIONE:** Le parti accessibili possono diventare molto calde. La gabbia di questa apparecchiatura serve a impedire il rischio di incendio o lesioni da ustioni e deve essere mantenuta completamente al suo posto. **NON FORNISCE UNA PROTEZIONE COMPLETA NEI CONFRONTI DI BAMBINI PICCOLI O PERSONE INFERME.** Consentire di raffreddare completamente prima di riporre.
- Ruotare la manopola nella posizione "OFF". Verificare che i bruciatori siano spenti prima di scollegare la cartuccia del gas.
- **PER RIMUOVERE UNA CARTUCCIA DI PROPANO (G31):** Rimuovere la cartuccia dal supporto e ruotarla in senso antiorario fino a che sia completamente svitata dalla stufa.
- **PER RIMUOVERE UNA CARTUCCIA DI MISCELA BUTANO/PROPANO (G30+G31):** Rimuovere la cartuccia dal supporto e ruotarla in senso antiorario fino a che sia completamente svitata dall'adattatore.
- Quando la cartuccia è rimossa, è possibile svitare l'adattatore per butano ruotando in senso antiorario fino a che non sia completamente svitato dalla stufa.
- Non mettere in funzione, riporre o rimuovere una cartuccia in prossimità di oggetti infiammabili o fonti d'innesco. Cambiare le cartucce solamente in un luogo ben ventilato, preferibilmente all'esterno, lontano da fonti di innesco quali fiamme libere, piloti, stufe elettriche e lontano da altre persone.
- Le cartucce di gas propano (G31) o miscela butano/propano (G30+G31) **DEVONO ESSERE SCOLLEGATE QUANDO LA STUFA NON VIENE UTILIZZATA!** Assicurarsi di verificare le guarnizioni prima di collegare una nuova cartuccia del gas all'apparecchiatura.

MANUTENZIONE:

PRECAUZIONI DA INTRAPRENDERE QUANDO L'APPARECCHIATURA NON VIENE USATA PER UN CERTO PERIODO:

Mantenere l'area della stufa sempre priva di materiali combustibili, benzina e altri vapori e liquidi infiammabili.

Tra un utilizzo e l'altro, far raffreddare la stufa, quindi conservarla in una borsa con chiusura lampo o altro luogo sigillato e privo di polvere.

Mantenere sempre libere le aree di ventilazione (fessure superiori e inferiori sulla parte anteriore della stufa).

Ispezionare visivamente la fiamma pilota e il bruciatore periodicamente durante l'utilizzo. La fiamma pilota deve essere di colore blu (non giallo) ed estendersi oltre la termocoppia. La fiamma circonda la termocoppia proprio sotto la punta, vedere Figura 6.

È possibile il verificarsi di una fiamma leggermente gialla dove la fiamma pilota e la fiamma del bruciatore principale si incontrano. Il bruciatore dovrebbe essere arancione vivo (con un leggero colore blu attorno al bordo, una foschia rosso-arancio visibile sulla formella in ceramica è accettabile) e senza fiamma visibile. Una fiamma blu che si solleva dalla parte superiore della formella in ceramica indica un accumulo di polvere, lanugine o ragnatele all'interno dell'unità alloggiamento e dell'unità bruciatore principale. Se la fiamma pilota è gialla o

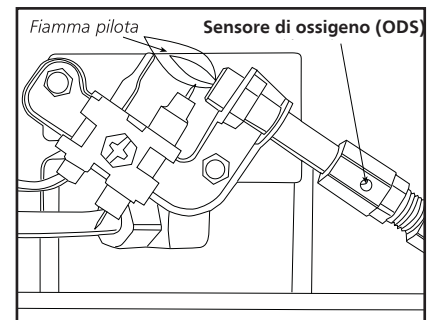


Figure 6

se il bruciatore ha una fiamma visibile, può essere necessaria una pulizia. Utilizzare la procedura seguente per ispezionare l'unità alloggiamento e l'unità bruciatore principale.

È necessario verificare periodicamente il foro del bruciatore e il tubo di Venturi del bruciatore per assicurarsi che siano privi di nidi di insetti e ragnatele che si possono accumulare nel tempo. Un tubo intasato può portare ad un incendio.

- 1 Consentire alla stufa di raffreddarsi completamente prima di eseguire qualsiasi operazione di manutenzione.
- 2 Rimuovere la cartuccia dalla stufa o spegnere l'alimentazione del gas presso la valvola della cartuccia remota e scollegare il tubo dalla stufa.
- 3 Rimuovere quattro (4) viti che assicurano la copertura posteriore alla stufa.
- 4 Ruotare la copertura verso l'esterno dal fondo. Rilasciare dalle 2 staffe superiori. Mettere da parte.
- 5 Rimuovere quattro (4) viti di sostegno del bruciatore e la linea del combustibile dall'unità bruciatore. Rimuovere l'unità bruciatore dal retro dell'alloggiamento.
- 6 Ispezionare l'interno dell'unità alloggiamento per verificare l'accumulo di polvere, lanugine o ragnatele. Se necessario, pulire l'interno dell'unità alloggiamento con un'aspirapolvere o applicare aria compressa. Non danneggiare alcun componente all'interno dell'unità di alloggiamento durante la pulizia.
- 7 Ispezionare e pulire il foro del bruciatore principale (filettato nel supporto del foro). Il supporto del foro è collegato al tubo di Venturi dell'unità bruciatore con due (2) viti.
- 8 Ispezionare e pulire il pilota (montato su una staffa) utilizzando un'aspirapolvere o applicando pressione d'aria attraverso i fori nel pilota indicati dalle frecce nella Figura 6.
ATTENZIONE: Non utilizzare mai aghi, fili o altri oggetti cilindrici simili per pulire il pilota per evitare di danneggiare il foro calibrato che controlla il flusso del gas.
- 9 Applicare una pressione d'aria (max 30 psi) nella formella di ceramica dell'unità bruciatore e nel tubo di Venturi (rif. articolo n. 16) per rimuovere polvere, lanugine o ragnatele.
- 10 Riasssemblare il supporto del foro del bruciatore principale sull'unità bruciatore.
- 11 Reinstallare l'unità bruciatore nell'alloggiamento della stufa
- 12 Reinstallare la linea del combustibile e verificare la presenza di perdite.
- 13 Installare la copertura posteriore della stufa.

INFORMAZIONI DI RISOLUZIONE DEI PROBLEMI:

Se l'elettrodo di accensione non produce scintille.

VERIFICARE

- Elettrodo di accensione rotto – sostituire ODS (Sensore di ossigeno).
- Il filo dell'accenditore potrebbe non essere collegato all'elettrodo di accensione, il filo di terra potrebbe non essere collegato al telaio - collegare.
- Filo dell'accenditore danneggiato – sostituire.
- Accenditore piezo difettoso – sostituire l'unità valvola gas.

Se l'elettrodo di accensione produce scintille ma la fiamma

pilota non si accende.

VERIFICARE

- Nessun gas alla stufa – installare una cartuccia usa e getta o collegare il tubo e avviare la valvola sulla cartuccia remota.
- Posizione "PILOTA" non allineata correttamente – ruotare la manopola di controllo del gas sulla posizione "PILOTA" e premere.
- Il pilota è bloccato da ragnatele o sporcizia – pulire il pilota, vedere MANUTENZIONE.

Se la fiamma pilota non rimane accesa quando la manopola viene rilasciata.

VERIFICARE

- La manopola di controllo nella posizione "PILOTA" non è completamente premuta o tenuta premuta abbastanza a lungo da spurgare l'aria dalle linee.
- La fiamma pilota non circonda la termocoppia – pulire il pilota, vedere MANUTENZIONE.
- Unità pilota difettosa – sostituire.
- I fili dell'interruttore sono scollegati – collegare.

Se il bruciatore principale non si accende.

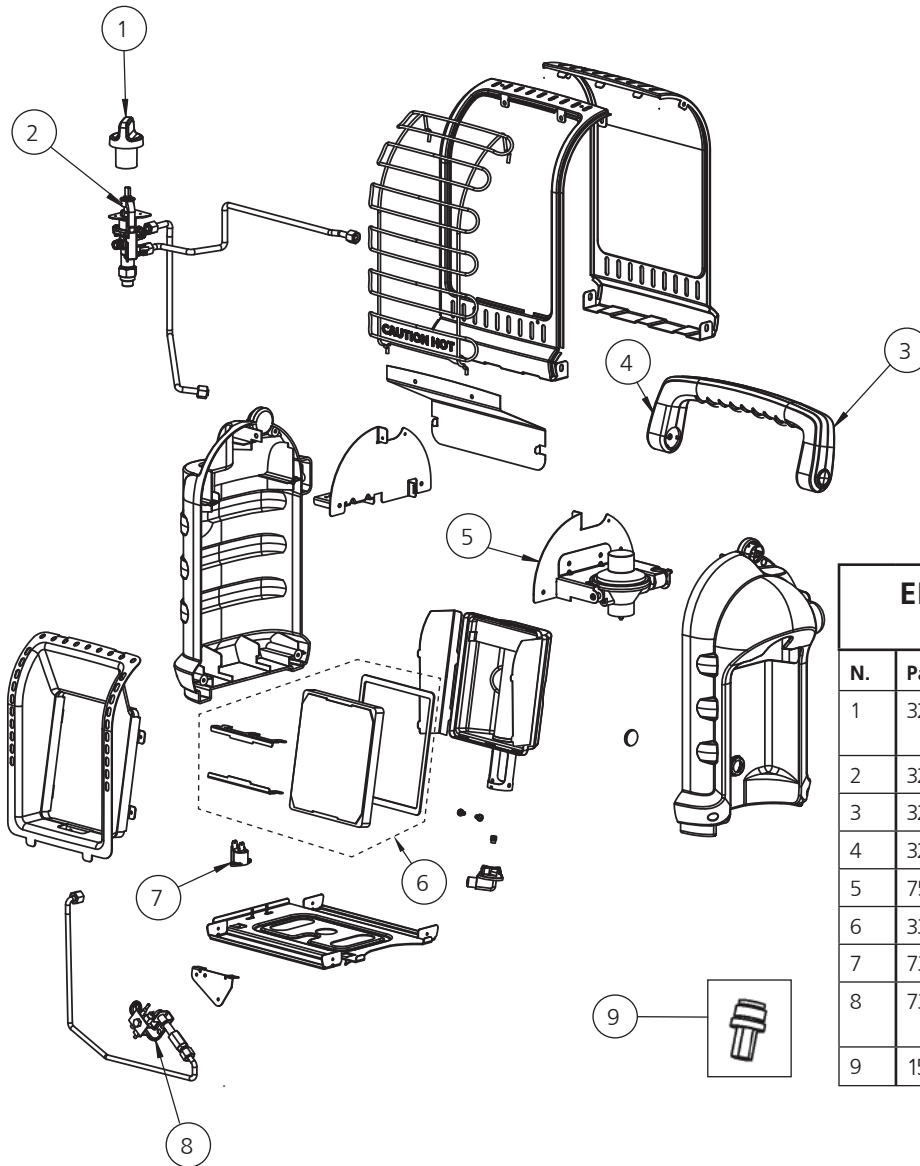
VERIFICARE

- Il foro del bruciatore principale è bloccato – pulire il bruciatore, vedere MANUTENZIONE.

Se la stufa continua a spegnersi durante il normale funzionamento.

VERIFICARE

- Il pilota è bloccato – pulire il pilota, vedere MANUTENZIONE.
- Fornire aperture per l'aria di almeno 9 pollici quadrati (15,24 centimetri quadrati), (ad es. apertura di 3" (7,62 cm) x 3" (7,62 cm)).
- Interruttore antiribaltamento attivato a causa di urto alla stufa. Accendere nuovamente
- Regolatore difettoso - Sostituire regolatore.
- Contaminazione interna - Sostituire la valvola di controllo e il regolatore.
- Chiamare il tecnico dell'assistenza per informazioni aggiuntive.



ELENCO DELLE PARTI DI RICAMBIO:

N.	Parte n.	Descrizione
1	32017	Manopola, valvola, sicurezza, rosso
2	32054	Valvola, unità, controllo
3	32015	Maniglia, retro, plastica, grigio
4	32014	Maniglia, fronte, plastica, grigio
5	75198	Unità, regolatore, con supporto
6	33088	Formella, kit sostitutivo, H9BXDF
7	73403	Interruttore, antiribaltamento
8	73396	ODS (sensore ossigeno), pilota, unità
9	15164	Adattatore butano

ACCESSORI MR. HEATER APPROVATI (venduti separatamente)

ART. N.	DESCRIZIONE
32008	UNITÀ TUBO FLESSIBILE PROPANO 5 ft. (1,52m) (Connettore filettato maschio con rotazione 1"-20 per bombola usa e getta con volantino) (Uso consigliato con filtro combustibile.)
F273699	Filtro combustibile (sostituire annualmente)



ISTRUZIONI DI FUNZIONAMENTO E MANUALE UTENTE

Modello n.
MH8BXDF



ATTENZIONE:

UTILIZZARE SOLAMENTE PARTI DI RICAMBIO DEL PRODUTTORE. L'USO DI ALTRE PARTI PUÒ CAUSARE LESIONI O MORTE. LE PARTI DI RICAMBIO SONO DISPONIBILI SOLAMENTE DIRETTAMENTE DALLA FABBRICA E DEVONO ESSERE INSTALLATE DA UN TECNICO DELL'ASSISTENZA QUALIFICATO. IL TUBO FLESSIBILE MR. HEATER 32008 È PROGETTATO IN MODO SPECIFICO PER L'USO CON QUESTO RISCALDATORE ASSIEME AL FILTRO USA E GETTA PER COMBUSTIBILE F273699 (SOSTITUIRE ANNUALMENTE). L'USO DI ALTRI FLESSIBILI PUÒ RENDERE LA STUFA INUTILIZZABILE.

INFORMAZIONI PER L'ORDINAZIONE DELLE PARTI:

ACQUISTO: gli accessori possono essere acquistati sul sito www.mrheater.com e da rivenditori locali

PER INFORMAZIONI RIGUARDANTI VISITE DI ASSISTENZA: www.mrheater.com

Il nostro orario di lavoro è 8.00-17.00 EST, da lunedì a venerdì.

È possibile parlare con un rappresentante tecnico attraverso il sito web: www.mrheater.com

Includere il numero di modello, la data di acquisto e la descrizione del problema in tutte le comunicazioni.

GARANZIA LIMITATA

Mr. Heater, Inc. garantisce che le sue stufe e gli accessori sono privi di difetti di materiale e di fabbricazione per un periodo di 1 anno dalla data di acquisto. Mr. Heater, Inc. ripara o sostituisce questo prodotto gratuitamente se si è dimostrato difettoso durante il periodo di 1 anno ed è restituito al venditore con prova di acquisto entro il periodo di garanzia.

Mr. Heater, Inc. si riserva il diritto di effettuare modifiche in qualsiasi momento, senza alcun preavviso né obbligo, per quanto riguarda colori, specifiche, accessori, materiali e modelli.

In vendita nei Paesi seguenti:



REGISTRAZIONE DEL PRODOTTO: Grazie per l'acquisto.
Eseguire l'accesso sul sito web <http://www.egiregistration.com> per registrare il proprio prodotto.

MR. HEATER, INC., 4560 W. 160TH ST., CLEVELAND, OHIO 44135 USA • 800-251-0001
Mr. Heater e Portable Buddy sono marchi registrati di Enerco Group, Inc.
© 2015, Enerco/Mr. Heater. Tutti i diritti riservati.



GEBRUIKSAANWIJZING



DRAAGBARE BUDDY STRAALKACHEL

Model #

MH8BXDF

BELANGRIJK: Lees deze gebruiksaanwijzing grondig door voordat u het apparaat aansluit op het gaspatroon. Bewaar deze gebruiksaanwijzing voor toekomstig gebruik.



**GEBRUIK DE KACHEL
ALLEEN MET DE
PATRONEN MET
SPIRAALSCHROEF**



450 GR, exclusief gaspatroon propaangas (G31)

DRAAGBARE KACHEL MET PROPAAAN
(G31) EN BUTAAN-/PROPAANMENGSEL
(G30 + G31) VOOR RECREATIE,
COMMERCIEËL GEBRUIK EN
NOODGEBRUIK BINNENSHUIS

TALEN:

ENGLISH, DEUTSCH, FRANÇAIS, ITALIANO, ESPAÑOL, NEDERLANDS,
PORTUGUÊS, Русский, POLSKI, SUOMI, SVENSKA, NORSK, DANSK.



450 GR, exclusief gaspatroon butaan-/propaanomengsel (G31 + G30)

WAARSCHUWING: Als u zich niet exact aan de aanwijzingen in deze gebruiksaanwijzing houdt, kan er brand of een explosie ontstaan met als gevolg schade aan eigendommen, letsel of zelfs overlijden.

- Sla of gebruik geen benzine of andere brandbare dampen en vloeistoffen in de nabijheid van dit product of andere producten.
- Een cartridge met propaan (G31) of butaan-/propaanmengsel (G30 + G31) niet aangesloten voor gebruik mag niet worden bewaard in de nabijheid van dit product of andere producten.
- WAT U MOET DOEN ALS U GAS RUIKT
 - Probeer niet het product aan te steken.
 - Doof elke open vlam.
 - Schakel de gastoevoer naar het product uit.
- Onderhoud mag alleen door een bevoegde onderhoudsmonteur worden uitgevoerd.

Dit is een niet-geventileerde draagbare kachel met gasvoeding. Het gebruikt lucht (zuurstof) uit de omgeving als het in gebruik is. Er moet voor een goede verbranding en ventilatie worden gezorgd. Raadpleeg bladzijde 3.

WAARSCHUWING:

- !** Elke keer dat een patroon wordt aangesloten op het apparaat moet het eerst op de volgende manieren op lekkages worden gecontroleerd: Gebruik water met een sopje en controleer of er luchtbelletjes ontstaan, luister naar het sissend geluid van ontsnappend gas, voel of er extreme koude is, en ruik of u de geur van rotte eieren kunt ruiken. Als er een gaslekkage is in uw product (geur of gas), dan moet u het apparaat meteen naar buiten nemen naar een locatie waar geen open vlammen zijn en waar het mogelijk is om de lekkage te vinden en te stoppen. Als u uw apparaat op lekkages wilt controleren dan moet u dit buiten doen. Probeer lekkages niet te detecteren met een vlammetje, gebruik water met een sopje. Elke verandering bij deze kachel of de bediening ervan kan gevaarlijk zijn. Breng GEEN wijzigingen aan bij het product.

WAARSCHUWING:

- !** Vroege symptomen van koolmonoxidevergiftiging lijken op koorts, hoofdpijn, duizeligheid en/of misselijkheid. Als u last hebt van deze symptomen werkt de kachel misschien niet goed. Ga onmiddellijk naar buiten voor frisse lucht! Laat de kachel nakijken.

WAARSCHUWING:

- !** U MAG DEZE KACHEL NIET BINNEN GEBRUIKEN als recreatieruimte of commerciële bedoening geen venster of dakventilatie heeft. Alleen gebruiken in een goed geventileerde ruimte.

INHOUDSOPGAVE

Algemene veiligheidsaanwijzingen	2
Waarschuwing geurvermindering	3
Algemene informatie	4
Gebruiken met wegwerppatronen met propaan	4
Gebruiken met via een slang verbonden extern patroon....	5
Onderhoud	6
Problemen	7
Onderdelenlijst	8
Bestelinformatie voor onderdelen	9
Onderhoudsinformatie	9

SPECIFICATIES

MODELNR.....	MH8BXDF
GASTYPE.....	Propaan (G31) zoals Coleman en 70/30 butaan/propaanmengsels (G30 + G31) zoals Primus Power Gas
INVOER BTU/U.....	4.000 (1,17 KW) / 8.000 (2,4 KW)
RUIMTE TUSSEN BRANDBARE STOFFEN	
BOVENKANT	76,2 cm
VOORKANT	60,96 cm
ZIJKANTEN	15,24 cm
ACHTERKANT	0,0 cm

Opgelet:

- Sommige tapijten of linoleum oppervlakken kunnen verkleuren als de kachel direct op deze vloerbedekkingen wordt geplaatst.
- Als u de kachel op grotere hoogten dan 200 cm boven zeeniveau gebruikt brand kan de kachel uit gaan. (Raadpleeg ALGEMENE INFORMATIE).

WAARSCHUWING:

- Dit apparaat mag alleen worden gebruikt met dampdruk propaan 100% (G31) en met een propaan-/butaanmengsel van 70/30 (G30 + G31). Het kan gevaarlijk zijn om andere typen gaspatronen aan te sluiten.

ALGEMENE VEILIGHEIDSAANWIJZINGEN

DIT IS EEN KACHELTJE. GEBRUIK DIT APPARAAT NIET ZONDER HET BESCHERMINGSROOSTER AAN DE VOORKANT! PROBEER GEEN ETENSWAREN OP DEZE KACHEL TE KOKEN OF TE VERWARMEN.

- Gebruik geen niet-goedgekeurde hulpstukken op deze kachel. breng geen wijzigingen aan op het apparaat. Breng geen wijzigingen aan op het apparaat.
- Vanwege de hoge temperaturen moet het uit de buurt van het loopverkeer en brandbare materialen worden geplaatst. (Zie SPECIFICATIES).
- OPGELET: Toegankelijke onderdelen kunnen erg heet zijn. Houd jonge kinderen uit de buurt van het apparaat. Kinderen en volwassenen moeten worden gewaarschuwd over de hoge oppervlakte temperaturen en dienen uit de buurt te blijven om brandwonden of beschadigde kleding te voorkomen.
- Jonge kinderen moeten in de gaten worden gehouden als ze in de nabijheid van het apparaat komen.
- Leg geen kleding of ander brandbaar materiaal neer in de buurt of op het apparaat.
- Gebruik de kachel niet in rijdende voertuig zoals caravans en kampeerauto's. Niet gebruiken in hoge flatgebouwen, kelders, badkamers of slaapkamers.
- Deze kachel kan tevens worden gebruikt in recreatieve ruimten en winkels met een raam of dakventilatie. Tevens kan het ook buitenshuis worden gebruikt.
- Voor deze kachel is een goed geventileerde locatie van minimaal 23 cm² (bijvoorbeeld 7,62 cm x 7,62 cm) nodig voor een goede ventilatie tijdens het gebruik en dat komt overeen met de vereisten voor aanvoeren van verbrandingslucht. Gebruik geen andere brandstof in het apparaat.
- DE GASDRUK BIJ DE KACHEL WORDT GEREGLD EN VASTGESTELD OP 27,4 MILLIBAR. U MAG NOOIT DE AANVOER VAN HET PATROON MET PROPAAAN (G31) OF BUTAAN-/PROPAAANMENGSEL (G30 + G31) NAAR DE KACHEL REGELEN!
- DE REGELAAR IN DE KACHEL MOET ALTIJD OP ZIJN PLEK ZITTEN TIJDENS GEBRUIK.
- Als het veiligheidsscherm werd verwijderd voor het plegen van onderhoud dan moet het weer worden teruggeplaatst voordat de kachel wordt ingeschakeld.
- Het apparaat moet voor elk gebruik worden geïnspecteerd. Het apparaat moet regelmatig worden schoongemaakt. De regelcompartimenten, brander en kanalen voor de circulatielucht moeten schoon blijven, raadpleeg ONDERHOUD.
- Gebruik deze kachel NIET als onderdelen ervan onder water

- zijn geweest. Neem meteen contact op met een bevoegd onderhoudsmonteur om de kachel te inspecteren en om de onderdelen van de regel- en gassystemen die onder water hebben gelegen te vervangen.
- Als deze kachel zonder adequate verbrandings- en ventilatielucht wordt gebruikt, ontstaat er KOOLMONOXIDE, een giftig gas zonder geur.
 - Sommige mensen - zwangere vrouwen, iedereen met een hart- of longziekte, bloedarmoede, mensen onder de invloed van alcohol, en iedereen op grote hoogte - heeft meer last van koolmonoxide dan anderen.
 - Als de kachel op de grond wordt geplaatst, moet u controleren of de grond vlak en recht is, en houd voorwerpen ten minste (60 cm) uit de buurt van de voorzijde van de kachel. VERPLAATS DE KACHEL TIJDENS HET GEBRUIK ERVAN NIET. SCHOKKEN EN STOTEN KUNNEN DE KANTELBEVEILIGING INSCHAKELEN. LAAT DE KACHEL NOOIT ZONDER TOEZICHT ALLEEN OF ALLEEN MET KINDEREN DIE DE KACHEL MISSCHIEF KUNNEN OMGOOIEN. GEBRUIK DE KACHEL NOOIT ALS U GAAT SLAPEN!

WAARSCHUWING GEURVERMINDERING

WAARSCHUWING

Verstikkingsgevaar

- Niet gebruiken in niet-geventileerde ruimten.
- De stroom van verbrandings- en ventilatielucht mag niet worden gehinderd.
- Er moet voor goede ventilatielucht worden gezorgd ter ondersteuning van de verbrandingsluchtvereisten van de kachel die wordt gebruikt.
- Raadpleeg de specificaties in de gebruiksaanwijzing van de kachel, het informatieplaatje op de kachel of neem contact op met de fabriek om achter de ventilatievereisten van verbrandingslucht van de kachel te komen.
- Een gebrekkig ventilatie leidt tot een slechte verbranding.
- Een slechte verbranding kan leiden tot koolmonoxidevergiftiging met ernstig letsel of overlijden tot gevolg. Symptomen van koolmonoxidevergiftiging zijn hoofdpijn, duizeligheid en moeilijk ademen.

GASGEUR

Propaan (G31) en butaan-/propaanmengsel (G31 + G30) hebben een kunstmatig toegevoegde geur, speciaal toegevoegd om gaslekkages te detecteren. Als er een gaslekkage is moet u het gas kunnen ruiken. Aangezien propaan (G31) zwaarder is dan lucht, moet u de gasgeur vlakbij de vloer ruiken. ELKE GASGEUR IS VOOR U HET SIGNAAL OM DIRECT IN ACTIE TE KOMEN!

- Doe niets dat het gas zou kunnen doen ontbranden. Haal geen elektrische schakelaars over. Haal geen stekkers of verlengsnoeren uit stopcontacten. Steek geen lucifers of andere brandbare zaken aan. Gebruik uw telefoon niet.
- Evacueer iedereen uit het gebouw en uit de buurt van de getroffen ruimte.
- Sluit alle kleppen van propaan (G31) gasreservoirs of -patronen, of hoofdkleppen bij de meter af als u aardgas gebruikt.
- Propaan (G31) is zwaarder dan lucht en kan zich ophopen in lagere ruimtes. Als u vermoed dat er een propaanlek is, moet u uit de buurt van deze lage ruimtes blijven.

- Bel bij de burens naar uw gasleverancier en de brandweer. Ga niet weer het gebouw of ruimte in.
- Blijf uit de buurt van het gebouw en ruimte totdat door de brandweer en gasleverancier het sein is gegeven dat het veilig is.
- Laat personeel van het energiebedrijf en brandweerlieden controleren op ontsnapt gas. Laat ze het gebouw en ruimte ontluchten voordat u terugkeert. Goed opgeleid onderhoudspersoneel moet eventuele lekkages repareren en controleren op potentiële lekkages, en daarna het apparaat weer voor u aansteken.

GEURVERMINDERING - GEEN GEUR GEDETECTEERD

- Niet iedereen heeft een goede neus. Sommige mensen kunnen de geur van de kunstmatige chemische stof toegevoegd aan het propaan (G31) NIET ruiken. U moet ontdekken of u de geur in deze gassen kunt ruiken.
- Leer hoe u de geur van propaan (G31) moet herkennen. Bij locale leveranciers van propaan (G31) kunt u aan een papertje ruiken en krabben. Doe dit om te weten te komen hoe gas ruikt.
- Roken zorgt ervoor dat u minder goed kunt ruiken. Als u voor langere tijd bloot bent gesteld aan een bepaalde geur wordt u ongevoelig voor die specifieke geur. Geuren in ruimten met dieren kunnen de geur van gas maskeren.
- **De geur in propaan (G31) is kleurloos en de intensiteit van de geur kan in sommige situaties afnemen.**
- Als de lekkage ondergronds is, kan aarde als filter voor de geur fungeren.
- De intensiteit van propaan (G31) is per niveau verschillend. Aangezien propaan (G31) zwaarder is dan lucht, kan er meer geur zijn op de lagere niveaus.
- **Let altijd goed op de minste gasgeur.** Als u een gasgeur blijft ruiken, ongeacht hoe zwak, moet u het behandelen als een ernstig lek. Onderneem onmiddellijk de eerder besproken acties.

OPGELET - BELANGRIJKE PUNTEN OM TE ONTHOUDEN!

- Propaan (G31) of butaan-/propaanmengsel (G30 + G31) heeft een aparte geur. Leer deze geuren kennen. (Raadpleeg de bovenstaande hoofdstukken Gasgeur en Geurvermindering.)
- Zelfs als u niet bent opgeleid in het onderhouden en repareren van de kachel, moet u ALTIJD bewust zijn van de geuren van propaan (G31) en aardgas.
- Als u niet (goed) bent opgeleid in het repareren of onderhouden van apparaten met propaan (G31) of butaan-/propaanmengsels (G30 + G31) mag u niet proberen de kachel aan te steken, reparaties of onderhoud uitvoeren, of aanpassingen bij de kachel aanbrengen bij het propaan-(G31) of butaan-/propaanmengselsysteem.
- Voer regelmatig een ruiktest uit bij de kachel of aansluitpunten ervan, bijvoorbeeld de slang, aansluitingen et cetera. Het is een goede veiligheidsoefening onder alle omstandigheden. Als u zelfs maar een zwakke geur van gas ruikt, MOET U CONTACT OPNEMEN MET UW GASLEVERANCIER. NIET WACHTEN!

ALGEMENE INFORMATIE:

- Deze kachel kan veilig binnenshuis in kleine recreatieve ruimten worden gebruikt die geschikt zijn voor de aanvoer van verbrandingslucht en een ventilatie hebben zoals tenten, cabines, vissershutten, en omsloten portieken. Het kan binnenshuis worden gebruikt als noodverwarming als het wordt aangesloten op een wegwerp gaspatroon van propaan (G31) van 465g, OF een butaan-/propaanmengsel (G30 + G31) van 450g, en voor gebruik binnen in commerciële ruimten die geschikt zijn voor de aanvoer van verbrandingslucht en een ventilatie hebben, zoals bouwtrailers of tijdelijke werkruimten.

Opmerking: De kachel kan buiten worden gebruikt maar kan wel steeds uitvallen als gevolg van de wind.

- Als de kachel koud of op kamertemperatuur is zal het enkele minuten duren voordat de branderplaat helder oranje zal kleuren. Dit is normaal en de kachel functioneert goed. Als de plaat duidelijk vlammen vertoont, moet u de kachel uitschakelen en een bevoegd onderhoudsmonteur erbij halen.
- Als het apparaat brandt moet er een rand zijn van ongeveer 0,635 cm rondom de plaat zijn die niet helder oranje brandt. Dit is normaal.
- Als u de kachel voor het eerst gebruikt kan de bovenkant van de reflector verkleuren. Ook dit is normaal en geen reden tot zorg.
- Als u de kachel groter hoogten dan 200 km boven zeeniveau gebruikt brand het apparaat niet zo helder als op lager hoogten. Dit is normaal. Op grotere hoogten kan de kachel uitvallen. Als dat gebeurt moet u frisse lucht aanvoeren, 5 minuten wachten en dan opnieuw aansteken. Als gevolg van lokale atmosferische condities kan het zijn dat dit niet lukt.
- De werktijd is afhankelijk van de instelling op de kachel en de grootte van het patroon. Van 3 tot 6 uren op een propaanpatroon (G31) van 1 lb of 3 tot 6 uren op een patroon van 450G met 70/30 aan butaan-/propaanmengsel (G30 + G31). Van 48 tot 110 uren op een patroon van 20 lb (5KG) (afhankelijk van de "HI" en "LO" instellingen). Vanwege de eigenschappen propaangas (G31) kunnen de werktijden significant worden verminderd als er constant wordt gebrand bij temperaturen lager dan -20 F.
- Deze kachel is uitgerust met een veiligheidsschakelaar om omkantelen te voorkomen. Het kan zijn dat de kachel steeds wordt uitgeschakeld als het apparaat wordt verplaatst of als er tegenaan wordt gestoten. Als dat gebeurt hoeft u de kachel alleen maar opnieuw aan te steken.
- Als gevolg van de natuurlijke werking van kleine tanks, kan er condensatie ontstaan op de tank en op het oppervlak onder de kachel druppelen. Soms kan deze condensatie bevroren als gevolg van de extreme koude veroorzaakt als propaan (G31) verdampt. Dit is normaal en geen reden tot zorg.

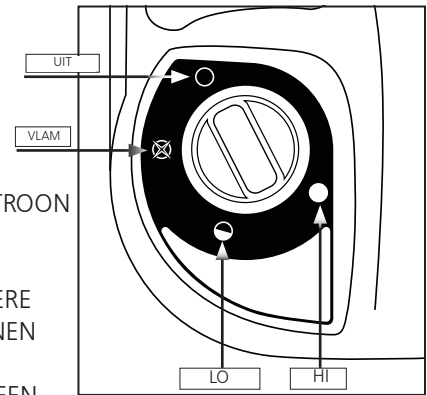
AANSTEKEN / GEBRUIKSAANWIJZING VOOR GEBRUK MET WEGWERPPATRONEN MET 1 LB AAN PROPAAAN (G31) OF 450G AAN 70/30 BUTAAN-/PROPAAANMENGSEL (G30 + G31):

WAARSCHUWING: Inspecteer altijd het gaspatroon en de propaan-/butaanadaptersaansluitingen de kachel op schade, vuil en rommel voordat u een gaspatroon gaat aansluiten. Niet gebruiken als de kop van het gaspatroon is beschadigd, er gaten in zitten of is versleten.

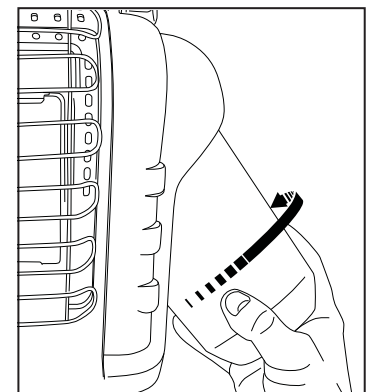
U MOET HET GASPATROON ALTIJD BUITEN UIT DE BUURT VAN VLAMMEN, EN ANDERE ONTSTEKINGSBRONNEN AANSLUITEN OF AFKOPPELEN EN ALLEEN ALS DE KACHEL KOUD GENOEG IS OM AAN TE RAKEN. ROOK NOOIT ALS U EEN PATROON MET PROPAAAN OF BUTAAN-/PROPAAANMENGSEL (G30 + G31) AANSLUIT OF AFKOPPELD.

- Gebruik wegwerppatronen met 1 lb aan propaan (G31) die passen op de nr. 600 klepaansluiting of de 70/30 butaan-/propaanmengsels (G31 + G31) met schroeftype 7/16-28 ENF-2B.
- Controleer of de afdichtingen (tussen het apparaat en het gaspatroon) op hun plek zitten en in goede conditie zijn voordat u ze aansluit op het gaspatroon). Afbeelding 4 Gebruik het apparaat niet als de afdichtingen beschadigd of versleten zijn. Gebruik het apparaat niet als het lekt, is beschadigd, of als het niet goed functioneert.

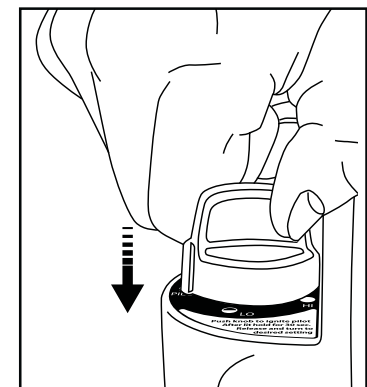
- Controleer of de regelknop in de "OFF"  stand staat; zie Afbeelding 1.
- Gebruiken met propaan: Draai de regelaar naar buiten toe zodat het reservoir makkelijk kan worden geïnstalleerd. Schroef het wegwerppatroon met 1 lb (465g) aan propaan net zolang rechtsonder (vanaf de onderkant) in de draagbare kachel totdat het vastzit; zie Afbeelding 2. Gebruik GEEN kit op deze aansluiting.
- Gebruiken met een butaan-/propaanmengsel (G31 + G30):



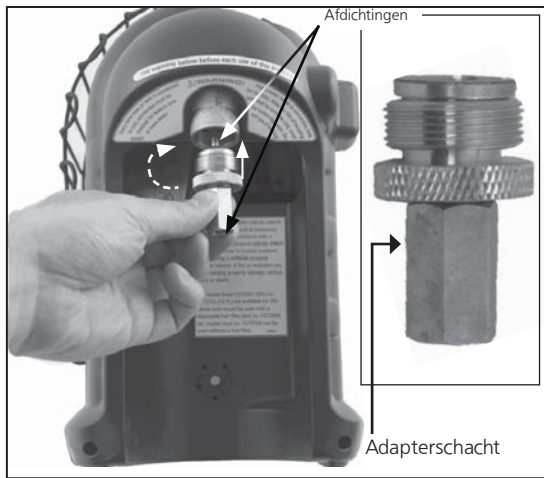
Afbeelding 1: Regelknop



Afbeelding 2: Gastank aansluiten



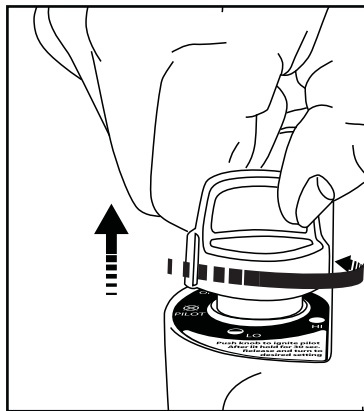
Afbeelding 3: Ontsteken



Afbeelding 4: "Butaanadapter"



Schroef de geelkoperen adapter rechtstom in de draagbare kachel (vanaf de onderkant) totdat het vastzit. Zie afbeelding 4. Gebruik geen kit op deze aansluiting. Schroef het patroon met het butaan-/propane mengsel in de adapter (rechtstom), zodra de schacht op de adapter begint met draaien is het patroon aangesloten. Bevestig het patroon in de standaard.

- Controleer met behulp van een sopje de adapter en de patroonaansluitingen op lekkages bij de schroefaansluiting onder de plastic koepel waar het patroon in de regelaar wordt geschroefd. LEES DE WAARSCHUWING OP DE BOLLE PLASTIC DEKSEL!
- Draai de regelknop linksom richting "PILOT"  en druk het in om het te ontsteken; zie Afbeeldingen 1 en 3.
- Als de kachel niet gaat branden moet u de knop ongeveer 30 seconden ingedrukt houden; laat de knop los en druk het weer in. Blijf dit herhalen totdat het waakvlammetje blijft.
- Als het vlammetje blijft branden moet u de knop ongeveer 30 á 60 seconden ingedrukt houden en daarna weer loslaten. De knop moet weer naar voren schuiven; Als u de knop wilt gebruiken moet u de knop een beetje indrukken en het langzaam naar de "HI"  stand draaien om de brandertegel te laten branden. Laat het net zolang in de "HI"  stand staan totdat de brandertegel helder oranje kleurt. Afbeelding 5.





Afbeelding 5: "Knop loslaten"

OPMERKING: Opvlammen is normaal als het apparaat voor het eerst wordt aangestoken. Houd uw gezicht en brandbare voorwerpen uit de buurt van het apparaat.

- Als de brandertegel helder oranje brandt, kunt u de warmte afstellen door de regelknop naar de gewenste stand te draaien ("LO"  of "HI" ); zie Afbeelding 1.

Waarschuwing:

 **GEBRUIK DE KACHEL NIET TENZIJ DE REGELKNOP VASTZIT IN DE STANDEN "HI", "LO" OF "PILOT". ZET DE REGELKNOP NOOIT TUSSEN TWEE STANDEN IN. SLECHTE VERBRANDING EN HOGER KOOLMONOXIDEGEHALTE KUNNEN HET GEVOLG ZIJN.**

- Druk de regelknop een beetje in en draai het rechtstom naar de "OFF"  stand om de kachel uit te schakelen.
- OPGELET: Toegankelijke onderdelen kunnen erg heet zijn. Het rooster op dit apparaat heeft als doel brand of brandwonden te

voorkomen en niets ervan mag permanent worden verwijderd. HET GEEFT GEEN VOLLEDIGE BESCHERMING VOOR JONGE KINDEREN OF GEHANDICAPTEN. Goed laten afkoelen voordat u het gaat opbergen.

- Draai de regelknop in de "OFF"  stand. Controleer of de branders helemaal zijn uitgedoofd voordat u het gaspatroon afkoppelt.
- HET VERWIJDEREN VAN HET PROPANPATROON (G31): Haal het patroon uit de standaard en draai het net zolang linksom totdat het van de kachel is losgekoppeld.
- HET VERWIJDEREN VAN EEN PATROON MET EEN BUTAAN-/PROPANMENGSEL (G31 + G30): Haal het patroon uit de standaard en draai het net zolang linksom totdat het van de adapter is losgekoppeld.
- Zodra het patroon is verwijderd kunt u de butaanadapter los-schroeven door het net zolang linksom te draaien totdat het van de kachel is losgekoppeld.
- Het gaspatroon niet gebruiken, opbergen over verwijderen vlakbij brandbare artikelen of ontstekingsbronnen. Verwissel patronen alleen in een goed geventileerde ruimte of, bij voorkeur buiten, uit de buurt van ontstekingsbronnen zoals open vuren, waakvlammen, elektrische vuren en andere mensen.
- PATRONEN MET PROPAN (G31) OF BUTAAN-/PROPANMENGSELS (G30 + G31) MOETEN VAN DE KACHEL WORDEN AFGEKOPPELD ALS DEZE NIET WORDT GEBRUIKT! Controleer of de afdichtingen voordat u een nieuw patroon aansluit op het apparaat.

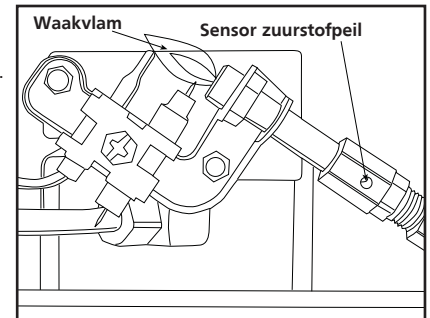
ONDERHOUD:

VOORZORGSMAATREGELEN DIE MOETEN WORDEN GENOMEN ALS HET APPARAAT VOOR LANGE TIJD NIET GEBRUIKT GAAT WORDEN:

Houd de kachelruimte vrij van brandbare materialen, benzine en andere brandbare dampen en vloeistoffen.

Berg de kachel na het afkoelen op in een tas met ritssluiting of op een andere stofvrije locatie.

Houd de ventilatiegaten aan de bovenkant aan de voorzijde van de kachel altijd vrij.



Afbeelding 6

Voer regelmatig tijdens gebruik een visuele inspectie uit op het waakvlammetje en de brander. Het waakvlammetje moet een blauwe kleur hebben (niet geel) en zal naar de thermokoppeling gaan. Het vlammetje zal net onder de punt de thermokoppeling omgeven. Zie Afbeelding 6.

Er kan een ietwat geelgekleurde vlam ontstaan op de plek waar het waakvlammetje en de vlam van de hoofdbrander elkaar raken. De brander moet helder oranje (met een lichtblauwe kleur bij de rand, en een rood-oranje gloed welke zichtbaar is op de keramische tegel is eveneens geen probleem) branden en zonder een duidelijke vlam. Een blauwe vlam die vanuit de bovenkant van de keramische tegel rolt geeft een opeenhoping van stof, pluizen of spinrag in de behuizing en de hoofdbrander aan. Als het vlammetje geel is, of de brander laat duidelijk een vlam zien, dan moet er een schoonmaakbeurt worden uitgevoerd. Voer de volgende procedure uit om de behuizing en de hoofdbrander te inspecteren.

Het gat van de brander en venturibus moet regelmatig worden gecontroleerd om te garanderen dat ze vrij zijn van insectennesten of spinrag die in de loop der tijd opeen kunnen hopen. Een verstopte buis kan tot brand leiden.

1. Laat de kachel eerst goed afkoelen voordat u onderhoud gaat plegen.
2. Haal het patroon uit de kachel of schakel de gastoevoer uit bij de externe patroonklep, en ontkoppel de slang van de kachel.
3. Verwijder de vier (4) schroeven die de achterkap van de kachel vastklemmen.
4. Haal de kap er vanaf de onderkant af. Los maken van de 2 klemmen aan de bovenkant. Terzijde leggen.
5. Verwijder de vier (4) schroeven voor de branden en de gas-slang uit de brander. Verwijder de brander uit de achterkant van de behuizing.
6. Inspecteer de binnenkant van de behuizing op stof, pluizen of spinrag. Indien nodig moet u de binnenkant van de behuizing schoonmaken met een stofzuiger of perslucht. Beschadig geen onderdelen in de behuizing tijdens het schoonmaken.
7. Inspecteer het gat van de hoofdbrander (in de gathouder geschroefd) en maak deze schoon. De gathouder is met twee (2) schroeven aan de venturibuis van de brander gekoppeld.
8. Inspecteer de ontsteker (op een beugel gemonteerd) en maak deze schoon met behulp van een stofzuiger of perslucht via de gaten in de ontsteker zoals aangegeven door de pijlen in Afbeelding 6. WAARSCHUWING: Maak nooit gebruik van naalden, draden of soortgelijke cilindrische voorwerpen om de ontsteker schoon te maken zodat schade aan het gekalibreerde gat dat de gasstroom regelt wordt voorkomen.
9. Gebruik perslucht (max. 30 psi) om de keramische tegel van de brander en de venturibuis (ref. artikel #16) vrij te maken van stof, pluizen of spinrag.
10. Plaats de gathouder van de hoofdbrander weer op de brander.
11. Plaats de brander weer in de behuizing van de kachel.
12. Bevestig de gasslang weer en controleer op lekkages.
13. Bevestig de achterkap van de kachel weer.

INFORMATIE OVER HET VERHELLEN VAN PROBLEMEN:

Als de elektrode geen vonken genereert.

CONTROLEER

- De elektrode is defect - vervang ODS (sensor zuurstofpeil 'Oxygen Depletion Sensor).
- Het ontstekingsdraad is misschien niet aangesloten op de elektrode, de aarding is misschien niet aangesloten op het frame - aansluiten.
- Het ontstekingsdraad is beschadigd - vervangen
- Piëzo-ontsteker defect - gasassemblage vervangen.

Als de elektrode wel een vonk genereert maar geen vlam maakt.

CONTROLEER

- Geen gas aanvoer naar de kachel - plaats het wegwerppatroon of sluit de slang aan en schakel de klep in bij het externe patroon.
- "PILOT"-stand niet goed uitgelijnd - draai de regelknop naar de "PILOT"-positie en druk deze in.
- Vlam geblokkeerd door spinrag of vuil - maak buis schoon, raadpleeg ONDERHOUD.

Als het vlammetje niet blijft branden als de knop wordt losgelaten.

CONTROLEER

- U hebt de regelknop "PILOT" niet helemaal ingedrukt of lang genoeg ingedrukt gehouden om de lucht uit de lijnen te halen.
- De waakvlam omgeeft de thermokoppeling niet helemaal - maak het schoon, raadpleeg ONDERHOUD.
- Vlamassemblage defect - vervangen.
- Schakelbedrading punt afgekoppeld - aansluiten.

Als de hoofdbrander niet gaat branden.

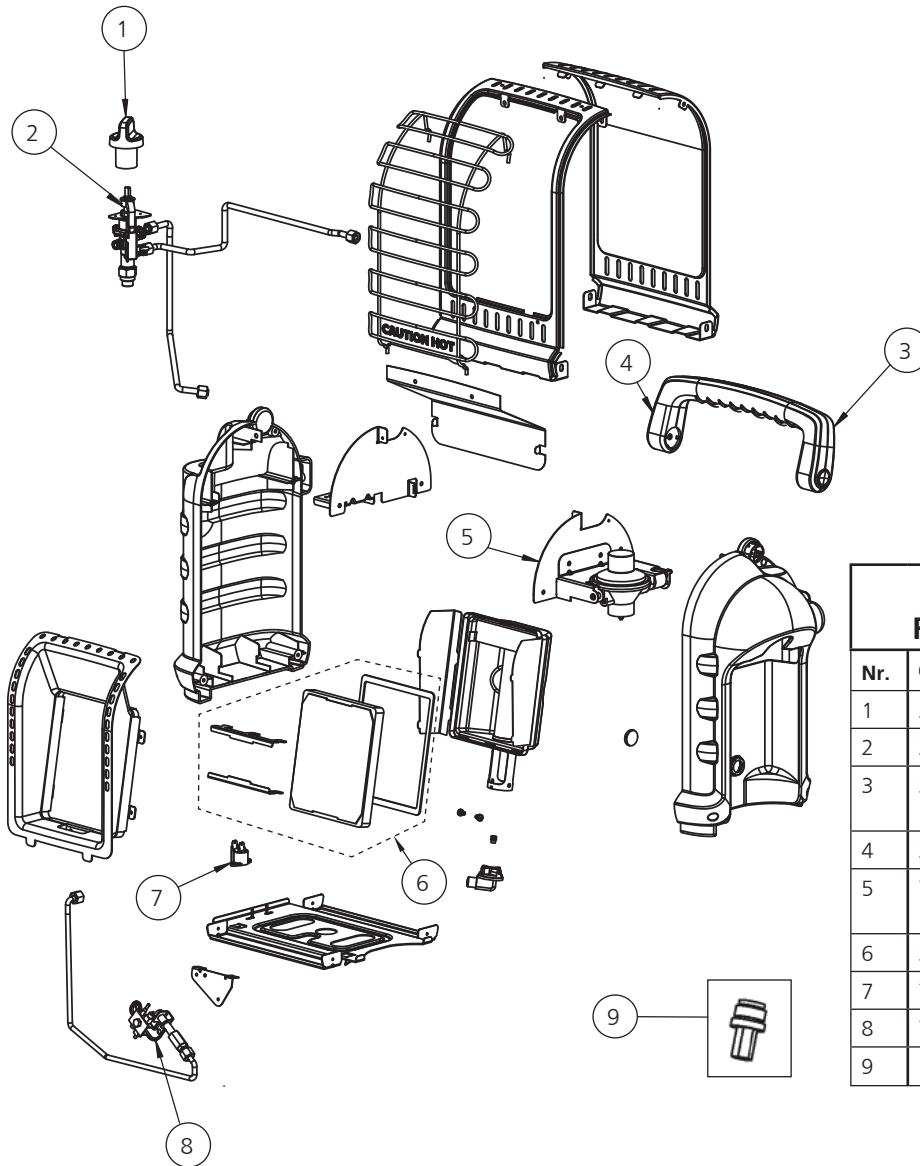
CONTROLEER

- Het gat van de hoofdbrander is verstopt - maak de brander schoon, raadpleeg ONDERHOUD.

Als de kachel uit blijft gaan tijdens normaal gebruik.

CONTROLEER

- Vlam geblokkeerd - maak buis schoon, raadpleeg ONDERHOUD.
- Zorg ervoor dat er minimaal een opening van 15 cm² is voor frisse lucht (bijvoorbeeld 7,62 cm x 7,62 cm).
- Omkantelschakelaar geactiveerd vanwege stoten tegen kachel. Opnieuw aansteken
- Regelaar defect - regelaar vervangen.
- Interne vervuiling - vervang de regelklep en regelaar.
- Neem contact op met de technische afdeling voor extra informatie.



**LIJST MET
RESERVEONDERDELEN:**

Nr.	Onderdeel	Beschrijving
1	32017	Knop, klep, veiligheid, rood
2	32054	Klep, Assemblage, regel
3	32015	Hendel, achterzijde, plastic, grijs
4	32014	Hendel, voorzijde, plastic, grijs
5	75198	Assemblage, regelaar, m/ ondersteuning
6	33088	Tegel, vervangingskit, H9BXDF
7	73403	Schakelaar, omkantelen
8	73396	ODS, vlam, assemblage
9	15164	Butaanadapter

GOEDGEKEURDE MR. HEATER ACCESSOIRES (los verkocht)

ARTIKEL #	BESCHRIJVING
32008	PROPAANSLANG VAN 1,52 METER (wartel 1" - 20 wegwerp mannelijk cyl. Thd. X P.O.L. m/ handwiel) (aanbevolen bij gasfilter).
F273699	Gasfilter (jaarlijks vervangen)



GEBRUIKSAANWIJZING

Model #
MH8BXDF



WAARSCHUWING:

GEBUIK ALLEEN RESERVEONDERDELEN VAN DE FABRIKANT. HET GEBUIK VAN ANDERE ONDERDELEN KAN LETSEL OF OVERLIJDEN VEROORZAKEN. RESERVEONDERDELEN ZIJN ALLEEN BIJ DE FABRIEK VERKRIJGBAAR EN MOETEN DOOR BEVOEGD ONDERHOUDSPERSONEEL WORDEN GEPLAATST.

MR. KACHELSLANG 32008 IS SPECIAAL ONTWERPEN OM BIJ DEZE KACHEL TE WORDEN GEBUIKT IN COMBINATIE MET HET F273699 WEGWERPFILTER (JAARLIJKS VERVANGEN). HET GEBUIK VAN ANDERE SLANGEN KAN DE KACHEL ONBRUIKBAAR MAKEN.

ONDERDELEN BESTELLEN:

KOPEN: Accessoires kunnen worden besteld via www.mrheater.com en lokale distributeurs.

GA VOOR MEER INFORMATIE OVER ONDERHOUD NAAR: www.mrheater.com

Onze openingstijden zijn 8:00 - 17:00, EST, van maandag tot vrijdag.

U kunt chatten met een vertegenwoordiger van de technische afdeling op www.mrheater.com.

Geef uw modelnummer, aankoopdatum en een beschrijving van het probleem op tijdens het chatgesprek.

BEPERKTE GERANTIE

Mr. Heater, Inc. garandeert dat zijn kachels en accessoires vrij zijn van defecten in materiaal en vakmanschap voor een periode van één jaar volgend op de datum van aanschaf. Mr. Heater, Inc. zal dit product kosteloos vervangen of repareren als bewezen is dat het binnen één jaar defect is geraakt, en tijdens de garantieperiode met aankoopbon wordt teruggestuurd naar de winkel of leverancier.

Mr. Heater, Inc. behoudt het recht voor om op elk moment wijzigingen aan te brengen, zonder voorafgaande mededeling of verplichting, in de kleuren, specificaties, accessoires, het materiaal en de modellen.

Voor de verkoop in de volgende landen:



PRODUCTREGISTRATIE: Bedankt voor uw aankoop.
Log in op <http://www.egiregistration.com> om uw product te registreren.

MR. HEATER, INC., 4560 W. 160TH ST., CLEVELAND, OHIO 44135 USA • 800-251-0001
Mr. Heater and Portable Buddy zijn geregistreerde handelsmerken van Enerco Group, Inc.
© 2015, Enerco/Mr. Heater. Alle rechten voorbehouden.



INSTRUÇÕES DE OPERAÇÃO E MANUAL DO PROPRIETÁRIO



AQUECEDOR RADIANTE PORTÁTIL

Modelo Nº

MH8BXDF

IMPORTANTE: Leia as instruções de utilização com cuidado, de modo a familiarizar-se com o aparelho antes de conectá-lo ao seu cartucho de gás. Guarde estas instruções para futura referência.



**USE O AQUECEDOR
SOMENTE COM
CARTUCHO ROSCADO**



Cartucho de 1 libra (450g) de gás propano (G31) não incluído

**AQUECEDOR PORTÁTIL A GÁS PROPANO
(G31) E COM MISTURA DE (G30 + G31)
BUTANO/PROPANO PARA USO INTERNO,
RECREACIONAL, COMERCIAL E
EMERGÊNCIA**

IDIOMAS INCLUÍDOS:

INGLÊS, ALEMÃO, FRANCÊS, ITALIANO, ESPANHOL, HOLANDÊS,
PORTUGUÊS, RUSSO, POLONÊS, FINLANDÊS, SUECO, NORUEGUÊS,
DINAMARQUÊS.



Cartucho com mistura de (G30 + G31) gás propano/butano (450g) não incluído

AVISO: Se as informações contidas neste manual não são exatamente seguidas, podem resultar em um incêndio ou explosão a causar danos materiais, ferimentos ou perda de vidas.

- Não guarde ou utilize gasolina ou outros vapores ou líquidos inflamáveis junto deste ou de outros aparelhos.
- Um cartucho com mistura de propano (G31) ou butano/propano (G30 + G31) não estiver conectado para uso não deve ser armazenado nas imediações deste ou de qualquer outro aparelho.
- O QUE FAZER SE SENTIR CHEIRO DE GÁS
 - Não tente acender o aparelho.
 - Apague qualquer chama aberta.
 - Desligue o gás do aparelho.
- O serviço deve ser executado por uma agência de assistência técnica qualificada.

Este é um aquecedor portátil a gás não ventilado. Ele utiliza o ar (oxigênio) a partir da área em que ele é usado. Devem ser fornecidas a combustão e o ar de ventilação adequados. Ver página 3.

AVISO:

⚠ Cada vez que um tanque é conectado a unidade, a conexão deve ser verificada se há vazamentos em uma ou mais formas: Aplique água com sabão à conexão, procure por bolhas, escute chiado de fuga de gás, sentir frio extremo, cheiro de odor de ovo podre. Se houver um vazamento em seu aparelho (cheiro de gás), leve-o para fora imediatamente para um local livre de chama e bem ventilado onde o vazamento pode ser detectado e parado. Se você deseja verificar se há vazamentos no aparelho, faça-o do lado de fora. Não tente detectar vazamentos com uma chama, use água e sabão. Quaisquer alterações a este aquecedor ou seus controles podem ser perigosas. **NÃO** modifique o aparelho.

AVISO:

⚠ Os primeiros sinais de intoxicação por monóxido de carbono se assemelham a gripe, com dor de cabeça, tontura e/ou náusea. Se você tem esses sinais, o aquecedor pode não estar a funcionar corretamente. Apanhe ar fresco imediatamente! Tem o aquecedor prestado serviço.

AVISO:

⚠ Se o recinto de recreio ou comercial não tiver uma janela ou telhado de ventilação, **NÃO USE ESTE AQUECEDOR INTERNAMENTE**. Utilizar apenas em áreas bem ventiladas.

ÍNDICE

Instruções Gerais de Segurança	2
Aviso de desvanecimento de odor	3
Informações Gerais	4
Operar com cartuchos descartáveis de propano	4
Operar com mangueira conectada ao cartucho remoto ...	5
Manutenção	6
Solução de Problemas	7
Lista de Peças	8
Informação sobre Encomenda de Peças	9
Informação de Serviço	9

ESPECIFICAÇÕES

MODELO Nº.....	MH8BXDF
TIPO DE GÁS...Gás propano (G31) tal como Coleman e misturas de gás (G30 + G31) butano/propano 70/30 tais como Primus Power Gas.	
INPUT BTU/HR.....	4000 (1,17 KW) / 8000 (2,4 KW)
ABERTURA PARA COMBUSTÍVEIS	
SUPERIOR	30"/76,2 cm
PARTE DA FRENTE	24"/60,96 cm
LATERAIS	6"/15,24 cm
PARTE DE TRÁS	0"

Cuidado:

- Algumas superfícies de tapetes ou linóleo podem descolorir se o aquecedor estiver colocado diretamente sobre estes revestimentos de pavimento.
- Quando operar o aquecedor em altitudes acima de 7.000 FT (2,13 km) acima do nível do mar, o aquecedor pode desligar. (Por favor, leia as INFORMAÇÕES GERAIS).

AVISO:

- Este aparelho só deve ser usado com combustíveis de propano de pressão de vapor 100% (G31) e mistura de propano butano 70/30 (G30 + G31) e pode ser perigoso tentar usar outros tipos de cartuchos de gás.

INSTRUÇÕES GERAIS DE SEGURANÇA

ESTE É UM APARELHO DE AQUECIMENTO. NÃO UTILIZAR ESTE APARELHO SEM O FIO PROTECTOR FRONTAL INSTALADO. NÃO TENDE AQUECER OU COZINHAR ALIMENTOS NESTE AQUECEDOR.

- Não use acessórios não autorizados neste aquecedor. Não modifique o aparelho.
- Devido às altas temperaturas, o aparelho deve estar localizado fora do tráfego e longe de materiais combustíveis. (Ver ESPECIFICAÇÕES)
- CUIDADO: as partes acessíveis podem ficar muito quentes. Mantenha as crianças longe do aparelho e adultos devem ser alertados para o perigo das temperaturas de superfície elevadas e devem ficar longe para evitar queimaduras ou ignição nas roupas.
- As crianças devem ser cuidadosamente supervisionadas quando estão perto do aparelho.
- Não coloque roupas ou outros materiais inflamáveis sobre ou perto do aparelho.
- Não opere o aquecedor em qualquer veículo em movimento, tais como veículos de lazer, como caravanas e autocaravanas. Não utilizar em altos apartamentos, porões, banheiros ou quartos.
- Este aquecedor pode também ser usado em um recinto recreativo ou comercial com uma janela ou tecto de ventilação. Pode também ser utilizado ao ar livre.
- Este aquecedor exige um local bem ventilado de 9 polegadas quadradas (22,86 cm²) (Exemplo 3" /7,62 cm x 3" /7,62 cm de abertura) mínimas para ventilação adequada durante a operação no qual está de acordo com os requisitos nacionais para o fornecimento de ar de combustão. Não utilize outros queimadores de combustível internamente.
- PRESSÃO DO GÁS NO AQUECEDOR ESTÁ REGULADO E FIXADO EM 11" WC (27,4 milibar) EM QUALQUER CASO NÃO REGULE OU REDUZA A PRESSÃO DE FORNECIMENTO DO CARTUCHO DE PROPANO (G31) OU MISTURA DE GÁS BUTANO/PROPANO (G30 + G31) PARA O AQUECEDOR!
- REGULADOR NO AQUECEDOR DEVE ESTAR SEMPRE INSTALADO DURANTE A OPERAÇÃO.
- Se o suporte do fio é removido para manutenção, deverá ser substituído antes de operar o aquecedor.
- O aparelho deve ser inspeccionado antes de cada utilização. A limpeza frequente pode não ser necessária. Os compartimentos de controlo, queimador e circulação de passagens de ar do aparelho devem ser mantidos limpos, ver MANUTENÇÃO.
- NÃO utilize este aquecedor se alguma peça foi submerso

de água. Chame imediatamente um técnico qualificado para inspecionar o aquecedor e substituir qualquer peça do sistema de controlo e qualquer controlo de gás, que foi submerso à água.

- Quando usado sem combustão adequada e ar de ventilação, este aquecedor pode libertar monóxido de carbono excessivo, um gás venenoso inodoro.
- Algumas pessoas - mulheres grávidas, pessoas com doenças cardíacas ou pulmonares, anemia, aquelas sob a influência de álcool, aquelas em altas altitudes - são mais afetadas por monóxido de carbono do que outros.
- Quando aquecedor é colocado no chão, certifique-se de que está no nível do solo e mantenha todos os objectos, pelo menos, 24 polegadas (60,96 cm) a partir da parte dianteira do aquecedor. **NÃO DESLOQUE O APARELHO QUANDO EM FUNCIONAMENTO, COLISÕES E PANCADAS PODEM ATIVAR O BICO DE SEGURANÇA SOBRE O DISPOSITIVO. NÃO DEIXE O AQUECEDOR SOZINHO OU ONDE AS CRIANÇAS PODEM ALCANÇAR O AQUECEDOR E TOMBÁ-LO. NUNCA DEIXE A FUNCIONAR O AQUECEDOR ENQUANTO DORME!**

AVISO DE ODOR NÃO DETECTADO

AVISO

Perigo de Asfixia

- Não utilize em áreas sem ventilação.
- O fluxo de ar de combustão e ventilação não devem ser obstruídos.
- O ar adequado de ventilação deve ser fornecido para suportar os requisitos de ar de combustão do aquecedor que está a usar.
- Consulte a seção de especificações deste manual do aquecedor, placa de dados do aquecedor ou contacte a fábrica para determinar os requisitos de ventilação de ar de combustão do aquecedor.
- Falta de ar ventilação adequado levará a combustão inadequada.
- Combustão inadequada pode levar a intoxicação por monóxido de carbono que conduz a lesões graves ou morte. Os sintomas de envenenamento por monóxido de carbono podem incluir dores de cabeça, tonturas e dificuldade em respirar.

ODOR DE GAS COMBUSTÍVEL

Gás propano (G31) e mistura de gases butano/propano (G30 + G31) têm odorantes provocadas pelo homem adicionados especificamente para a detecção de vazamentos de gás combustível. Se ocorrer um vazamento de gás, você deve ser capaz de sentir o cheiro do gás combustível. Já que o propano (G31) é mais pesado do que o ar você deve sentir o odor de gás para baixo na direção do chão. QUALQUER ODOR DE GÁS É O SEU ALERTA PARA ENTRAR EM AÇÃO IMEDIATA!

- Não tome qualquer ação que pode inflamar o gás combustível. Não opere interruptores eléctricos. Não puxe qualquer fonte de alimentação ou cabos de extensão. Não acenda fósforos ou qualquer outra fonte de chama. Não use o seu telefone.
- Obtenha todos fora do edifício e longe da área imediatamente.
- Feche todas as válvulas de fornecimento de combustível ao cartucho ou tanque de gás propano (G31) ou a válvula de alimentação de combustível principal localizado no medidor se

você utiliza o gás natural.

- O gás propano (G31) é mais pesado que o ar e pode se assentar em áreas baixas. Quando você tiver certeza de suspeitar de um vazamento de gás propano, mantenha-se fora de todas as áreas baixas.
- Use o telefone de seu vizinho e chame seu fornecedor de gás combustível e o corpo de bombeiros. Não volte a entrar no edifício ou área.
- Fique fora do edifício e longe da área até declarada segura pelos bombeiros e seu fornecedor de gás combustível.
- FINALMENTE, deixe o pessoal de serviço de gás combustível e os bombeiros checarem pelo vazamento de gás. Peça-lhes o ar para fora do edifício e da área antes de retornar. Pessoal de serviço devidamente treinado deve reparar quaisquer vazamentos, verificar se há mais vazamentos, e depois reacender o aparelho para você.

DESVANECIMENTO DE ODOR - ODOR NÃO DETECTADO

- Algumas pessoas não podem sentir cheiro muito bem. Algumas pessoas não conseguem sentir o cheiro do produto químico fabricado pelo homem adicionado ao propano (G31). Você deve determinar se consegue sentir o odorante nestes gases combustíveis.
- Aprenda a reconhecer o odor do gás propano (G31). Comerciantes local de gás propano (G31) ficarão mais do que felizes em dar-lhe um panfleto do tipo raspe e cheire. Use-o para familiarizar-se com o odor de gás combustível.
- O tabagismo pode diminuir a sua capacidade de cheiro. Sendo em torno de um odor durante um período de tempo pode afetar a sua sensibilidade para aquele o odor particular. Odores presentes em áreas de confinamento de animais podem mascarar o odor de gás combustível.
- **O odorante em gás propano (G31) é incolor e a intensidade do seu odor pode desaparecer em algumas circunstâncias.**
- Se houver uma fuga no subsolo, o movimento do gás através do solo pode filtrar o odorante.
- O odor do gás propano (G31) pode variar em intensidade, em diferentes níveis. Desde que o gás propano (G31) é mais pesado do que o ar, pode haver mais odor em níveis mais baixos.
- **Seja sempre sensível ao menor odor de gás.** Se você continuar a detectar qualquer odor de gás, não importa quão pequeno, considere-o como um vazamento grave. Imediatamente entre em ação, como discutido anteriormente.

ATENÇÃO - PONTOS CRÍTICOS PARA RECORDAR!

- Gás propano (G31) ou mistura de butano/propano (G30 + G31) tem um odor característico. Aprenda a reconhecer esses odores. (Referência nas secções acima Odor de Gás Combustível e Desvanecimento de Odor.
- Mesmo se você não estiver devidamente treinado no serviço e reparação do aquecedor, SEMPRE esteja consciente dos odores de gás propano (G31) e do gás natural.
- Se você não foi devidamente treinado em reparação e serviço de gás propano (G31) ou mistura butano/propano (G30 + G31), então não tente acender o aquecedor, realizar manutenção ou reparos, ou fazer quaisquer ajustes para o aquecedor no sistema de gás combustível propano (G31) ou mistura butano/propano (G30 + G31).
- Um teste periódico de cheiro em torno do aquecedor ou nas juntas do aquecedor; ou seja, mangueira, conexões, etc., é uma boa prática de segurança sob quaisquer condições. Se você sentir o cheiro até mesmo uma pequena quantidade de gás, CONSULTE O SEU FORNECEDOR DE COMBUSTÍVEL DE GÁS IMEDIATAMENTE. NÃO ESPERE!

INFORMAÇÕES GERAIS:

- Este aquecedor é seguro para uso interno em pequenos recintos recreativos, tendo meios para fornecer ar de combustão e ventilação, tais como barracas, cabanas, barracas de pesca e varandas fechadas. Ele pode ser usado para o aquecimento interior de emergência quando ligado a um cartucho descartável de propano (G31) de 1 libra (465g) OU mistura (G30 + G31) de butano/propano de 450g e para uso interno em recintos comerciais, tendo meios para fornecimento de ar de combustão e ventilação, como trailers de construção ou recintos de trabalho temporário.

Nota: O aquecedor pode ser usado ao ar livre, mas pode experimentar os incômodos de desligamento devido a certas condições de vento.

- Quando o aquecedor está frio ou à temperatura ambiente, vai demorar alguns minutos para que o ladrilho do queimador fique laranja brilhante. Isso é normal e o aquecedor está a funcionar corretamente. Se a parte superior do queimador está visivelmente em chamas, desligue o aquecedor e chame um técnico qualificado.
- Quando a unidade estiver acesa, deve haver cerca de um quarto de polegada (1/4" - 0,635 cm) da borda ao redor da parte superior que não ficar laranja brilhante. Isto é normal.
- Ao operar o aquecedor, pela primeira vez, a área de topo do reflector pode descolorir. Isso também é normal e não é motivo para preocupação.
- Quando operar o aquecedor em altitudes acima de 7.000 FT (2,13 km), acima do nível do mar, a unidade pode não queimar tão brilhante como em altitudes mais baixas. Isto é normal. Em altitudes mais elevadas, o aquecedor pode desligar. Se isso acontecer, respire ar fresco, aguarde 5 minutos e reacenda. Devido às condições atmosféricas locais o aquecedor pode não reacender.
- Tempo de funcionamento irá variar dependendo da configuração do aquecedor e o tamanho do cartucho de alimentação. Até 3 a 6 horas em um cartucho de 1 libra de propano (G31) ou de 3 a 6 horas em um cartucho com mistura butano/propano (G30 + G31) 450G 70/30. Até 48 a 110 horas em um cartucho de 20 libras (5 kg) (com configurações com base em "HI" e "LO"). Devido às propriedades de gás propano (G31), tempos de execução podem ser significativamente reduzidos quando se opera continuamente a temperaturas inferiores a 20 F (-7 Celsius).
- Este aquecedor está equipado com um interruptor de segurança contra tombo. Incômodo por desligamentos pode ser experimentado se a unidade for colidida ou movida. Se isso ocorrer, simplesmente reacenda o aquecedor.
- Devido à operação natural de pequenos tanques, condensação pode acumular-se no tanque e pingar na superfície sob o aquecedor. Às vezes, esta condensação pode congelar devido ao frio extremo causado quando o propano (G31) vaporizar. Isso é normal e não há razão para alarme.

INSTRUÇÕES DE OPERAÇÃO / ACENDIMENTO PARA O USO COM CARTUCHOS DESCARTÁVEIS DE 1 LB. Propano (G31) OU MISTURA DE 450G 70/30 BUTANE/PROPANE (G30 + G31):

AVISO: Verifique sempre as conexões do adaptador do

aquecedor de propano/butano e do cartucho de propano por danos, sujeira e detritos antes de anexar o cartucho de propano. Não use se a cabeça do cartucho estiver danificada, perfurada ou deteriorada.

SEMPRE FIXE OU DESFIXE O CARTUCHO AO AR LIVRE LONGE DE CHAMAS, OUTRAS FONTES DE IGNIÇÃO E SOMENTE QUANDO AQUECEDOR ESTIVER FRIO AO TOQUE. NUNCA FUME AO COLOCAR OU REMOVER O CARTUCHO DE PROPANO OU FAZER CONEXÕES REMOTAS!

- Utilize cartuchos descartáveis (G31) de 16,4 onças (1 libra/465g) que correspondam com conexão de válvula nº 600 ou mistura (70/30) (G30+G31) de butano/propano com rosca tipo 7/16-28 FEEN-2B.

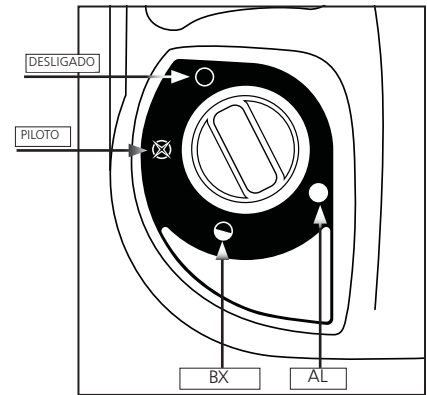


Figura 1: Botão de Controle

- Verifique se as vedações (entre o aparelho e o cartucho de gás) se estão no lugar e em boas condições antes de conectar para o cartucho de gás. Figura 4. Não use um aparelho em que foram danificadas ou desgastadas as vedações. Não use um aparelho que esteja vazando, danificado ou que não funcione adequadamente.

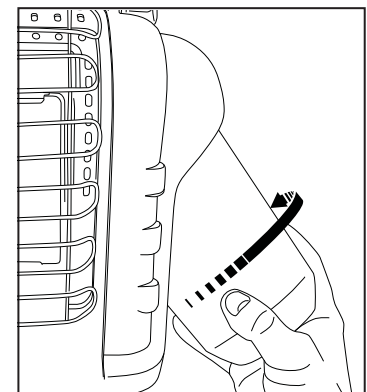


Figura 2: Atarraxe o tanque de combustível

- Certifique-se das quatro posições do Botão de Controle se está na posição "OFF" (desligado) (ver a Figura 1).
- Para usar com propano: Gire o regulador para fora para facilitar a instalação do tanque. Parafuse o cartucho descartável com fornecimento de 1 libra de (465g) gás propano (G31) no sentido horário (a partir de baixo) no aquecedor portátil até prender bem; ver a Figura 2. NÃO use selante de rosca sobre esta conexão.

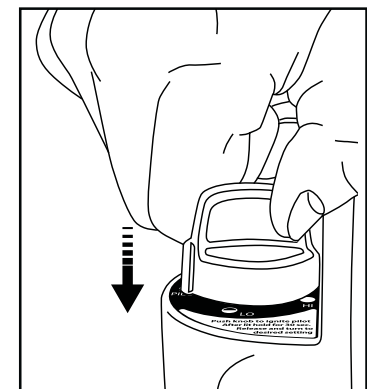


Figura 3: Ignição

- Para usar com a mistura de butano/propano: Parafuse o adaptador de latão no sentido horário no regulador do aquecedor portátil (partir da parte de baixo) até ficar bem apertado. Ver a figura 4. Não use vedação de rosca nesta conexão. Parafuse o cartucho com a mistura de propano no adaptador (sentido horário), uma vez que o eixo sobre o adaptador começa a girar o cartucho está conectado, em seguida, encaixe o cartucho no suporte.
- Verifique as conexões do adaptador e do cartucho para vazamentos com água e sabão na conexão rosca sob a tampa de plástico

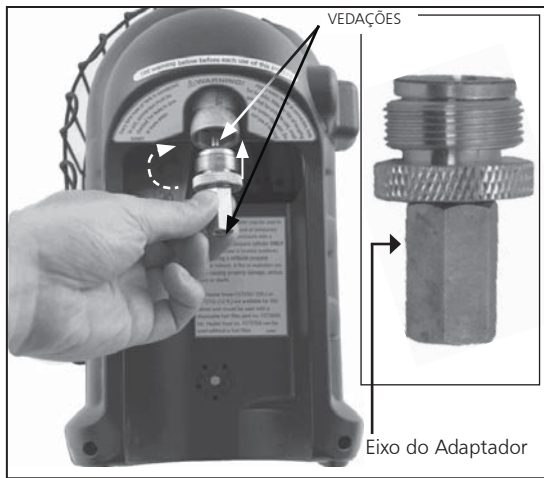


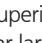




Figura 4: "Adaptador Butano"

cupuliforme onde estão os parafusos do cartucho para o regulador. VER AVISO! SOBRE A TAMPA DE PLÁSTICO CUPULIFORME.

- Gire o Botão de Controlo para a esquerda para a posição "PILOT"  e pressione para acender; ver a Figura 1 e Figura 3.
- Se o aquecedor não acender, mantenha pressionado por aproximadamente 30 segundos; solte e pressione novamente. Repita até que o piloto acenda.
- Depois de acender o piloto, mantenha pressionado por 30-60 segundos e solte o botão. O botão deve retornar à posição totalmente estendida; Para operar o aquecedor ligeiramente pressione o botão e gire suavemente para travar na posição "HI"  para acender a parte superior do queimador. Deixar na posição "HI"  até a parte superior do queimador ficar laranja brilhante. Figura 5.

NOTA: Labaredas são comuns quando acende pela primeira vez o aparelho. Mantenha o seu rosto e objectos inflamáveis longe do aparelho.

- Depois que a parte de cima do queimador se transformou em um laranja brilhante, ajuste a saída de calor ao girar o Botão de Controlo para a posição dese- (ajuste de "LO"  ou "HI"  Figura 1.

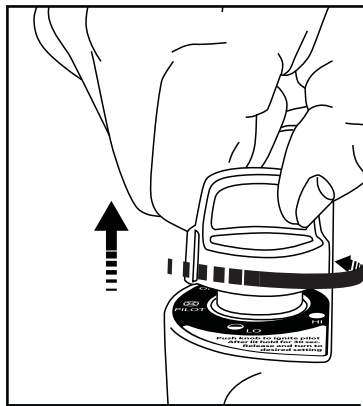


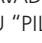




Figura 5: "Solte o botão".

jada

Aviso:

NÃO UTILIZE O AQUECEDOR A MENOS QUE O BOTÃO DE CONTROLO ESTEJA TRAVADO EM UMA POSIÇÃO MARCADA EM "HI" , "LO"  OU "PILOT" . NUNCA AJUSTE O BOTÃO DE CONTROLO ENTRE POSIÇÕES TRAVADAS. PODE RESULTAR EM COMBUSTÃO POBRES E MAIORES NÍVEIS DO MONÓXIDO DE CARBONO.

- Para desligar aquecedor, empurre ligeiramente para baixo e gire o botão de controlo no sentido horário para a posição "OFF" .
- CUIDADO: As partes acessíveis podem ficar muito quentes. O protector sobre este aparelho é para evitar risco de incêndio ou ferimentos causados por queimaduras e nenhuma peça dele deve ser permanentemente removido. ELE NÃO DÁ UMA PROTECÇÃO TOTAL PARA AS CRIANÇAS OU OS ENFERMOS. Deixe esfriar completamente antes de guardar.
- Gire o regulados para a posição desligada (OFF) . Verifique se os queimadores têm extinguido antes de desligar o cartucho de gás
- PARA REMOVER O CARTUCHO DE PROPANO (G31): Remova o

cartucho do suporte e gire o cartucho no sentido anti-horário até que esteja totalmente desatarraxado do aquecedor.

- PARA REMOVER O CARTUCHO COM MISTURA DE BUTANO/PROPANO (G30 + G31): Remova o cartucho do suporte e gire o cartucho no sentido anti-horário até que esteja totalmente desatarraxado do adaptador.
- Uma vez que o cartucho foi removido, em seguida, o adaptador de butano pode ser retirado ao girar no sentido anti-horário até que esteja totalmente desatarraxado fora do aquecedor.
- Não opere, armazene ou remova o cartucho perto de produtos inflamáveis ou fontes de ignição. Apenas troque os cartuchos em um local bem ventilado, de preferência na parte externa ao ar livre, longe de quaisquer fontes de ignição, tais como chamas vivas, pilotos, incêndios eléctricos e longe de outras pessoas.
- Os cartuchos de gás de propano (G31) ou mistura de butano/propano (G30 + G31) DEVEM SER DESCONECTADOS DO AQUECEDOR QUANDO NÃO EM USO! Certifique-se de verificar as vedações antes de conectar um novo cartucho de gás ao aparelho.

MANUTENÇÃO:

PRECAUÇÕES A TOMAR QUANDO O APARELHO NÃO ESTÁ A SER USADO POR UM PERÍODO DE TEMPO:

Mantenha sempre a área do aquecedor limpo e livre de materiais combustíveis, gasolina e outros vapores e líquidos inflamáveis.

Guarde o aquecedor quando já estiver frio em um saco com zíper ou em outro local fechado livre de poeira entre as utilizações.

Mantenha as áreas de ventilação (ranhuras na parte inferior e superior da parte frontal do aquecedor) limpas em todos os momentos.

Inspeccione visualmente a chama piloto e o queimador periodicamente durante a utilização. A chama piloto deve ser de cor azul (não amarela) e se estenderá até o termopar.

A chama irá cercar o termopar logo abaixo da ponta, ver a Figura 6.

Uma ligeira chama amarela pode ocorrer quando a chama piloto e a chama principal do queimador se encontrarem.

O queimador deve ficar laranja brilhante

(com uma leve cor azul ao redor da borda, uma névoa vermelho-laranja que é visível sobre a parte superior cerâmica é aceitável) e sem uma chama perceptível. Uma chama azul se ficar para fora na parte superior cerâmica indica um acúmulo de poeira, fiapos ou teias de aranha dentro do conjunto do recipiente e do conjunto do queimador principal. Se a chama piloto estiver amarela ou o queimador tem uma chama perceptível, um limpeza pode ser necessária. Use o seguinte procedimento para inspeccionar o conjunto da caixa e conjunto do queimador principal.

É necessário verificar periodicamente o orifício do queimador e o tubo do queimador Venturi para se certificar de que eles estão livres ninhos de insetos e teias de aranha que podem se acumular ao longo do tempo. Um tubo obstruído pode conduzir a um incêndio.

- 1 Permita que o aquecedor esfrie completamente antes de realizar qualquer manutenção.
- 2 Retire o cartucho do aquecedor ou gira para OFF o fornecimento de gás na válvula do cartucho remoto e desconecte o tubo do aquecedor.
- 3 Remova (4) os quatro parafusos que prendem a tampa traseira

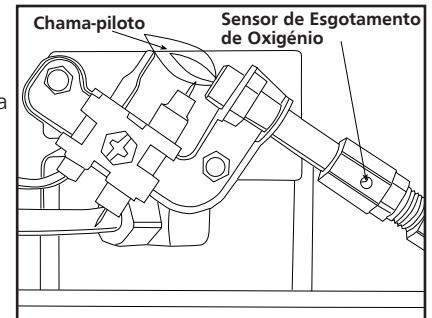


Figura 6

para o aquecedor.

- 4 Coloque no eixo da tampa para fora da parte inferior. Solte a partir de 2 cliques de topo. Deixou de lado.
- 5 Retire os (4) quatro parafusos de fixação dos queimadores e linha de combustível do conjunto do queimador. Remova o conjunto do queimador da parte traseira da caixa.
- 6 Inspeccione o interior da caixa para o acúmulo de poeira, fiapos ou teias de aranha. Se necessário, limpe o interior do conjunto da caixa com um aspirador de pó ou aplique pressão de ar. Não danifique os componentes dentro do conjunto da caixa quando você estiver a limpar.
- 7 Inspeccione e limpe o orifício principal do queimador (roscado no suporte do orifício). Suporte do orifício está anexado ao tubo de Venturi do conjunto de queimador com (2) dois parafusos.
- 8 Inspeccione e limpe o piloto (montado no suporte) por meio de um vácuo ou fornecimento de pressão de ar através dos orifícios no piloto indicado pelas setas na Figura 6.
AVISO: Nunca use agulhas, fios ou objectos cilíndricos similares para limpar o piloto para evitar danificar o orifício calibrado que controla o fluxo de gás.
- 9 Aplique ar comprimido (máx. 30 psi) para a parte superior cerâmica de conjunto do queimador e do tubo Venturi (ref. item 16) para retirar poeira, fiapos e teias de aranha.
- 10 Remonte o suporte do orifício do queimador principal para o conjunto do queimador.
- 11 Reinstale o conjunto do queimador para dentro da caixa do aquecedor
- 12 Reinstale a linha de combustível e verifique se há vazamentos.
- 13 Instale a tampa traseira do aquecedor.

INFORMAÇÃO SOBRE SOLUÇÃO DE PROBLEMAS:

Se o eletrodo de ignição não produzir faísca.

VERIFICAR

- Faiscamento do eletrodo quebrado – substituir ODS (Sensor de Esgotamento de Oxigénio).
- Fio do acendedor não pode ser anexado para faiscar o eletrodo, fio terra não pode ser ligado ao frame - anexar.
- Fio de ignição danificado – substituir.
- Piezo de ignição com defeito - substituir o conjunto da válvula de gás.

Se o eletrodo de ignição produz centelha, mas o piloto não se acende.

VERIFICAR

- Sem gás para o aquecedor - instalar o cartucho descartável ou conectar a mangueira e ligar a válvula no cartucho remoto.
- A posição "PILOT" não alinhada corretamente - girar o botão de controlo de gás para a posição "PILOT" e pressionar.
- O piloto está bloqueado de teia de aranha ou sujeira - limpar o piloto, ver MANUTENÇÃO.

Se a chama piloto não permanecer acesa quando o botão é liberado.

VERIFICAR

- O botão de controlo na posição "PILOT" não está completamente pressionado ou segurado em tempo suficiente para purgar o ar das linhas.
- A chama piloto não circula em torno do termopar - limpar o piloto, ver MANUTENÇÃO.
- O conjunto do piloto com defeito - substituir.
- A ponta do fios do interruptor desligada - ligar a ponta.

Se queimador principal não acende.

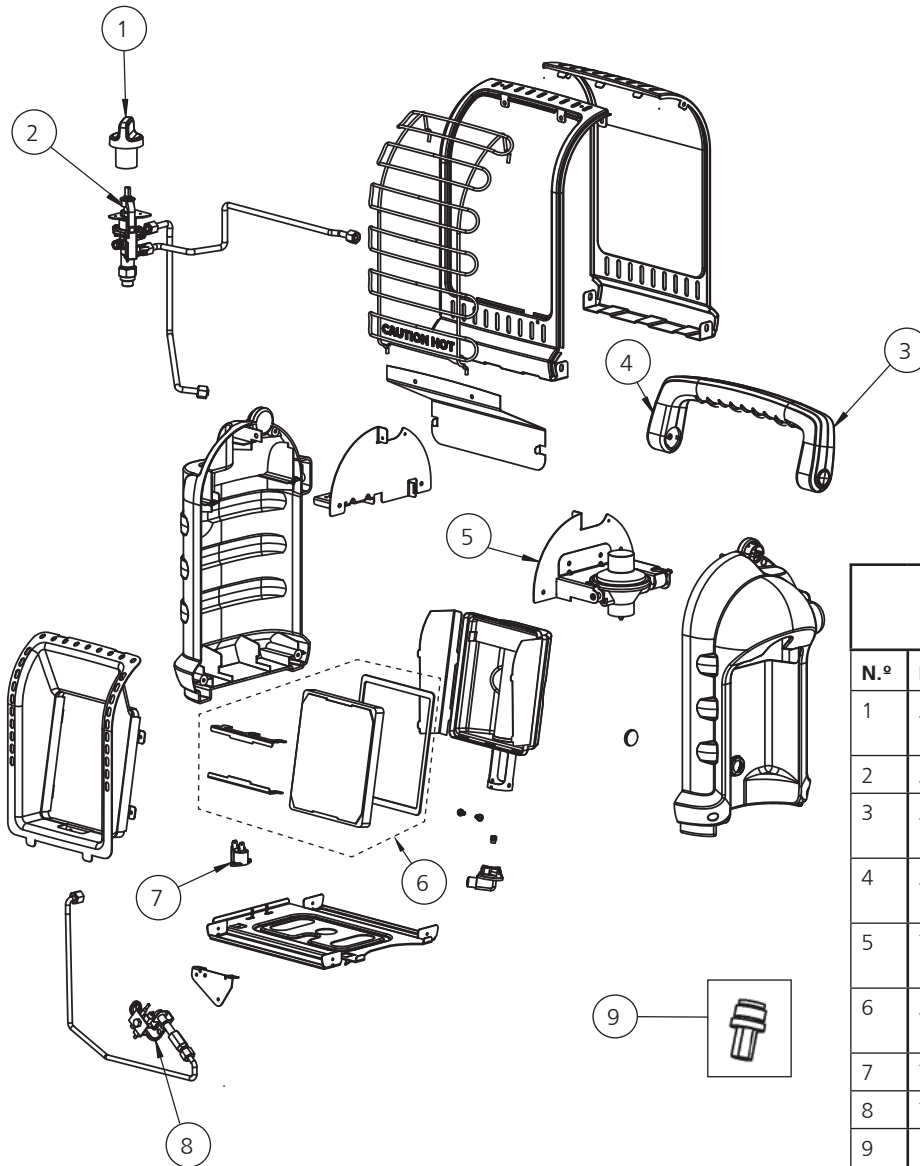
VERIFICAR

- O orifício do queimador principal está bloqueado - limpar o queimador, ver MANUTENÇÃO.

Se aquecedor continua a desligar "OFF" durante a operação normal.

VERIFICAR

- Piloto está bloqueado – limpar o piloto, ver MANUTENÇÃO.
- Fornecer abertura mínima de ar fresco de 9 polegadas quadradas (15,24 cm²), (exemplo 3" (7.62 cm) x 3" (7.62 cm) abertura).
- Interruptor contra tombo ativado a partir de esbarramento do aquecedor. Religar
- Regulador com defeito - Substituir o regulador.
- Contaminação interna - Substituir a válvula de controlo e o regulador.
- Ligue para os Serviços de Assistência Técnica para obter mais informações.



LISTA DE PEÇAS DE REPOSIÇÃO:

N.º	Peça	Descrição
1	32017	Botão, Válvula, Segurança, Vermelho
2	32054	Válvula, Montagem, Controlo
3	32015	Manusear, Atrás, Plástico, Cinza
4	32014	Manusear, Frontal, Plástico, Cinza
5	75198	Montagem, Regulador, c/ Suporte
6	33088	Parte Superior, Kit de Substituição, H9BXDF
7	73403	Interruptor, Tombamento
8	73396	ODS, Piloto, Montagem
9	15164	Adaptador Butano

ACESSÓRIOS APROVADOS POR MR. HEATER (vendido separadamente)	
ITEM Nº	DESCRIÇÃO
32008	5 ft. (1.52m) CONJUNTO DE MANGUEIRA DE PROPANO (girar 1" - 20 macho descartável Cyl. Thd. X P.O.L. C/manivela) (Uso recomendado com filtro de combustível.)
F273699	Filtro de Combustível (Substituir Anualmente)



INSTRUÇÕES DE OPERAÇÃO E MANUAL DO PROPRIETÁRIO

Modelo Nº

MH8BXDF



AVISO:

UTILIZE SOMENTE PEÇAS SOBRESSALENTES DO FABRICANTE. A UTILIZAÇÃO DE QUAISQUER OUTRAS PEÇAS PODERÁ CAUSAR FERIMENTOS OU MORTE. PEÇAS DE REPOSIÇÃO ESTÃO APENAS DISPONÍVEL DIRETO DA FÁBRICA E DEVEM SER INSTALADAS POR UMA AGÊNCIA DE ASSISTÊNCIA TÉCNICA QUALIFICADA.

A MANGUEIRA DE MR. HEARTER 32008 SÃO PROJETADAS ESPECIFICAMENTE PARA USO COM ESTE AQUECEDOR JUNTO COM O FILTRO DE COMBUSTÍVEL DESCARTÁVEL F273699 (SUBSTITUIR ANUALMENTE). O USO DE OUTRAS MAGUEIRAS PODE CAUSAR AO AQUECEDOR SE TORNAR INOPERANTE.

INFORMAÇÃO DE ENCOMENDA DE PEÇAS:

COMPRAR: Os acessórios podem ser comprados em www.mrheater.com e comerciantes locais.

PARA INFORMAÇÕES SOBRE VISITA DE ASSISTÊNCIA TÉCNICA:
www.mrheater.com

Nosso horário de funcionamento é das 8h00 às 17h00 EST, Segunda à Sexta-feira.

Você pode conversar com o representante técnico através do sítio: www.mrheater.com

Por favor, inclua o número do modelo, data da compra e descrição do problema em toda a comunicação.

GARANTIA LIMITADA

Mr. Heater, Inc. garante que seus aquecedores e acessórios estão livres de defeitos no material e mão de obra por um período de 1 ano a partir da data da compra.

Mr. Heater, Inc. irá reparar ou substituir o produto gratuitamente se for provado que está com defeito dentro do período de 1 ano, e será retornado ao varejista com a comprovação de compra dentro do período de garantia.

Mr. Heater, Inc. reserva-se o direito de fazer alterações a qualquer momento, sem aviso ou obrigação, em cores, especificações, acessórios, materiais e modelos.

Venda nos seguintes países:



REGISTO DE PRODUTOS: Obrigado por sua compra.

Por favor, faça o login em <http://www.egiregistration.com> para registrar seu produto.

MR. HEATER, INC., 4560 W. 160TH ST., CLEVELAND, OHIO 44135 USA • 800-251-0001

Mr. Heater e Portable Buddy são marcas registradas da Enerco Group, Inc.

© 2015, Enerco/Mr. Heater. Todos os direitos reservados.



РУКОВОДСТВО ПО ЭКСПЛУАТАЦИИ И ОБСЛУЖИВАНИЮ



ПЕРЕНОСНОЙ ОБОГРЕВАТЕЛЬ BUDDY RADIANT

№ модели

MH8BXDF

ВАЖНАЯ ИНФОРМАЦИЯ: Внимательно прочтите данное руководство по эксплуатации и ознакомьтесь с устройством прибора до подключения его к газовому баллону. Сохраните данное руководство для дальнейшего использования.



**ИСПОЛЬЗУЙТЕ
ТОЛЬКО БАЛЛОНЫ
С ВИНТОВЫМ
ВЕНТИЛЕМ**



Баллон газовый с пропаном (G31) емкостью 450
(в комплект не входит)

ПЕРЕНОСНОЙ ГАЗОВЫЙ ОБОГРЕВАТЕЛЬ
НА ПРОПАНЕ (G31) ИЛИ БУТАН-ПРОПАНОВОЙ
СМЕСИ (G30 + G31) ДЛЯ ИСПОЛЬЗОВАНИЯ
В РЕКРЕАЦИОННЫХ И КОММЕРЧЕСКИХ
ЦЕЛЯХ, А ТАКЖЕ В ПОМЕЩЕНИИ В СЛУЧАЕ
ВОЗНИКНОВЕНИЯ ЧРЕЗВЫЧАЙНОЙ СИТУАЦИИ

РУКОВОДСТВО ПРИЛАГАЕТСЯ НА СЛЕДУЮЩИХ ЯЗЫКАХ:

АНГЛИЙСКИЙ, НЕМЕЦКИЙ, ФРАНЦУЗСКИЙ, ИТАЛЬЯНСКИЙ, ИСПАНСКИЙ,
ГОЛЛАНДСКИЙ, ПОРТУГАЛЬСКИЙ, РУССКИЙ, ПОЛЬСКИЙ, ФИНСКИЙ,
ШВЕДСКИЙ, НОРВЕЖСКИЙ, ДАТСКИЙ.



Баллон газовый с бутан-пропановой смесью
(G30+G31) емкостью 450 г (в комплект не входит)

ВНИМАНИЕ: Несоблюдение предписаний, содержащихся в данном руководстве, может привести к пожару или взрыву и повлечь за собой материальный ущерб, травмы и гибель людей.

- Запрещается хранение и использование бензина и других легко воспламеняющихся газообразных и жидких веществ вблизи этого и подобных приборов.
- Запрещается хранение неиспользуемых баллонов с пропаном (G31) и бутан-пропановой смесью (G30+G31) вблизи этого и подобных ему приборов.
- ЧТО ДЕЛАТЬ, ЕСЛИ ВЫ ПОЧУСТВОВАЛИ ЗАПАХ ГАЗА
 - Не пытайтесь привести прибор в действие.
 - Погасите все источники открытого огня.
 - Прекратите доступ газа к прибору.
- Обслуживание прибора должно производиться квалифицированным техническим персоналом.

Обогреватель имеет изолированную камеру сгорания газа и использует кислород из окружающего воздуха. При работе прибора необходимо обеспечить объем воздуха, достаточный для горения и вентиляции. См. страницу 3.

ВНИМАНИЕ:

⚠ Подключая газовый баллон к устройству, необходимо каждый раз проверять соединение на предмет утечки. Существует несколько способов. Нанесите мыльный раствор на место соединения. Проверьте, нет ли пузырьков, шипения, издаваемого выходящим газом, резкого охлаждения или запаха тухлых яиц. При обнаружении утечки или запаха газа перенесите прибор в хорошо вентилируемое пространство вдали от открытого огня, где утечку легче обнаружить и прекратить. Проверку прибора на предмет утечки необходимо проводить на открытом воздухе. Не пытайтесь обнаружить утечку газа с помощью открытого огня. Используйте мыльный раствор. Любое вмешательство в устройство обогревателя или ручек настройки может иметь опасные последствия. ЗАПРЕЩАЕТСЯ вносить изменения в устройство прибора.

ВНИМАНИЕ:

⚠ Первые признаки отравления угарным газом напоминают симптомы гриппа: головная боль, головокружение и/или тошнота. Появление этих симптомов свидетельствует о возможных неполадках в работе обогревателя. Немедленно обеспечьте приток свежего воздуха! Пригласите технический персонал для осмотра обогревателя.

ВНИМАНИЕ:

⚠ В случае ЕСЛИ в помещении отсутствуют окна или выведенные на крышу вентиляционные каналы, НЕ ПОЛЬЗУЙТЕСЬ ОБОГРЕВАТЕЛЕМ. Прибор предназначен для использования в хорошо вентилируемом пространстве.

СОДЕРЖАНИЕ

Общие правила техники безопасности	2
Предупреждение об опасности улетучивания запаха газа	3
Общая информация	4
Эксплуатация с использованием одноразовых баллонов с пропаном	4
Эксплуатация со шланговым подключением к удаленной газовой емкости	5
Уход за прибором	6
Поиск и устранение неисправностей	7
Перечень деталей	8
Информация по заказу запасных частей	9
Информация по обслуживанию	9

ТЕХНИЧЕСКИЕ ХАРАКТЕРИСТИКИ ПРИБОРА

№ МОДЕЛИ.....	MH8BXDF
ТИП ГАЗА...пропан (G31), напр., производства компании Coleman или бутан-пропановая смесь промышленных газов 70/30 (G30+G31) производства компании Primus.	
ВХОДНАЯ МОЩНОСТЬ, БТЕ/Ч. ...	4000 (1,17 КВТ)/ 8000 (2,4 КВТ)
БЕЗОПАСНОЕ РАССТОЯНИЕ ДО ГОРЮЧИХ МАТЕРИАЛОВ	
ВЕРХНЯЯ ЧАСТЬ	76,2 см
ПЕРЕДНЯЯ ЧАСТЬ	61 см
БОКОВЫЕ ЧАСТИ	15,24 см
ЗАДНЯЯ ЧАСТЬ	0 см

Внимание:

- Ковровое покрытие и линолеум могут обесцветиться при непосредственном контакте с обогревателем.
- При использовании на высоте более 2,13 км над уровнем моря обогреватель может произвольно отключаться. (См. раздел ОБЩАЯ ИНФОРМАЦИЯ).

ВНИМАНИЕ:

- Данный прибор предназначен для работы на пропане высокого давления 100% (G31) или бутан-пропановой смеси 70/30 (G30+G31). Попытки использования газовых баллонов других типов могут привести к опасным последствиям.

ОБЩИЕ ПРАВИЛА ТЕХНИКИ БЕЗОПАСНОСТИ НЕ ПОЛЬЗУЙТЕСЬ НАГРЕВАТЕЛЬНЫМ ПРИБОРОМ, НА ПЕРЕДНЕЙ ЧАСТИ КОТОРОГО НЕ УСТАНОВЛЕНА ЗАЩИТНАЯ СЕТКА. ОБОГРЕВАТЕЛЬ НЕ ПРЕДНАЗНАЧЕН ДЛЯ ПОДОГРЕВА И ПРИГОТОВЛЕНИЯ ПИЩИ.

- Запрещается использовать нелицензионные комплектующие, а также вносить изменения в устройство прибора.
- Вследствие высоких температур нагревательной поверхности, прибор следует размещать вдали от движения автотранспорта и горючих материалов. (См. раздел ТЕХНИЧЕСКИЕ ХАРАКТЕРИСТИКИ ПРИБОРА)
- **ОСТОРОЖНО:** Открытые детали обогревателя могут оставаться горячими. Держите прибор на безопасном расстоянии от детей. Дети и взрослые должны быть информированы об опасности, связанной с высокой температурой нагревательной поверхности, и не приближаться к прибору во избежание ожогов или возгорания одежды.
- Во время работы обогревателя дети должны находиться под постоянным присмотром взрослых.
- Не размещайте одежду и другие легко воспламеняющиеся материалы на самом приборе или вблизи него.
- Не пользуйтесь обогревателем в движущихся транспортных средствах, например, в трейлерах или автомобильных прицепах, а также в квартирах многоэтажных домов, подвалах, ванных и туалетных комнатах и спальнях.
- Обогреватель можно использовать в промышленных помещениях и помещениях для отдыха при наличии в них окон или выведенных на крышу вентиляционных каналов. Прибор можно использовать и на открытом воздухе.
- Обогреватель предназначен для работы в хорошо вентилируемом пространстве минимальной площадью 22,86 см² (напр., открытое пространство 7,62 см x 7,62 см) в соответствии с государственными требованиями к объемам воздуха, поступающего в камеру сгорания. Запрещается использовать другие топливосжигающие приборы в помещении.
- **ДАВЛЕНИЕ ГАЗА В ОБОГРЕВАТЕЛЕ РЕГУЛИРУЕТСЯ И ПОДДЕРЖИВАЕТСЯ НА УРОВНЕ 27,4 МБАР. НЕ ПЫТАЙТЕСЬ РЕГУЛИРОВАТЬ ИЛИ СНИЖАТЬ ДАВЛЕНИЕ ПОСТУПАЮЩЕГО ИЗ БАЛЛОНА В ОБОГРЕВАТЕЛЬ ПРОПАНА (G31) ИЛИ БУТАН-ПРОПАНОВОЙ СМЕСИ (G30+G31)!**
- **ВО ВРЕМЯ РАБОТЫ ПРИБОРА НЕ РАЗРЕШАЕТСЯ ИЗМЕНЯТЬ ПОЛОЖЕНИЕ РЕГУЛЯТОРА ОБОГРЕВАТЕЛЯ.**
- Если защитная решетка была снята для ухода за прибором, ее необходимо установить на место до включения обогревателя.
- Перед использованием прибор необходимо тщательно осматривать. Периодически необходимо выполнять чистку прибора. Блок регуляторов, горелка и каналы циркуляции

воздуха должны содержаться в чистоте (см. раздел УХОД ЗА ПРИБОРОМ).

- ЗАПРЕЩАЕТСЯ пользоваться обогревателем в случае попадания воды в одну или несколько его частей. Необходимо срочно вызвать представителя технических служб для осмотра обогревателя и замены частей контрольной или газорегулирующей системы, оказавшихся в воде.
- Если окружающего воздуха недостаточно для горения и вентиляции, обогреватель может выделять избыточный объем ядовитого и лишенного запаха УГАРНОГО ГАЗА.
- Воздействие угарного газа представляет особую опасность для беременных женщин, людей, страдающих анемией, заболеваниями сердца и легких, а также для людей, находящихся под воздействием алкоголя или живущих в высокогорных районах.
- Если обогреватель стоит на земле, убедитесь, что поверхность земли ровная, а окружающие предметы находятся на расстоянии не менее 61 см от нагревательной поверхности прибора. НЕ ПЕРЕДВИГАЙТЕ ПРИБОР ВО ВРЕМЯ РАБОТЫ. ТОЛЧКИ И УДАРЫ МОГУТ ПРИВЕСТИ К ЕГО АВТОМАТИЧЕСКОМУ ОТКЛЮЧЕНИЮ. НЕ ОСТАВЛЯЙТЕ ОБОГРЕВАТЕЛЬ БЕЗ ПРИСМОТРА, ОСОБЕННО В ПРИСУТСТВИИ ДЕТЕЙ. ПРИ НЕОСТОРОЖНОМ ОБРАЩЕНИИ ПРИБОР МОЖЕТ УПАСТЬ ИЛИ ПЕРЕВЕРНУТЬСЯ. ПЕРЕД СНОМ НЕ ЗАБУДЬТЕ ВЫКЛЮЧИТЬ ОБОГРЕВАТЕЛЬ!

ПРЕДУПРЕЖДЕНИЕ ОБ ОПАСНОСТИ УЛЕТУЧИВАНИЯ ЗАПАХА ГАЗА

ВНИМАНИЕ

Опасность удушья

- Не используйте прибор в плохо вентилируемых помещениях.
- Обеспечьте беспрепятственный приток воздуха для безопасного сжигания топлива и вентиляции.
- В целях соблюдения правил подачи воздуха для сжигания топлива, предъявляемых к конкретной модели обогревателя, необходима надлежащая вентиляция.
- Чтобы ознакомиться с требованиями к объему воздуха, необходимого для безопасного сжигания топлива и вентиляции, изучите раздел «Технические характеристики прибора», таблицу основных параметров обогревателя, или свяжитесь с производителем.
- Недостаточный приток воздуха из системы вентиляции является нарушением правил безопасного сжигания топлива.
- Нарушение правил безопасного сжигания топлива может вызвать отравление угарным газом и, в результате, нанести серьезный вред здоровью или стать причиной гибели людей. Симптомами отравления угарным газом являются головные боли, головокружение и затрудненное дыхание.

ОДОРИЗАЦИЯ ТОПЛИВНОГО ГАЗА

В состав пропана (G31) и бутан-пропановой смеси (G30+G31) входят искусственные пахучие вещества, добавляемые специально для обнаружения утечки газового топлива. В случае утечки вы почувствуете характерный запах. Поскольку пропан (G31) тяжелее воздуха, запах будет лучше всего ощущаться на уровне пола. ЗАПАХ ГАЗА ДОЛЖЕН ПОСЛУЖИТЬ ДЛЯ ВАС СИГНАЛОМ К НЕМЕДЛЕННЫМ ДЕЙСТВИЯМ!

- Не предпринимайте действий, которые могут привести к возгоранию газового топлива. Не пользуйтесь электрическими выключателями. Не пытайтесь отключать блоки питания и удлинители. Не зажигайте спички или другие источники огня. Не пользуйтесь телефоном.
- Немедленно выведите людей из здания или опасной зоны.
- Закрыйте клапаны баллонов с пропаном (G31) и других топливных емкостей, а также главный клапан подачи топлива, расположенный на счетчике, в том случае, если вы используете природный газ.

- Пропан (G31) тяжелее воздуха, и потому может скапливаться в пониженных участках рельефа местности или подвальных помещениях здания. Если существует возможность утечки пропана, избегайте нахождения людей в этих участках.
- Воспользуйтесь телефоном соседей для вызова пожарных и представителя компании-поставщика газового топлива. Не входите в здание или опасную зону.
- Оставайтесь вне здания или за пределами опасной зоны, пока не получите разрешения вернуться от пожарных и представителя компании-поставщика газового топлива.
- ПОСЛЕДНЕЕ: пожарные и технический персонал должны исследовать места возможного скопления выделившегося газа. Попросите их проветрить здание и прилегающую территорию, прежде чем вы туда вернетесь. Представители технических служб должны ликвидировать утечку газа, устранить возможность дальнейшей утечки, а только потом привести ваш прибор в действие.

УЛЕТУЧИВАНИЕ ЗАПАХА – НЕСПОСОБНОСТЬ ПОЧУВСТВОВАТЬ ЗАПАХ

- Некоторые люди неспособны хорошо различать запахи, и потому не чувствуют запаха искусственных химических добавок к пропану (G31). Важно убедиться в своей способности чувствовать запах пахучих веществ, содержащихся в газовом топливе.
- Научитесь распознавать запах пропана (G31). Представители компаний, торгующих пропаном (G31), с удовольствием предоставят вам специальные брошюры с образцами запаха. Они помогут вам запомнить и впредь узнавать запах газового топлива.
- Курение ослабляет обоняние. Находясь рядом с источником того или иного запаха, вы теряете чувствительность к нему. Запахи, присутствующие в местах содержания животных, могут скрывать запах газового топлива.
- **Пахучие вещества, содержащиеся в пропане (G31), бесцветны, а их запах может утратить свою интенсивность в определенных обстоятельствах.**
- В случае подземной утечки и прохождения газа сквозь слои почвы химические добавки могут утратить запах.
- Интенсивность запаха пропана (G31) может различаться в зависимости от расстояния до земли или пола. Поскольку пропан (G31) тяжелее воздуха, запах может быть сильнее на более низких уровнях.
- **Старайтесь не пропустить даже самый слабый запах газа.** Если вы продолжаете ощущать запах газа, каким бы слабым он не казался, существует возможность серьезной утечки. Без промедления приступайте к совершению описанных выше действий.

ВНИМАНИЕ – ВАЖНО ЗАПОМНИТЬ!

- Пропан (G31) и бутан-пропановая смесь (G30+G31) имеют характерный запах. Научитесь его распознавать. (Еще раз прочтите разделы, посвященный запаху газового топлива и опасности его улетучивания).
- Даже если вы не прошли подготовку по обслуживанию и ремонту обогревателя, ВСЕГДА обращайтесь внимание на присутствующий в воздухе запах пропана (G31) и природного газа.
- Если вы не прошли специальную подготовку по ремонту и обслуживанию баллонов с пропаном (G31) и бутан-пропановой смесью (G30+G31), не пытайтесь самостоятельно зажигать обогреватель, выполнять его обслуживание или ремонт, или вносить изменения в устройство приборов, работающих на газовом топливе (пропане (G31) и бутан-пропановой смеси (G30+G31)).
- В целях безопасности в любых условиях рекомендуется периодически проверять отсутствие запаха возле обогревателя, а также в местах соединения (напр., шланги, переходники и т. д.) Почувствовав даже самый слабый запах газа, НЕМЕДЛЕННО СВЯЖИТЕСЬ С ПРЕДСТАВИТЕЛЕМ КОМПАНИИ-ПОСТАВЩИКА ГАЗОВОГО ТОПЛИВА. НЕ ТЕРЯЙТЕ ВРЕМЕНИ!

ОБЩАЯ ИНФОРМАЦИЯ:

- Газовый обогреватель может применяться для обогрева небольших помещений для отдыха, при условии достаточного притока воздуха, необходимого для горения и вентиляции, например, в палатках, коттеджах, рыболовных домиках и на крытых террасах. В чрезвычайных ситуациях прибор можно использовать для обогрева внутренних помещений с подключением к одноразовому баллону с пропаном (G31) объемом 465 г ИЛИ с бутан-пропановой смесью (G30+G31) объемом 450 г. Кроме того, прибор можно использовать в промышленных помещениях при условии достаточного притока воздуха для горения и вентиляции, например, в прицепах-бытовках для строителей или на временных рабочих площадках.

Примечание: При использовании прибора на открытом воздухе возможны произвольные отключения, вызванные порывами ветра.

- При пониженной или комнатной температуре понадобится несколько минут после включения, прежде чем панель нагреется до ярко-оранжевого цвета. Это свидетельствует о нормальной работе обогревателя. При появлении на панели языков пламени отключите обогреватель и вызовите представителя технических служб.
- При включенном приборе полоса шириной 0,635 см вокруг нагревательной панели не имеет ярко-оранжевого цвета. Такое состояние обогревателя вполне нормально.
- При первом включении обогревателя верхняя часть рефлектора может потерять цвет. Это нормальное явление, и не должно вызывать беспокойства.
- При использовании на высоте более 2,13 км над уровнем моря прибор может гореть не так ярко, как в обычных условиях. Это нормальное явление. Кроме того, на такой высоте обогреватель может произвольно отключаться. В этом случае обеспечьте приток свежего воздуха, подождите 5 минут и снова включите прибор. В зависимости от окружающих погодных условий повторное включение обогревателя может оказаться невозможным.
- Время работы обогревателя зависит от выбранных настроек и размера газового баллона. Баллон с пропаном (G31) или с бутан-пропановой смесью 70/30 (G30+G31) весом 450 г обеспечивает работу обогревателя в течение 3-6 часов. Баллон весом 5 кг гарантирует работу прибора в течение 48-110 часов (в зависимости от параметров настройки – HI (высокая мощность) или LO (низкая мощность)). С учетом химических свойств пропана, время работы может значительно сократиться, если прибор используется при температуре ниже -7° Цельсия.
- Прибор оборудован специальным предохранителем на случай падения. Произвольные отключения могут быть вызваны толчками и ударами. В таких случаях еще раз включите обогреватель.
- В связи с особенностями эксплуатации небольших газовых баллонов на них может образовываться конденсат, стекающий на поверхность обогревателя. В некоторых случаях возможно замерзание конденсата, вызванное резким охлаждением прибора в процессе испарения пропана (G31). Это нормальное явление, и не должно вызывать беспокойства.

ПРАВИЛА ВКЛЮЧЕНИЯ / ЭКСПЛУАТАЦИИ ПРИ РАБОТЕ С ОДНОРАЗОВЫМ БАЛЛОНОМ С ПРОПАНОМ (G31) ИЛИ БУТАН-ПРОПАНОВОЙ СМЕСЬЮ 70/30 (G30+G31) ВЕСОМ 450 Г:

ВНИМАНИЕ: Перед подключением баллона с пропаном необходимо тщательно осмотреть баллон и соединение с пропан-бутановым переходником обогревателя на предмет повреждения или загрязнения.

Не пользуйтесь обогревателем, в случае если головка газового баллона повреждена, проколота или изношена.

ПОДСОЕДИНЯТЬ И ОТСОЕДИНЯТЬ БАЛЛОН СЛЕДУЕТ НА ОТКРЫТОМ ВОЗДУХЕ, ВДАЛИ ОТ ОТКРЫТОГО ОГНЯ И ВОЗМОЖНЫХ ИСТОЧНИКОВ ВОЗГОРАНИЯ. ПРИ ЭТОМ ОБОГРЕВАТЕЛЬ ДОЛЖЕН НАХОДИТЬСЯ В ОХЛАЖДЕННОМ СОСТОЯНИИ. ВОЗДЕРЖИТЕСЬ ОТ КУРЕНИЯ ПРИ ПОДСОЕДИНЕНИИ И ОТСОЕДИНЕНИИ БАЛЛОНА С ПРОПАНОМ (G31)/БУТАН-ПРОПАНОВОЙ СМЕСЬЮ (G30+G31), А ТАКЖЕ ПРИ ПОДКЛЮЧЕНИИ К УДАЛЕННОЙ ГАЗОВОЙ ЕМКОСТИ!

- Используйте только одноразовые баллоны с пропаном (G31) объемом 465 г, совместимые с соединительным клапаном № 600 или баллоны с бутан-пропановой смесью (70/30) (G30+G31) с винтовой нарезкой типа 7/16-28 ENEF-2B.
- Перед подсоединением газового баллона убедитесь, что пломбы имеются в наличии и не повреждены. Рисунок 4. Не пользуйтесь прибором с поврежденными или нечеткими пломбами, а также при обнаружении утечки, повреждения или неполадок в работе.
- Убедитесь, что имеющая четыре положения ручка настройки находится в положении OFF (Выкл); см. рисунок 1.
- При использовании баллона с пропаном: Поверните регулятор наружу, чтобы облегчить установку баллона. Введите одноразовый баллон с пропаном (G31) весом 465 г в переносной обогреватель по часовой стрелке (снизу) до отказа; см. рисунок 2. При данном способе соединения НЕ РЕКОМЕНДУЕТСЯ использовать резьбовой герметик.
- В случае использования бутан-пропановой смеси (G30+G31): Введите медный переходник по часовой

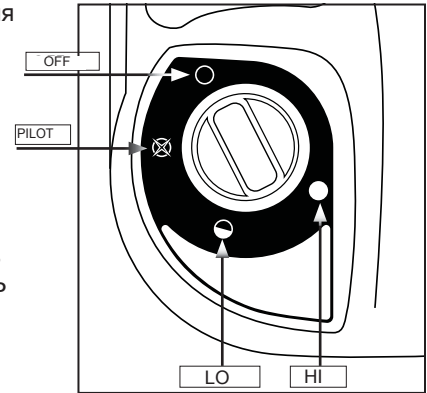


Рисунок 1: Ручка настройки

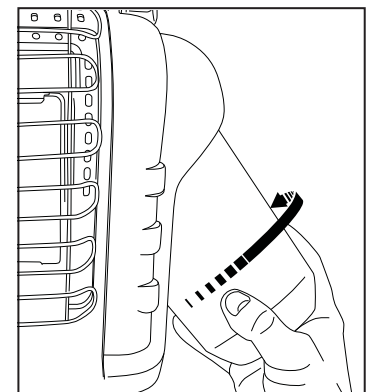


Рисунок 2: Присоединение газового баллона

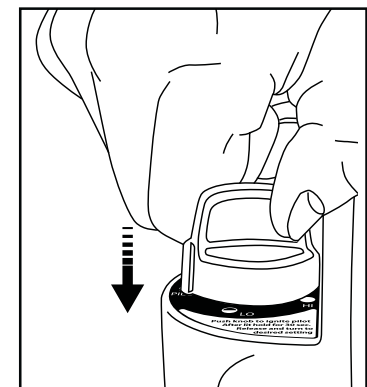


Рисунок 3: Зажигание

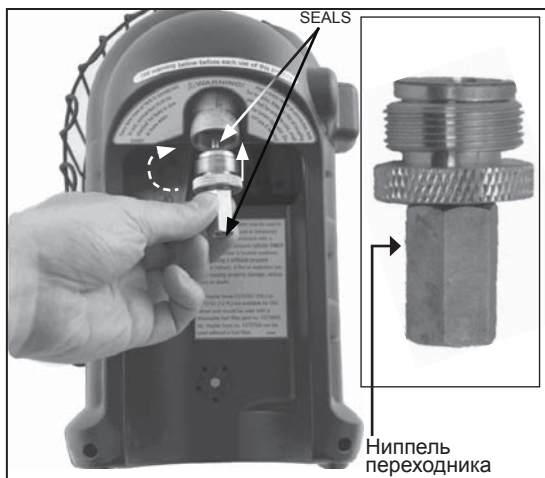


Рисунок 4: Бутановый переходник

стрелке в регулятор переносного обогревателя (снизу) до отказа. См. рисунок 4. При данном способе соединения не рекомендуется использовать резьбовой герметик. Введите баллон с бутан-пропановой смесью в переходник (по часовой стрелке). Поворот ниппеля переходника указывает на успешное присоединение баллона. После этого установите баллон на стойку.

- Используя мыльный раствор, проверьте плотность контакта между переходником и баллоном на предмет возможной утечки в месте винтового соединения под куполообразной крышкой, где баллон примыкает к регулятору. СМ. НАДПИСЬ «ВНИМАНИЕ!» НА ПЛАСТИКОВОЙ КРЫШКЕ.

- Поверните ручку настройки в положение PILOT (КОНТРОЛЬ) и нажмите, чтобы зажечь обогреватель; см. рисунки 1 и 3.

- Если зажигания не произошло, удерживайте ручку в течение 30 секунд; отпустите и нажмите снова. Повторяйте эти шаги до успешного зажигания контрольной горелки.

- После успешного зажигания контрольной горелки удерживайте ручку в течение 30-60 секунд, а затем отпустите. Ручка должна вернуться в полностью вы-

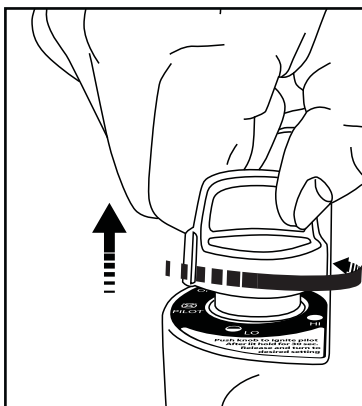


Рисунок 5: Отпустите ручку

двинутое положение; для эксплуатации обогревателя слегка нажмите ручку и мягко поверните ее, закрепив в положении HI (ВЫСОКАЯ МОЩНОСТЬ), чтобы зажечь панель горелки. Оставьте ручку в положении HI (ВЫСОКАЯ МОЩНОСТЬ), пока панель горелки не приобретет ярко-оранжевый цвет. Рисунок 5.

ПРИМЕЧАНИЕ: при первой попытке зажечь прибор нередко возникают вспышки. Держите прибор на безопасном расстоянии от лица и легко воспламеняемых материалов.

- После того, как панель горелки приобретет ярко-оранжевый цвет, регулируйте теплоотдачу поворотом ручки настройки в желаемое положение (LO (НИЗКАЯ МОЩНОСТЬ) или HI (ВЫСОКАЯ МОЩНОСТЬ) Рисунок 1.

Внимание:

НЕ ПОЛЬЗУЙТЕСЬ ОБОГРЕВАТЕЛЕМ, ЕСЛИ РУЧКА НАСТРОЙКИ НЕ ЗАБЛОКИРОВАНА В ПОЛОЖЕНИИ HI (ВЫСОКАЯ МОЩНОСТЬ), (LO (НИЗКАЯ МОЩНОСТЬ) ИЛИ PILOT (КОНТРОЛЬ)). НИКОГДА НЕ ОСТАВЛЯЙТЕ РУЧКУ НАСТРОЙКИ МЕЖДУ ЗАБЛОКИРОВАННЫМИ ПОЛОЖЕНИЯМИ. ЭТО МОЖЕТ НАРУШИТЬ БЕЗОПАСНОСТЬ СГОРАНИЯ ТОПЛИВА И ПРИВЕСТИ К ПОВЫШЕНИЮ УРОВНЯ УГАРНОГО ГАЗА.

- Для выключения обогревателя слегка нажмите ручку настройки и поверните ее по часовой стрелке в положение OFF (ВЫКЛ).
- ОСТОРОЖНО:** Открытые детали обогревателя могут оставаться горячими. Защитная решетка служит для предотвращения возможного пожара или ожогов, и потому должна всегда оставаться на месте. ОНА НЕ ГАРАНТИРУЕТ ПОЛНУЮ ЗАЩИТУ ДЕТЯМ И ИНВАЛИДАМ. Дайте прибору окончательно остыть, прежде чем убрать его в место хранения.
- Поверните ручку в положение OFF (ВЫКЛ). Перед отсоединением газового баллона убедитесь, что горелки погасли.
- ДЛЯ ОТСОЕДИНЕНИЯ БАЛЛОНА С ПРОПАНОМ (G31):** Снимите баллон со стойки и вращайте против часовой стрелки до полного отделения от обогревателя.
- ДЛЯ ОТСОЕДИНЕНИЯ БАЛЛОНА С БУТАН-ПРОПАНОВОЙ СМЕСЬЮ (G30+G31):** Снимите баллон со стойки и вращайте против часовой стрелки до полного отделения от переходника.
- После отсоединения баллона вращайте переходник против часовой стрелки до полного отделения от обогревателя. Запрещается эксплуатация, хранение и снятие баллона рядом с легко воспламеняющимися предметами и возможными источниками возгорания. Замену газового баллона следует производить в хорошо вентилируемом пространстве, предпочтительно на открытом воздухе, вдали от источников возгорания, например, открытого огня, контрольных горелок, электрокамин, а также вдали от людей.
- НЕОБХОДИМО ОТСОЕДИНИТЬ баллоны с пропаном (G31) или бутан-пропановой смесью (G30+G31) ОТ ОБОГРЕВАТЕЛЯ, КОГДА ОН НЕ ИСПОЛЬЗУЕТСЯ!** Убедитесь в целостности пломб, прежде чем подсоединить к прибору новый газовый баллон.

УХОД ЗА ПРИБОРОМ:

МЕРЫ ПРЕДОСТОРОЖНОСТИ, НЕОБХОДИМЫЕ В СЛУЧАЕ, КОГДА ПРИБОР НЕ ИСПОЛЬЗУЕТСЯ В ТЕЧЕНИЕ ДОЛГОГО ВРЕМЕНИ:

Пламя контрольной горелки

Индикатор снижения уровня кислорода

Рисунок 6

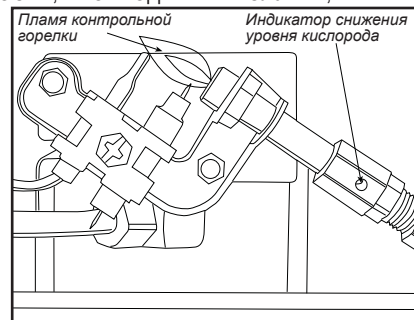


Рисунок 6

При использовании обогревателя

убедитесь, что рядом с ним нет легко воспламеняющихся материалов, бензина и других горючих жидкостей и газов.

Когда обогреватель не используется, храните его в пакете с застежкой-молнией или в месте, недоступном для проникновения пыли.

Не допускайте загрязнения и засорения вентиляционных каналов (отверстия в верхней и нижней части обогревателя).

Во время использования периодически осматривайте горелки (в том числе контрольную). Пламя контрольной горелки должно быть синего цвета (не желтого) и выходить за пределы термопары. Пламя должно окружать термопару чуть ниже кончика. См. рисунок 6.

В месте соприкосновения пламени контрольной и основной горелки могут появляться желтоватые языки. Горелка должна нагреться до ярко-оранжевого цвета (внешний контур горелки может приобретать синеватый цвет, а на керамической плитке может быть заметно красно-оранжевое свечение) без появления сколько-нибудь заметных языков пламени. Появление на керамической поверхности

сти голубых языков пламени свидетельствует о накопившихся внутри корпуса и горелки прибора пыли, волокон и паутины. Желтый цвет контрольной горелки, а также появление на ней пламени, может указывать на необходимость проведения чистки прибора. Следующие шаги помогут вам произвести тщательный осмотр корпуса и блока основной горелки.

Время от времени необходимо проверять сопло и диффузор горелки, чтобы убедиться, что в них не поселились насекомые и не появилась паутина. Засорение труб может привести к пожару.

1. Осуществляя уход за прибором, дождитесь, пока он полностью остынет.
2. Отсоедините баллон от обогревателя или отключите (OFF) подачу газа на клапане удаленной газовой емкости, и отсоедините шланг от обогревателя.
3. Выкрутите (4) четыре шурупа, удерживающих на месте заднюю крышку обогревателя.
4. Поверните крышку наружу снизу. Разомкните 2 верхних зажима. Отложите крышку в сторону.
5. Выкрутите (4) шурупа, удерживающих на месте горелку, и отсоедините топливопровод от горелочного блока. Снимите горелочный блок с задней панели корпуса.
6. Убедитесь, что во внутренней части корпуса не скапливается пыль, волокна или паутина. В случае необходимости произведите чистку внутренней части корпуса пылесосом или сжатым воздухом. Во время очистки старайтесь не повредить детали корпуса.
7. Произведите осмотр и чистку сопла основной горелки (оно находится в специальной вставке для крепления сопла). Вставка крепится к диффузору горелочного блока (2) двумя шурупами.
8. Произведите осмотр и чистку контрольной горелки (закрепленной на кронштейне) с помощью пылесоса или сжатого воздуха через отверстия в контрольной горелке, обозначенные стрелками на рисунке 6.
ВНИМАНИЕ: Производя чистку контрольного механизма, не пользуйтесь иголками, проволокой или другими предметами цилиндрической формы, чтобы не повредить градуированное сопло, регулирующее подачу газа.
9. Направьте поток сжатого воздуха (давление не должно превышать 2,1 кг на см²) на керамическую поверхность и сопло горелки (см. № 16) для удаления пыли, волокон и паутины.
10. Закрепите вставку для крепления сопла основной горелки на горелочный блок.
11. Установите горелочный блок внутрь корпуса обогревателя.
12. Установите топливопровод и убедитесь, что нет утечки.
13. Закрепите заднюю крышку обогревателя.

ИНФОРМАЦИЯ ПО УСТРАНЕНИЮ НЕИСПРАВНОСТЕЙ:

Искровой электрод не выдает искру.

ПРОВЕРЬТЕ

- Брак искрового электрода – замените индикатор снижения уровня кислорода.
- Провод воспламенителя не подключен к искровому электроду – подключите.
- Провод воспламенителя поврежден – замените.
- Брак пьезовоспламенителя – замените блок газового клапана.

Искровой электрод выдает искру, но контрольная горелка не зажигается.

ПРОВЕРЬТЕ

- Газ не подается к обогревателю – установите одноразовый баллон или подсоедините шланг к клапану удаленной газовой емкости.
- Положение PILOT (КОНТРОЛЬ) не выставлено соответствующим образом – поверните ручку контроля подачи газа до положения PILOT (КОНТРОЛЬ) и нажмите.
- Грязь или паутина в направляющей трубке – прочистите направляющую трубку (см. раздел УХОД ЗА ПРИБОРОМ).

Контрольная горелка гаснет при отпуске кнопки.

ПРОВЕРЬТЕ

- Ручка настройка в положении PILOT (КОНТРОЛЬ) не нажата до конца или не удерживается достаточно долго для полного продува канала.
- Пламя контрольной горелки не доходит до термопары – прочистите контрольную горелку (см. раздел УХОД).
- Брак блока контрольной горелки – замените.
- Провода ртутного выключателя рассоединены – подсоедините.

Основная горелка не зажигается.

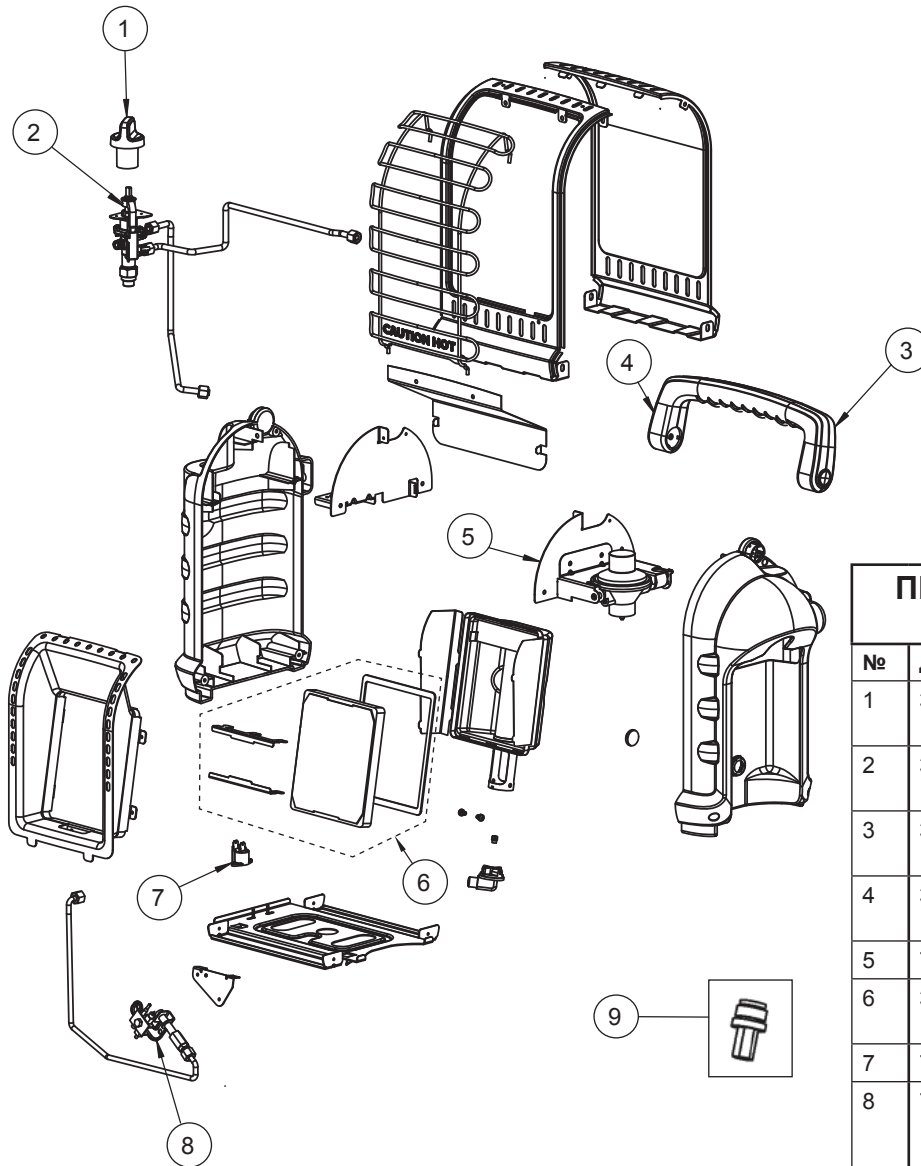
ПРОВЕРЬТЕ

- Основная горелка засорена – прочистите горелку (см. раздел УХОД ЗА ПРИБОРОМ).

Обогреватель отключается при нормальной работе.

ПРОВЕРЬТЕ

- Контрольная горелка засорена – прочистите горелку (см. раздел УХОД ЗА ПРИБОРОМ).
- Обеспечьте отверстие для притока свежего воздуха площадью не менее 15,24 см² (например, 7,62 см x 7,62 см).
- В результате толчка или удара сработал предохранитель – Повторно зажгите обогреватель
- Повреждение регулятора – Замените регулятор.
- Внутреннее загрязнение – Замените клапан настройки и регулятор.
- Свяжитесь с технической службой для получения дополнительной информации.



ПЕРЕЧЕНЬ ЗАПАСНЫХ ЧАСТЕЙ:

№	детали	Описание
1	32017	Ручка клапана безопасности, красного цвета
2	32054	Регулятор клапанного блока
3	32015	Ручка пластиковая, серого цвета (задняя часть)
4	32014	Ручка пластиковая, серого цвета (передняя часть)
5	75198	Блок регулятора с опорой
6	33088	Набор для замены панели Н9ВХДФ
7	73403	Предохранитель
8	73396	Индикатор снижения уровня кислорода, блок контрольной горелки
9	15164	Бутановый переходник

КОМПЛЕКТУЮЩИЕ ДЕТАЛИ, ОДОБРЕННЫЕ К ПРОДАЖЕ КОМПАНИЕЙ MR. HEATER (продаются отдельно)

ДЕТАЛИ	ОПИСАНИЕ
32008	Блок шлангового соединения для пропана 1,52 м (шарнир 1"-20 Male Throwaway Cyl. Thd. X P.O.L. с рукояткой) (рекомендован для использования с топливным фильтром).
F273699	Топливный фильтр (подлежит ежегодной замене)



РУКОВОДСТВО ПО ЭКСПЛУАТАЦИИ И ОБСЛУЖИВАНИЮ

№ модели

MH8BXDF



ВНИМАНИЕ:

ПРИОБРЕТАЙТЕ ЗАПАСНЫЕ ЧАСТИ ТОЛЬКО У ПРОИЗВОДИТЕЛЯ. ИСПОЛЬЗОВАНИЕ ДРУГИХ ДЕТАЛЕЙ МОЖЕТ ПРИВЕСТИ К ТЕЛЕСНЫМ ПОВРЕЖДЕНИЯМ И ГИБЕЛИ ЛЮДЕЙ. ПОЛУЧЕННЫЕ ОТ ПРОИЗВОДИТЕЛЯ ЗАПАСНЫЕ ЧАСТИ МОГУТ БЫТЬ УСТАНОВЛЕНЫ ТОЛЬКО КВАЛИФИЦИРОВАННЫМ ТЕХНИЧЕСКИМ ПЕРСОНАЛОМ. ШЛАНГИ 32008 ПРОИЗВОДСТВА КОМПАНИИ MR. HEATER ПРЕДНАЗНАЧЕНЫ ДЛЯ ИСПОЛЬЗОВАНИЯ С ДАННОЙ МОДЕЛЬЮ ОБОГРЕВАТЕЛЯ В КОМПЛЕКТЕ С ОДНОРАЗОВЫМ ТОПЛИВНЫМ ФИЛЬТРОМ F273699 (ПОДЛЕЖИТ ЕЖЕГОДНОЙ ЗАМЕНЕ). ИСПОЛЬЗОВАНИЕ ДРУГИХ ШЛАНГОВ МОЖЕТ ВЫЗВАТЬ НЕПОЛАДКИ В РАБОТЕ ОБОГРЕВАТЕЛЯ.

ИНФОРМАЦИЯ ПО ЗАКАЗУ ЗАПАСНЫХ ЧАСТЕЙ:

ЗАКУПКА: Запасные части можно приобрести на сайте www.mrheater.com, а также у местных представителей компании.

ИНФОРМАЦИЯ ПО ОБСЛУЖИВАНИЮ: www.mrheater.com

Часы работы офиса 08:00 – 17:00 по североамериканскому восточному времени, с понедельника по пятницу.

Переговоры с представителями технических служб ведутся в режиме реального времени на сайте www.mrheater.com

В процессе переговоров укажите номер модели, дату покупки и точное описание возникшей проблемы.

ОГРАНИЧЕННАЯ ГАРАНТИЯ

Компания Mr. Heater, Inc. гарантирует отсутствие дефектов используемые материалы и производственного брака в отношении всех выпускаемых ею обогревателей и запасных частей. В случае обнаружения дефектов в течение одного года компания Mr. Heater, Inc. обязуется исправить или заменить прибор при условии, что он будет возвращен продавцу вместе с доказательством совершения покупки в течение гарантийного периода.

Компания Mr. Heater, Inc. оставляет за собой право в любое время вносить изменения, касающиеся цвета, технических характеристик, комплектации, материалов и моделей своей продукции без дополнительных уведомлений и обязательств.

Обогреватель можно приобрести в следующих странах:



РЕГИСТРАЦИЯ ПРОДУКЦИИ: Спасибо за покупку.

Пожалуйста, зарегистрируйте Ваш обогреватель на сайте <http://www.egiregistration.com>.

MR. HEATER, INC., 4560 W. 160TH ST., CLEVELAND, OHIO 44135 USA • 800-251-0001

Торговые марки Mr. Heater и Portable Buddy принадлежат корпорации Enerco Group, Inc.

© 2015, Enerco/Mr. Heater. Все права защищены



INSTRUKCJA OBSŁUGI I PODRĘCZNIK Użytkownika



PRZENOŚNY PROMIENNIK BUDDY

Model #

MH8BXDF

WAŻNE: Przeczytaj uważnie niniejsze instrukcje użytkownika w celu zapoznania się z urządzeniem przed jego połączeniem z kartridżem gazowym. Zachowaj niniejsze instrukcje do późniejszego wglądu.



**STOSUJ WYŁĄCZNIE
OGRZEWACZE Z
KARTRIDŻEM
GWINTOWANYM**

PRZENOŚNY PROPANOWY
(G31) BUTANOWO/
PROPANOWY (G30 + G31)
GAZOWY OGRZEWACZ DO
UŻYTKU REKREACYJNEGO,
KOMERCYJNEGO ORAZ
DORAŻNEGO STOSOWANY
W POMIESZCZENIACH

UWZGLĘDNIONE JĘZYKI:

ANGIELSKI, NIEMIECKI, FRANCUSKI, WŁOSKI, HISPZAŃSKI,
HOLENDERSKI, PORTUGALSKI, ROSYJSKI, POLSKI, FIŃSKI,
SZWEDZKI, NORWESKI, DUŃSKI



Nie Uwzględniony Kartridż 1 funtowy (450g) z Propanem (G31)



Nie Uwzględniony Kartridż (450g) z Mieszaną Butan/Propan (G30+G31)

OSTRZEŻENIE: Nieprzestrzeganie informacji zawartych w tym podręczniku może skutkować pożarem lub wybuchem powodując zniszczenie mienia, urazy ciała lub utratę życia.

- Nie należy przechowywać lub stosować benzyny lub innych palnych oparów lub płynów w pobliżu tego lub innych urządzeń.
- Kartridż Propanowy (G31) lub Butan/Propan (G30+G31) niepodłączony do urządzenia nie będzie przechowywany w jego pobliżu lub innych urządzeń.
- CO ROBIĆ GDY POCZUJESZ ZAPACH GAZU
 - Nie próbuj włączać urządzenia.
 - Stłum wszelki otwarty ogień.
 - Wyłącz dopływ gazu do urządzenia.
- Naprawa musi być przeprowadzana przez wykwalifikowaną agencję serwisową.

Jest to niewentylowany gazowy przenośny ogrzewacz. Wykorzystuje powietrze (tlen) z otoczenia w którym jest stosowany. Należy zapewnić właściwą ilość powietrza do spalania oraz wentylacji. Patrz strona 3.

OSTRZEŻENIE:

- ⚠ Przy każdym podłączeniu zbiornika do urządzenia należy sprawdzić szczelność w następujący sposób: Pokryj połączenie wodą z mydłem obserwując bąbelki, słuchając syczenia ulatniającego się gazu, czując dotkliwe zimno oraz zapach gnijących jaj. Jeżeli wystąpi wyciek z twojego urządzenia (zapach gazu), natychmiast wynieś je na zewnątrz do środowiska dobrze wentylowanego, wolnego od otwartego ognia, gdzie przeciek zostanie wykryty i zatrzymany. Jeżeli zamierzasz zbadać przecieki w twoim urządzeniu należy to robić na zewnątrz. Nie próbuj wykrywania przecieków przy użyciu ognia, użyj wody z mydłem. Wszelkie zmiany dokonane na ogrzewaczu lub jego regulatorach mogą być niebezpieczne NIE przerabiaj urządzenia.

OSTRZEŻENIE:

- ⚠ Wczesne objawy zatrucia tlenkiem węgla przypominają grypę z bólem głowy, zawrotami i/lub nudnościami. Jeśli wystąpią te objawy, ogrzewacz może działać niewłaściwie. Natychmiast wyjdź na świeże powietrze! Oddaj ogrzewacz do przeglądu.

OSTRZEŻENIE:

- ⚠ Jeśli pomieszczenie rekreacyjne lub komercyjne nie posiada okna lub wentylacji dachowej, NIE UŻYWAJ TEGO OGRZEWACZA WEWNĄTRZ. Używaj wyłącznie w dobrze wentylowanym pomieszczeniu.

SPIS TREŚCI

Ogólne Instrukcje Bezpieczeństwa	2
Ostrzeżenie Przed Zanikiem Zapachu	3
Informacje Ogólne	4
Obsługa z Wymiennymi Kartridżami Propanu	4
Obsługa z Wężem Połączonym ze Zdalnym Kartridżem	5
Konserwacja	6
Rozwiązywanie Problemów	7
Lista Części	8
Informacje Dotyczące Zamawiania Części	9
Informacje Dotyczące Serwisowania	9

SPECYFIKACJA

MODEL NR.	MH8BXDF
TYP GAZU...Propan (G31) jak np. Coleman oraz 70/30 Mieszanka Butan/Propan (G30+G31) jak Primus Power.	
WEJŚCIE BTU/HR.....	4,000(1.17 KW) / 8,000(2.4 KW)
ODLEGŁOŚCI OD MATERIAŁÓW PALNYCH	
GÓRA	30"/76.2 cm
PRZÓD	24"/60.96 cm
BOKI	6"/15.24 cm
TYŁ	0"

UWAGA:

- Niektóre powierzchnie dywanowe lub linoleum mogą ulec odbarwieniu, jeśli ogrzewacz jest umiejscowiony bezpośrednio na tego rodzaju okładzinach podłogowych.
- Podczas działania ogrzewacza na wysokości powyżej 7,000 FT (2.13 km) nad poziomem morza, urządzenie może się wyłączyć. (Proszę przeczytać INFORMACJE OGÓLNE).

OSTRZEŻENIE:

- Urządzenie będzie używane wyłącznie z Opami Propanu Pod Ciśnieniem 100%(G31) oraz Mieszanką Propan Butan 70/30 (G30+G31). Montowanie kartridżów z innymi gazami może być niebezpieczne.

OGÓLNE INSTRUKCJE BEZPIECZEŃSTWA TO JEST URZĄDZENIE GRZEWACZE. NIE OBSŁUGUJ URZĄDZENIA BEZ ZAINSTALOWANEGO PRZEWODU W OPŁOCIE DRUCIANYM. NIE PRÓBUJ PODGRZEWAC LUB GOTOWAC JEDZENIA NA TYM OGRZEWACZU.

- Nie stosuj niezatwierdzonych przyrządów w tym ogrzewaczu. Nie przerabiaj urządzenia.
- Ze względu na wysoką temperaturę urządzenie powinno być usytuowane z dala od szlaków komunikacyjnych oraz materiałów palnych. (Patrz SPECYFIKACJA)
- UWAGA: dostępne części mogą stać się bardzo gorące. Trzymaj dzieci z dala od urządzenia. Dzieci oraz dorośli powinni uważać na zagrożenie wynikające z wysokich temperatur powierzchni i trzymać się z dala by uniknąć oparzeń lub zapalenia części garderoby.
- Należy zwracać uwagę na małe dzieci gdy znajdują się w pobliżu urządzenia.
- Nie kładź ubrań lub innych palnych materiałów na lub obok urządzenia.
- Nie obsługuj ogrzewacza w poruszających się pojazdach, takich jak przyczepy turystyczne oraz autokarawany. Nie stosuj w mieszkaniach wysokich budynków, piwnicach, łazienkach lub sypialniach.
- Ogrzewacz może być również używany w pomieszczeniach rekreacyjnych lub komercyjnych z wentylacją okienną lub dachową. Może być również używany na zewnątrz.
- Ten ogrzewacz wymaga dobrze wentylowanych lokalizacji 9 cali kwadratowych (22.86 cm²) (przykład 3" /7.62 cm x 3" /7.62 cm otwór) minimum dla właściwej wentylacji w czasie pracy, co jest zgodne z krajowymi wymogami zapotrzebowania na ilość powietrza do spalania. Wewnątrz nie stosuj innych urządzeń działających w oparciu o paliwa.
- CIŚNIENIE GAZU W OGRZEWACZU JEST REGULOWANE I USTAWIONE NA 11" W.C.(27.4 milibar) W ŻADNYM WYPADKU NIE REGULUJ LUB ZMNIEJSZAJ CIŚNIENIA PROPANU (g31) LUB MIESZANKI BUTAN/PROPANPROPANE(G30+G31) W KARTRIDŻU ZASILAJĄCYM OGRZEWACZ!
- REGULATOR W OGRZEWACZU MUSI BYĆ ZAWSZE NA MIEJSCU W CZASIE PRACY.
- Jeśli opłot druciany został zdjęty dla celów serwisowych musi być ponownie zamontowany przed rozpoczęciem obsługi ogrzewacza.
- Urządzenie powinno przechodzić kontrolę przed każdym użyciem. Wymagane jest regularne czyszczenie. Komory sterowania, palnik oraz kanały cyrkulacji powietrza urządzenia muszą być utrzymane w czystości, patrz KONSERWACJA.
- NIE UŻYWAJ ogrzewacza jeśli jakkolwiek jego część znajduje się pod wodą. Natychmiast wezwij wykwalifikowanego technika serwisowego w celu inspekcji ogrzewacza i ewentualnej wymiany części układu sterowania oraz regulatora gazu, który znajdował się pod

- woda.
- W czasie działania bez dostępu wystarczającej ilości powietrza spalania i wentylacji, ogrzewacz może wydzielać znaczną ilość TLENKU WĘGLA, bezwonnego, trującego gazu.
 - Niektóre osoby - kobiety w ciąży, osoby z chorobami serca lub płuc, anemią, znajdujący się pod wpływem alkoholu, znajdujące się na dużych wysokościach geograficznych - są bardziej zagrożone tlenkiem węgla.
 - Kiedy ogrzewacz jest umiejscowiony na podłożu, upewnij się, że powierzchnia jest równa i utrzymaj dystans wszelkich przedmiotów, co najmniej 24 cali (60.96 cm) od czoła ogrzewacza. **NIE PRZEMIESZCZAJ URZĄDZENIA W CZASIE JEGO PRACY, WSTRZĄSY I PODSKOKI MOGĄ URUCHOMIĆ URZĄDZENIE OCHRONNE PRZED WYWRÓCENIEM NIE POZOSTAWIAJ URZĄDZENIA BEZ DOZORU LUB KIEDY DZIECI MOGĄ SPOWODOWAĆ JEGO PRZEWRÓCENIE. NIGDY NIE WŁĄCZAJ URZĄDZENIA PODCZAS SNU!**

OSTRZEŻENIE PRZED ZANIKIEM ZAPACHU

OSTRZEŻENIE

Niebezpieczeństwo Uduszenia

- Nie stosuj urządzenia w miejscach niewentylowanych.
- Przepływ powietrza do spalania i wentylacji nie może być zakłócony.
- Zapewnij właściwy poziom powietrza do wentylacji by wspomagać spalanie w obsługiwanym ogrzewaczu.
- Odnieś się do sekcji specyfikacji podręcznika ogrzewacza, tabliczki znamionowej lub skontaktować się z zakładem w celu określenia wymagań dotyczących powietrza do spalania i wentylacji ogrzewacza.
- Brak właściwej ilości powietrza wentylacyjnego prowadzi do nieprawidłowego spalania.
- Nieprawidłowe spalanie prowadzi do zatrucia tlenkiem węgla a to z kolei do urazu lub śmierci. Symptomy zatrucia tlenkiem węgla to ból głowy, zawroty oraz trudności w oddychaniu.

ZAPACH PALIWA GAZOWEGO

Gaz propan (G31) oraz mieszanka butan/propan (G30+G31) posiada, wytworzone przez człowieka związki zapachowe dodawane w celu wykrywania wycieków paliwa gazowego. Jeśli wystąpi wyciek gazu powinno się poczuć zapach paliwa gazowego. Ponieważ Propan (G31) jest cięższy od powietrza można poczuć zapach gazu nisko przy podłodze. KAŻDY ZAPACH GAZU POWINIEN BYĆ SYGNAŁEM DLA ROZPOCZĘCIA NATYCHMIASTOWEGO DZIAŁANIA!

- Nie rozpoczynaj żadnego działania, które spowoduje zapalenie paliwa gazowego. Nie obsługuj żadnych elektrycznych przełączników. Nie ciągnij za przewody zasilające lub przedłużacze. Nie zapalaj zapalaka lub jakiegokolwiek źródła ognia. Nie używaj telefonu!
- Natychmiast wyprowadź wszystkich na zewnątrz, z dala od miejsca awarii.
- Zamknij wszystkie zbiorniki z propanem (G31) lub zawory kartridżów zasilających lub główny zawór zasilania znajdujący się na mierniku, jeśli używasz gazu naturalnego.

- Propan(G31) jest cięższy od powietrza, dlatego może gromadzić się w niższych obszarach. Kiedy istnieje podejrzenie wycieku propanu należy trzymać się z dala od niskich obszarów.
- Skorzystaj z telefonu sąsiada by skontaktować się z dostawcą gazu oraz strażą pożarną. Nie wchodź ponownie do budynku lub zagrożonego obszaru.
- Zostań poza budynkiem i z dala od zagrożonego obszaru do odwołania przez straż pożarną oraz dostawcę gazu.
- **NA KONIEC**, serwisant gazowy oraz strażacy kontrolują wyciek gazu. Przed powrotem do budynku i obszaru służby przewietrzają te miejsca. Właściwie wyszkoleni serwisanci muszą naprawić wszelkie wycieki, sprawdzić czy nie pojawiają się inne, a następnie ponownie włączyć urządzenie.

ZANIKANIE ZAPACHU - NIEWYKRYWANIE ZAPACHU

- Niektórzy ludzie mają słaby węch. Niektórzy ludzie nie potrafią wyczuć zapachu substancji chemicznej dodawanej do propanu (G31). Musisz stwierdzić czy potrafisz wyczuć związek zapachowy w paliwie gazowym.
- Naucz się rozpoznawać zapach propanu (G31). Miejscowi dostawcy propanu (G31) chętnie dadzą ci próbkę zapachową. Korzystaj z niej by poznać zapach paliwa gazowego.
- Palenie zmniejsza zdolność wyczuwania zapachu. Przebywanie w obecności zapachu przez pewien czas może zmniejszyć wrażliwość na ten zapach. Zapachy obecne w pomieszczeniach dla zwierząt mogą maskować zapach paliwa gazowego.
- **Substancja zapachowa w propanie (G31) jest bezbarwna a jej intensywność słabnie w pewnych okolicznościach.**
- Jeżeli wyciek wystąpił pod ziemią filtrowanie gazu przez glebę zmniejsza intensywność zapachu.
- Intensywność zapachu propanu (G31) może być zróżnicowana. Ponieważ propan (G31) jest cięższy od powietrza na niższych poziomach może znajdować się więcej zapachu.
- **Należy być zawsze uważliwym na nawet najłżejszy zapach gazu.** Jeśli nadal wyczuwasz zapach gazu, nawet najmniejszy, traktuj go jak poważny wyciek. Natychmiast rozpocznij działanie, jak omawiano wcześniej.

UWAGA - KRYTYCZNE PUNKTY DO ZAPAMIĘTANIA!

- Propan (G31) lub mieszanka Butan/Propan (G30+G31) posiadają charakterystyczny zapach. Naucz się rozpoznawać te zapachy. (Odnieś się do sekcji Zapach Paliwa Gazowego oraz Zanikanie Zapachu powyżej.
- Nawet jeśli nie jesteś właściwie wyszkolony w serwisowaniu i naprawie ogrzewacza, **ZAWSZE** bądź wrażliwy na zapach propanu (G31) oraz gazu naturalnego.
- Jeśli nie zostałeś właściwie przeszkolony w naprawie i serwisowaniu propanu (G31) lub mieszanki Butan/Propan (G30+G31) nie próbuj włączać ogrzewacza, dokonywać serwisowania lub napraw lub wykonywać wszelkich regulacji ogrzewacza działającego w układzie paliwa gazowego propanu (G31) lub mieszanki Butan/Propan(G30+G31).
- Regularny test węchowy wokół ogrzewacza lub jego złączek; np. wąż, połączenia itd., jest dobrym i bezpiecznym sposobem w każdych warunkach. Jeśli wyczuwasz nawet niewielką ilość gazu, **NATYCHMIAST SKONTAKTUJ SIĘ Z DOSTAWCĄ GAZU. NIE ZWLEKAJ!**

INFORMACJE OGÓLNE:

- Ogrzewacz jest bezpieczny do stosowania w małych rekreacyjnych wnętrzach z dostępem powietrza do spalania i wentylacji, takich jak namioty, dachy, chatki rybackie oraz ogrodzone tarasy. Może być stosowane do doraźnego ogrzewania wnętrz po podłączeniu do jednorazowego kartridża 1 lb.(465g) propanu (G31) lub 450g mieszanki Butan/Propan (G30+G31) oraz do ogrzewania pomieszczeń komercyjnych z dostępem powietrza do spalania i wentylacji, takich jak przyczepy budowlane lub tymczasowe pomieszczenia robocze.

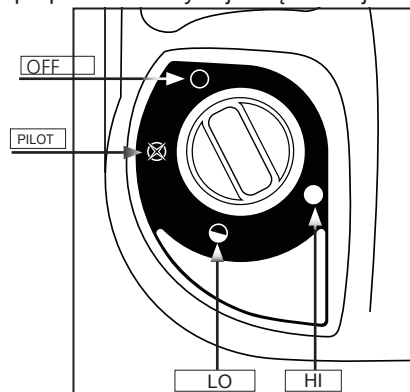
Uwaga: Ogrzewacz może być stosowany na zewnątrz, jednak zdmuchnięcia płomienia w czasie wietrznej pogody mogą okazać się uciążliwe.

- Kiedy ogrzewacz jest zimny lub o temperaturze pokojowej uzyskanie jasnopomarańczowego płomienia na płytce palnika może zabrać kilka minut. Jest to zjawisko normalne a ogrzewacz działa właściwie. Jeśli płytka palnika płonie w sposób widoczny należy wyłączyć ogrzewacz a następnie wezwać wykwalifikowanego technika serwisowego.
- Kiedy urządzenie jest włączone powinien znajdować się pasek oddzielający o szerokości jednej czwartej cala (1/4"-.635 cm) wokół płytki, który nie zabarwia się na jasnopomarańczowy kolor. Jest to zjawisko normalne.
- Podczas pierwszego działania ogrzewacza górny obszar reflektora może się odbarwić. Jest to również zjawisko normalne i nie należy się niepokoić.
- Podczas działania ogrzewacza na wysokości powyżej 7,000 FT (2.13km) nad poziomem morza, urządzenie może nie palić się tak jaskrawym płomieniem jak na wysokościach niższych. Jest to zjawisko normalne. Na większych wysokościach ogrzewacz może ulec wyłączeniu. Jeśli tak się stanie należy dostarczyć świeże powietrze, poczekać 5 minut a następnie zapalić ponownie. Ze względu na miejscowe warunki atmosferyczne ogrzewacz może nie zapalić się ponownie.
- Czas działania będzie zależał od ustawienia ogrzewacza oraz wielkości kartridża zasilającego. Od 3 do 6 godzin przy kartridżu 1 lb. propanu (G31) lub 6 godzin przy kartridżu 450G 70/30 mieszanki Butan/Propan (G30+G31) . Od 48 do 110 godzin na kartridżu 20 lb.(5KG) (w oparciu o "WYSOKIE" i "NISKIE" ustawienia). Ze względu na własności propanu (G31) czas działania może ulec znacznemu zmniejszeniu przy pracy ciągłej w temperaturach poniżej 20°F.
- Ogrzewacz jest wyposażony w wyłącznik bezpieczeństwa na wypadek wywrócenia. Może dojść do uciążliwych wyłączeń jeśli urządzenie podskakuje lub jest przenoszone. Jeśli tak się stanie należy ponownie włączyć ogrzewacz.
- Ze względu na naturalne działanie małych zbiorników może wystąpić kondensacja pary a następnie skraplać się na podłożu pod ogrzewaczem. Czasami kondensat może zamarznąć w wyniku skrajnego zimna spowodowanego parowaniem propanu (G31). Jest to zjawisko normalne i nie należy się niepokoić.

OŚWIETLENIE / INSTRUKCJA OBSŁUGI DO UŻYTKU Z WYMIENNYMI KARTRIDŻAMI 1 LB. PROPANU (G31) LUB 450G 70/30 MIESZANKI BUTAN PROPAN (G30+G31):


OSTRZEŻENIE: Zawsze kontroluj kartridż propanu i połączenie łącznika ogrzewacza propan/Butan w celu wykrycia uszkodzeń, zanieczyszczeń oraz osadu przed podłączeniem kartridża propanu. Nie używaj urządzenia jeśli głowica kartridża jest uszkodzona, przekłuta lub zniszczona.

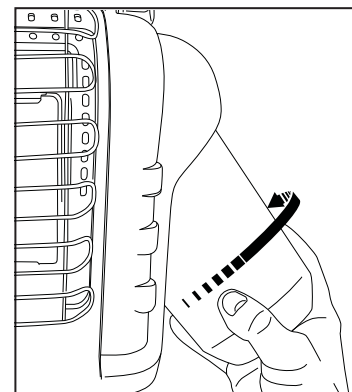
ZAWSZE MOCUJ I USUWAJ KARTRIDŻ NA ZEWNĄTRZ Z DALĄ OD PŁOMIENI, INNYCH ŹRÓDEŁ ZAPŁONU ORAZ JEDYNIEM PO OSTYgniĘCIU URZĄDZENIA. NIE PAL PODCZAS MONTAŻU



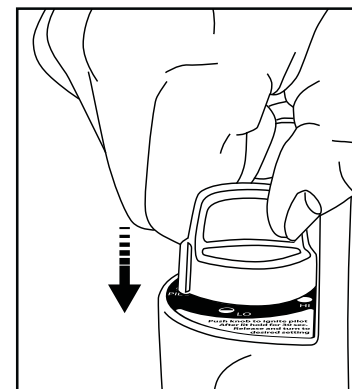
Rysunek 1: Pokrętko

LUB DEMONTAŻU KARTRIDŻA Z PROPANEM LUB WYKONUJĄC ZDALNE POŁĄCZENIA!

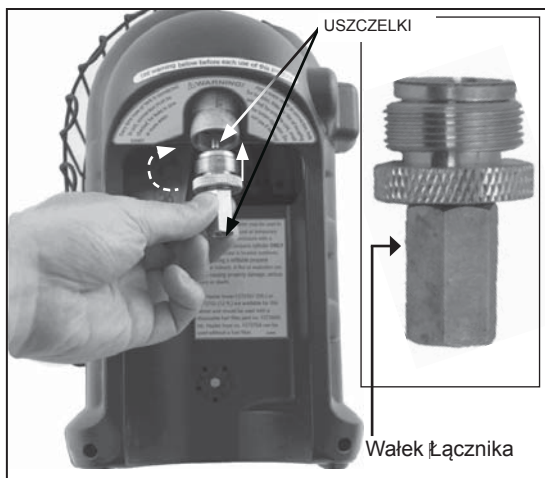
- Używaj wyłącznie wymiennych kartridżów propanu (G31) 16.4 oz. (1 lb.), które pasują do połączenia zaworu Nr 600 lub mieszanki butan/propan (70/30) z gwintem typu 7/16-28 ENEF-2B.
- Upewnij się, że uszczelki (pomiędzy urządzeniem a kartridżem gazu) są na miejscu i w dobrym stanie przed jego połączeniem z kartridżem. Rysunek 4. Nie używaj urządzeń, których uszczelki są zniszczone lub zużyte. Nie używaj urządzenia, które ma wyciek, jest zniszczone lub nie działa prawidłowo.
- Upewnij się, że czwarta pozycja pokrętkła znajduje się w pozycji "OFF" ; patrz Rysunek 1.
- Przy użyciu z propanem: Obróć regulator ku górze dla łatwej instalacji zbiornika. Wkręć wymienny kartridż z propanem (31) 1 lb. (465g) w kierunku zgodnym z ruchem wskazówek zegara (od dołu) do przenośnego ogrzewacza aż do oporu; patrz Rysunek 2. NIE stosuj uszczelniaczy do gwintów na tym połączeniu.
- Przy użyciu z mieszanką butan/propan (G30+G31): Wkręć mosiężny łącznik w kierunku zgodnym z ruchem wskazówek zegara do regulatora przenośnego ogrzewacza (od dołu) aż do całkowitego dokręcenia. Patrz Rysunek 4. Nie stosuj uszczelniacza do gwintów na tym połączeniu Wkręć kartridż



Rysunek 2: Wkręć zbiornik z gazem




Rysunek 3: Zapłon

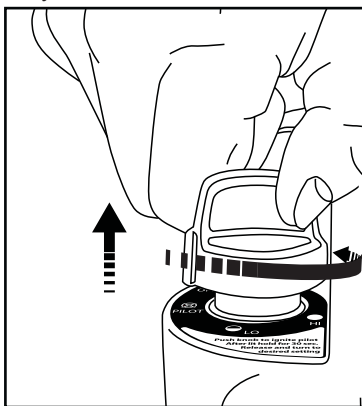


Rysunek 4: "Łącznik Butanu".



mieszanki Butan/propan do łącznika (w kierunku zgodnym z ruchem wskazówek zegara), kiedy wałek na łączniku obraca się oznacza to, że kartridż jest połączony, następnie zamocuj kartridż do podstawy.

- Sprawdź szczelność połączenia łącznika z kartridżem przy użyciu wody z mydłem na gwintowanym połączeniu pod wypukłą plastikową osłoną, w miejscu gdzie kartridż jest przykręcony do regulatora. **PATRZ OSTRZEŻENIE! NA WYPUKŁĘJ PLASTIKOWEJ OSŁONIE.**
- Obróć Pokrętko w kierunku przeciwnym do ruchu wskazówek zegara do pozycji "PILOT"  a następnie wciśnij je w celu włączenia; patrz Rysunek 1 i Rysunek 3.



- Jeśli ogrzewacz się nie włącza przytrzymaj pokrętko przez około 30 sekund; zwolnij i wciśnij ponownie. Powtarzaj aż do zapalenia płomienia.
- Po zapaleniu płomienia przytrzymaj wciśnięte pokrętko przez około 30-60 sekund a następnie je zwolnij. Pokrętko powinno powrócić do położenia maksymalnie wysuniętego; By ogrzewacz działał lekko wciśnij pokrętko i delikatnie obróć






Rysunek 5: "Zwolnić Pokrętko".


do pozycji "HI"  w celu zapalenia płytki palnika. Pozostaw pokrętko w pozycji "HI"  aż do zabarwienia się płytki palnika na kolor jasnopomarańczowy. Rysunek 5


UWAGA: Buchanie płomienia jest częstym zjawiskiem przy pierwszym zapaleniu urządzenia. Trzymaj twarz oraz przedmioty palne z dala od urządzenia.

- Po zabarwieniu się płytki palnika na kolor jasnopomarańczowy wyreguluj moc grzewczą przez obrócenie Pokrętła do wymaganej pozycji (ustawienia "LO"  lub "HI"  Rysunek 1.

Ostrzeżenie:

OBSŁUGUJ OGRZEWACZ TYLKO WTEDY KIEDY POKRĘTKO JEST ZABLOKOWANE W POZYCJACH OZNACZONYCH "HI"  "LO"  LUB "PILOT"  NIGDY NIE USTAWIAJ POKRĘTKA POMIĘDZY TYMI POZYCJAMI. MOŻE TO POWODOWAĆ SŁABE SPALANIE ORAZ WYSOKI POZIOM TLENKU WĘGLA.

- W celu wyłączenia ogrzewacza lekko pchnij w dół i obróć Pokrętko w kierunku zgodnym z ruchem wskazówek zegara do pozycji "OFF" .

- **UWAGA:** Dostępne części mogą stać się bardzo gorące. Osłona na urządzeniu zapobiega pożarowi lub urazowi ciała w wyniku poparzenia, dlatego żadna jego część nie powinna być trwale usuwana. **NIE ZAPEWNIĄ PEŁNEJ OCHRONY MAŁYM DZIECIOM LUB OSOBOM NIEPEŁNOSPRAWNYM.** Pozwól ostygnąć urządzeniu przed jego schowaniem.
- Obróć Pokrętko do pozycji "OFF" . Upewnij się, że palniki wygasły przed odłączeniem kartridża z gazem
- W CELU USUNIĘCIA KARTRIDŻA Z PROPANEM (G31): Wyjmij kartridż z podstawy a następnie obróć go w kierunku przeciwnym do ruchu wskazówek zegara, aż zostanie w pełni odkręcony z ogrzewacza.
- W CELU USUNIĘCIA KARTRIDŻA Z MIESZANKĄ BUTAN/PROPAN (G30+G31): Wyjmij kartridż z podstawy a następnie obróć go w kierunku przeciwnym do ruchu wskazówek zegara, aż zostanie w pełni odkręcony z łącznika.
- Po usunięciu kartridża odkręć łącznik Butanu obracając go w kierunku przeciwnym do ruchu wskazówek zegara, aż do jego pełnego odkręcenia z ogrzewacza.
- Nie obsługuj, nie przechowuj lub nie wyjmuj kartridża blisko elementów palnych lub źródeł zapłonu. Wymieniaj kartridże wyłącznie w dobrze wentylowanych miejscach, najlepiej na zewnątrz z dala od wszelkich źródeł zapłonu, takich jak otwarty ogień, płomień pilotowy, paleniska elektryczne oraz z dala od innych ludzi.
- Kartridże z Propanem (G31) lub mieszanką Butan/Propan (G30+G31) MUSZĄ BYĆ ODŁĄCZONE OD OGRZEWACZA KIEDY NIE JEST W UŻYCIU! Skontroluj uszczelki przed podłączeniem nowego kartridża z gazem do urządzenia.

KONSERWACJA:

ŚRODKI OSTROŻNOŚCI W CZASIE W KTÓRYM URZĄDZENIE NIE JEST UŻYWANE:

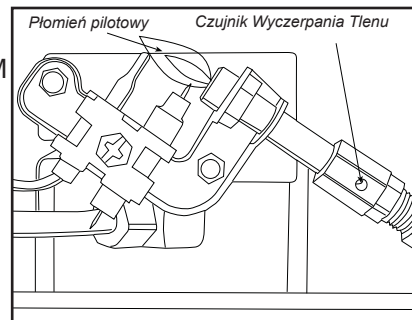
Zawsze utrzymuj obszar działania ogrzewacza wolny od materiałów palnych, benzyny oraz innych palnych oparów i płynów.

Przechowuj ogrzewacz po ostygnięciu w torbie zapinanej na zamek lub innym szczelnym wolnym od kurzu pomieszczeniu, w czasie między użytkowaniem.

Utrzymuj miejsca wentylacji niezatkane (otwory dolne i górne z przodu ogrzewacza).

Regularnie kontroluj wzrokowo płomień pilotowy oraz palnik w okresie użytkowania. Płomień pilotowy powinien mieć niebieski kolor (nie żółty) i powinien sięgać poza termoogniwo. Płomień ma otaczać termoogniwo pod jego końcówką, patrz Rysunek 6.

Niewielki żółty płomień może pojawić się w miejscu spotkania płomienia pilotowego z głównym płomieniem na palniku. Palnik powinien być koloru jasnopomarańczowego (z niewielkim niebieskim odcieniem wokół krawędzi, czerwono-pomarańczowa mgielka widoczna na płytce ceramicznej jest dopuszczalna) bez zauważalnego płomienia. Niebieski płomień falujący u góry płytki ceramicznej oznacza nagromadzenie się kurzu, pyłu lub sieci pajęczej wewnątrz zespołu obudowy i głównego zespołu palnika. Jeśli płomień pilotowy jest żółty lub na palniku jest zauważalny płomień urządzenie wymaga czyszczenia. Użyj poniższej procedury w celu kontroli zespołu



Rysunek 6

obudowy oraz głównego zespołu palnika.

Niezbędna jest regularna kontrola zwężki i kryzy palnika w celu sprawdzenia czy są wolne od gniazd insektów i sieci pajęczych, które z czasem mogą się nagromadzić. Zatkana rura może doprowadzić do pożaru.

- 1 Pozwól ostygnąć ogrzewaczowi przed rozpoczęciem wszelkich czynności konserwacyjnych.
- 2 Wyjmij kartridż z ogrzewacza lub WYŁĄCZ zasilanie gazu na zdalnym zaworze kartridża, a następnie odłącz wąż od ogrzewacza.
- 3 Wykręć (4) cztery śruby mocujące tylną pokrywę do Ogrzewacza.
- 4 Obróć pokrywę od dołu w kierunku na zewnątrz. Zwolnij 2 górne klamry. Odłóż na bok.
- 5 Odkręć (4) cztery śruby mocujące palnika oraz przewód paliwowy z zespołu palnika. Wyjmij zespół palnika z tylnej części obudowy.
- 6 Sprawdź wnętrze zespołu obudowy w celu stwierdzenia obecności kurzu, pyłu lub sieci pajęczej. Jeśli to konieczne wyczyść wnętrze zespołu obudowy odkurzaczem lub sprężonym powietrzem. Nie zniszcz komponentów wewnątrz zespołu obudowy podczas czyszczenia.
- 7 Skontroluj i oczyść kryzę głównego palnika (wkręcane w uchwyt kryzy). Uchwyt kryzy jest mocowany do zespołu krzywki palnika za pomocą (2) dwóch śrub.
- 8 Skontroluj i oczyść rurkę pilotową (mocowaną do wspornika) za pomocą odkurzacza lub sprężonego powietrza wdmuchiwanego w otwory w rurce oznaczonej strzałką na Rysunku 6.
OSTRZEŻENIE: Nigdy nie używaj igieł, drutów lub podobnych cylindrycznych przedmiotów do czyszczenia rurki pilotowej by nie uszkodzić skalibrowanej kryzy, która kontroluje przepływ gazu.
- 9 Wdmuchuj sprężone powietrze o ciśnieniu (maks. 30 psi) do płytki ceramicznej zespołu palnika oraz zwężki (patrz 16) w celu usunięcia kurzu, pyłu i sieci pajęczej.
- 10 Ponownie zamontuj uchwyt kryzy głównego palnika na zespole palnika.
- 11 Ponownie zainstaluj zespół palnika do obudowy ogrzewacza
- 12 Ponownie zainstaluj przewód gazowy i sprawdź czy nie ma wycieków.
- 13 Zainstaluj tylną pokrywę ogrzewacza.

INFORMACJE DOTYCZĄCE ROZWIĄZYWANIA PROBLEMÓW:

Jeśli elektroda zapłonowa nie wytwarza iskry.

KONTROLA

- Elektroda zapłonowa zepsuta – wymień ODS (Czujnik Wyczerpania Tlenu).
- Przewód zapłonika może nie być podłączony do elektrody zapłonowej, przewód uziemiający może nie być podłączony do ramy - podłącz.
- Przewód zapalnika uszkodzony – wymień.
- Zapalnik piezoelektryczny wadliwy – wymień zespół zaworu gazowego.

Jeśli elektroda zapłonowa wytwarza iskry ale płomień pilotowy nie zapala się.

KONTROLA

- Brak gazu – zainstaluj wymienny kartridż lub połącz wąż a następnie odkręć zawór na zdalnym kartridżu.
- Pozycja pokrętła "PILOT" nie ustawiona właściwie – obróć pokrętło gazu na pozycję "PILOT" a następnie je wciśnij.
- Rurka pilotowa jest zatkana siecią pajęczą lub zabrudzona - wyczyść rurkę, patrz KONSERWACJA.

Jeśli płomień pilotowy gaśnie po zwolnieniu przycisku.

KONTROLA

- Pokrętło w pozycji "PILOT" nie wciśnięte całkowicie lub nie wystarczająco długo by usunąć powietrze z przewodów.
- Płomień pilotowy nie otacza termoogniwa - oczyść rurkę pilotową, patrz KONSERWACJA.
- Zespół rurki pilotowej wadliwy – wymień.
- Rozłączone przewody wyłącznika przyciskowego - połącz.

Jeśli główny palnik nie zapala się.

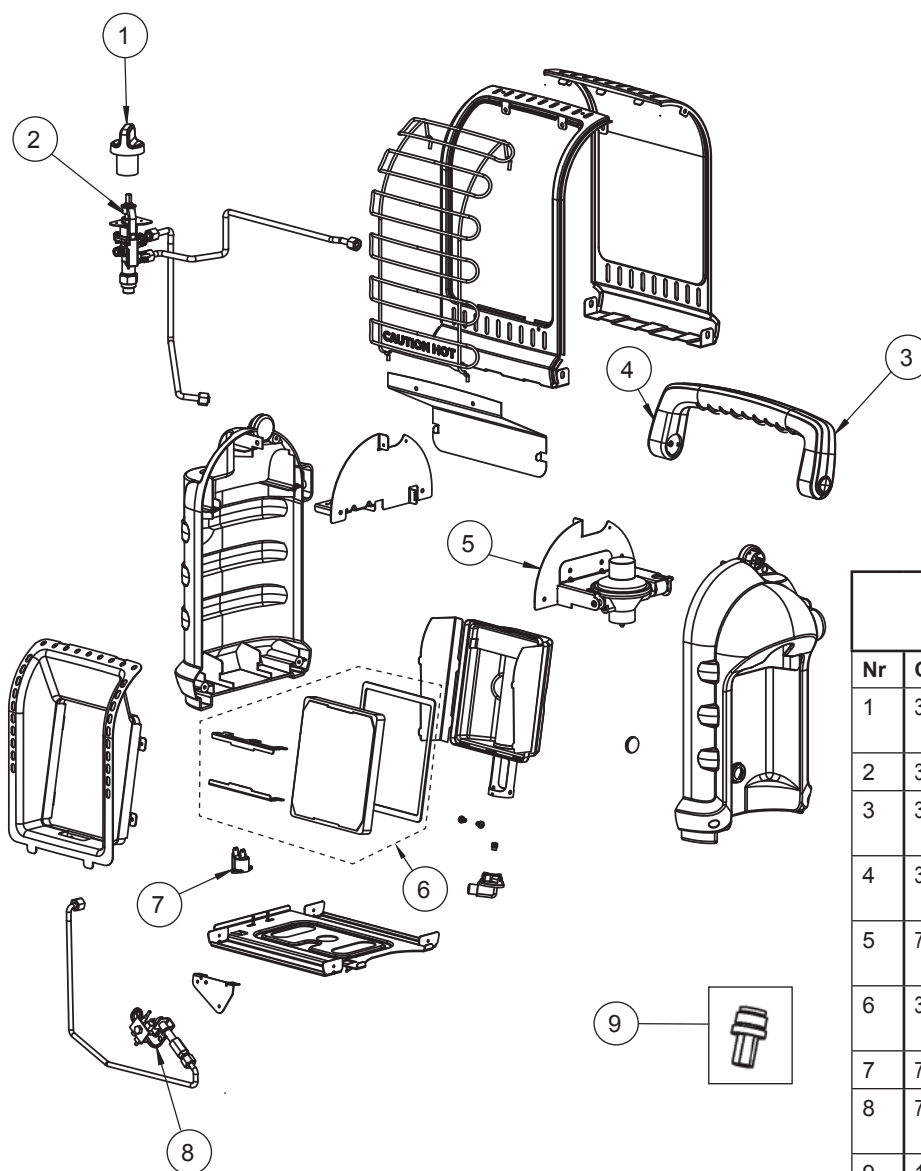
KONTROLA

- Kryza głównego palnika jest zatkana – wyczyść palnik, patrz KONSERWACJA.

Jeśli Ogrzewacz stale się wyłącza w czasie normalnej pracy.

KONTROLA

- Rurka pilotowa jest zatkana – wyczyść rurkę, patrz KONSERWACJA.
- Zapewnij minimalny otwór dostępu świeżego powietrza 9 cali kwadratowych (15.24 centymetrów kwadratowych), (przykład otwór 3" (7.62 cm) x 3" (7.62 cm))
- Aktywacja włącznika ochrony przed przewróceniem spowodowana uderzeniem ogrzewacza. Włącz ponownie
- Wadliwy regulator - Wymień regulator.
- Wewnętrzne zanieczyszczenie - Wymień zawór regulacyjny oraz regulator.
- Skontaktuj się z Serwisem Technicznym w celu uzyskania dodatkowych informacji.



LISTA CZĘŚCI ZAMIENNYCH:

Nr	Część#	Opis
1	32017	Pokrętko, Zawór, Bezpieczeństwo, Czerwony
2	32054	Zawór, Zespół, Regulacja
3	32015	Uchwyt, Tylny, Plastikowy, Szary
4	32014	Uchwyt, Przedni, Plastikowy, Szary
5	75198	Zespół, Regulator, z/ Podporą
6	33088	Płytko, Zestaw Wymienny, H9BXDF
7	73403	Wyłącznik, Przyciskowy
8	73396	ODS/ Rurka pilotowa, Zespół
9	15164	Łącznik Butanu

ZATWIERDZONE AKCESORIA MR. HEATER (sprzedawane oddzielnie)

POZYCJA	OPIS
32008	5 ft. (1.52m) ZESTAW WĘŻA GAZOWEGO (propan) (Obrotowy 1"-20 Męski Wymienny Cylindryczny Łącznik X P.O.L. z/Uchwytem) (Zalecane użycie z filtrem paliwa.)
F273699	Filtr Paliwa (Roczna Wymiana)



INSTRUKCJA OBSŁUGI ORAZ PODRĘCZNIK UŻYTKOWNIKA

Model #
MH8BXDF



OSTRZEŻENIE:

UŻYWAJ WYŁĄCZNIE CZĘŚCI ZAMIENNYCH PRODUCENTA. STOSOWANIE INNYCH CZĘŚCI MOŻE SPOWODOWAĆ URAZ LUB ŚMIERĆ. CZĘŚCI ZAMIENNE SĄ DOSTĘPNE JEDYNIEM BEZPOŚREDNIO Z WYTWÓRNI I MUSZĄ BYĆ INSTALOWANE PRZEZ WYKWALIFIKOWANĄ AGENCJĘ SERWISOWĄ. MR. HEATER WAŻ 32008 JEST SPECJALNIE ZAPROJEKTOWANY DO UŻYTKU Z TYM OGRZEWACZEM ORAZ WYMIENNYM FILTREM PALIWA F273699 (Z ROCZNĄ WYMIANĄ). STOSOWANIE INNYCH WĘŻY MOŻE UNIEMOŻLIWIĆ DZIAŁANIE OGRZEWACZA.

INFORMACJE DOTYCZĄCE ZAMAWIANIA CZĘŚCI:

KUPOWANIE: Akcesoria mogą być kupowane na stronie www.mrheater.com oraz u lokalnych sprzedawców.

W CELU UZYSKANIA INFORMACJI DOTYCZĄCEJ SERWISU ODWIEDŹ STRONĘ: www.mrheater.com

Godziny otwarcia naszego biura 8:00 AM – 5:00 PM, czasu wschodniego, Od poniedziałku do piątku.

Możesz porozmawiać z przedstawicielem technicznym przez stronę www.mrheater.com

Należy załączyć numer modelu, datę zakupu oraz opis problemu we wszystkich kontaktach.

OGRANICZONA GWARANCJA

Mr. Heater, Inc. obejmuje gwarancją swoje ogrzewacze oraz akcesoria w celu usunięcia usterek materiałowych jak i wykonawczych na okres 1 roku od daty zakupu. Mr. Heater, Inc. naprawi oraz wymieni produkt za darmo jeśli w ciągu jednego roku zostanie dowiedziona jego wadliwość i zostanie odesłany do sprzedawcy z dowodem zakupu w okresie objętym gwarancją.

Mr. Heater, Inc. zastrzega sobie prawo dokonywania w dowolnym czasie zmian, bez powiadamiania ani zobowiązań, dotyczących koloru, specyfikacji, akcesoriów, materiałów oraz modeli.

Na sprzedaż w następujących krajach:



REJESTRACJA PRODUKTU: Dziękujemy za zakup.

Proszę zalogować się na stronie <http://www.egiregistration.com> w celu zarejestrowania waszego produktu.

MR. HEATER, INC., 4560 W. 160TH ST., CLEVELAND, OHIO 44135 USA • 800-251-0001

Mr. Heater oraz Portable Buddy są zarejestrowanymi znakami handlowymi Enerco Group, Inc.

© 2015, Enerco/Mr. Heater. Wszelkie prawa zastrzeżone



BETJENINGSINSTRUKTIONER OG BRUGERMANUAL



BÆRBAR BUDDY RADIANTVARMER

Model #

MH8BXDF

VIGTIGT: Læs denne brugsanvisning omhyggeligt for at blive fortrolig med apparatet, inden du tilslutter den til dens gaspatron. Gem disse instruktioner til fremtidig brug.



**BRUG KUN EN
VARMER MED
GEVINDPATRON**



1 punds (450g) (G31) propangaspatron medfølger ikke

BÆRBAR PROPAN(G31) OG BUTAN-/
PROPANBLANDING (G30 + G31) VARMER
TIL REKREATIV, KOMMERCIEL OG AKUT,
INDENDØRS BRUG

INKLUDEREDE SPROG:

ENGELSK, TYSK, FRANSK, ITALIENSK, SPANSK, HOLLANDSK,
PORTUGISISK, RUSSISK, POLSK, FINSK, SVENSK, NORSK, DANSK.



(450g) butan-/propanblanding (G30 + G31) gaspatron medfølger ikke

ADVARSEL: Hvis informationen i denne vejledning ikke følges nøjagtigt, kan en brand eller en eksplosion medføre skader på ejendom, personskade eller tab af menneskeliv.

- Opbevar eller brug ikke benzin eller andre brandfarlige dampe og væsker i nærheden af dette eller et hvilken som helst andet apparat.
- En propan (G31) eller butan-/propanblanding (G30 + G31) patron, der ikke er tilsluttet til brug, må ikke opbevares i nærheden af dette eller et hvilket som helst andet apparat.
- HVAD DER SKAL GØRES VED GASLUGT
 - Forsøg ikke at tænde for apparat.
 - Sluk al åben ild.
 - Sluk for gassen til apparatet.
- Service skal udføres af en kvalificeret servicevirksomhed.

Dette er en uventileret gasfyret, bærbar varmer. Den bruger luft (oxygen) fra det område, hvor den bruges. Der skal sørges for tilstrækkelig forbrænding og ventilationsluft. Der henvises til side 3.

ADVARSEL:

- ⚠ Hver gang der er tilsluttet en tank til enheden, skal tilslutningen kontrolleres for utætheder på én eller flere måder: Hæld sæbevand på tilslutningen, kig efter bobler, lyt efter hvæsen fra udstrømmende gas, mærk efter ekstrem kulde, lugt efter rådne æg. Hvis der er en lækage på apparatet (gaslugt), tages det straks udendørs til et sted, der er godt ventileret og flammefrit, og hvor lækagen kan findes og standses. Hvis du vil kontrollere dit apparat for lækager, så gør det udendørs. Prøv ikke på at finde utætheder ved hjælp af en flamme, men brug sæbevand. Eventuelle ændringer på denne varmer eller dens kontroller kan være farlige. Der må IKKE ændres på apparatet.

ADVARSEL:

- ⚠ De tidlige tegn på kulilteforgiftning ligner en influenza med hovedpine, svimmelhed og/eller kvalme. Hvis du har disse symptomer, arbejder varmeren muligvis ikke ordentligt. Få frisk luft med det samme! Få varmeren serviceret.

ADVARSEL:

- ⚠ Hvis det rekreative eller kommercielle lukke ikke har et vindue eller tagaftræk, SÅ BRUG IKKE DENNE VARMER INDENDØRS. Må kun bruges i et godt ventileret område.

INDHOLD

Generelle sikkerhedsanvisninger	2
Advarsel om svag lugt	3
Generel information	4
Drift med engangspropanpatroner	4
Drift med slange tilsluttet til patroner på afstand	5
Vedligeholdelse.....	6
Fejlfinding	7
Deleliste	8
Information om bestilling af dele	9
Serviceinformation	9

SPECIFIKATIONER

MODEL NR.....	MH8BXDF
GASTYPE...Propan (G31) såsom Coleman og 70/30 butan-/propanblanding (G30 + G31) såsom primusgas.	
INPUT BTU/TIME.....	4.000(1,17 KW) / 8.000(2,4 KW)
FRIGANG TIL BRÆNDBARE STOFFER	
TOP	30"/76,2 cm
FRONT.....	24"/60,96 cm
SIDER	6"/15,24 cm
BAGTIL	0"

Forsigtig:

- Visse tæpper eller linoleumsoverflader kan misfarves, hvis varmeren er placeret direkte på disse gulvbelægninger.
- Når varmeren bruges i højder over 7.000 fod (2,13 km) over havets overflade, kan varmeren lukke ned. (Læs venligst GENEREL INFORMATION).

ADVARSEL:

- Dette apparat må kun benyttes med brændstofferne damptrykket propan 100%(G31) og butan-/propanblanding 70/30 (G30+G31). Det kan være farligt at forsøge at sætte andre typer gaspatroner på.

GENERELLE SIKKERHEDSINSTRUKTIONER

DETTE ER ET VARMEAPPARAT. BRUG IKKE DETTE APPARAT UDEN AT FRONTGITTERET ER MONTERET. FORSØG IKKE AT VARME ELLER TILBEREDE MAD PÅ DENNE VARMER.

- Lav være med at bruge ikke-ikke-godkendt tilbehør på denne varmer. Der må ikke ændres på apparatet.
- På grund af de høje temperaturer skal apparatet være placeret væk fra trafik og væk fra brændbare materialer. (Se SPECIFIKATIONER)
- FORSIGTIG: Tilgængelige dele kan blive meget varme. Hold små børn væk fra apparatet. Børn og voksne bør advares om faren ved høje overfladetemperaturer og bør holde sig væk for at undgå forbrændinger eller antændelse af klæder.
- Unge børn bør overvåges omhyggeligt, når de er i nærheden af apparatet.
- Placér ikke tøj eller andet brændbart materiale på eller i nærheden af apparatet.
- Brug ikke varmeren i noget som helst køretøj i bevægelse såsom rekreative køretøjer som campingvogne og autocaravans. Må ikke bruges i højhuslejligheder, kældre, badeværelser eller soveværelser.
- Denne varmer kan også bruges i et rekreativt eller kommercielt lukke med vindue eller tagaftræk. Den kan også bruges udendørs.
- Denne varmer kræver et godt ventileret sted på 9 kvadrattommer (22,86 cm²) (eksempelvis 3" /7,62 cm x 3" /7,62 cm åbning) som minimum for en tilstrækkelig ventilation under brugen, som er i overensstemmelse med nationale bestemmelser om tilførsel af forbrændingsluft. Brug ikke andre brændstofforbrugende apparater indendørs.
- GASTRYKKET PÅ VARMEREN ER REGULERET OG FAST PÅ 11" VANDSØJLE (27,4 millibar). LAD UNDER ALLE OMSTÆNDIGHEDER VÆRE MED AT REGULERE ELLER REDUCERE PROPAN(G31) ELLER BUTAN-/PROPANBLANDINGENS(G30+G31) FORSYNINGSTRYK TIL VARMEREN!
- REGULATOREN I VARMEREN SKAL ALTID VÆRE PÅ PLADS UNDER BRUGEN.
- Hvis trådgitteret fjernes med henblik på servicering, skal det sættes på før varmeren bruges.
- Apparatet skal inspiceres før hver brug. En hyppig rengøring kan være påkrævet. Kontrolrummene, brænderen og

luftpassager med cirkulation i apparatet skal holdes rene, se VEDLIGEHOLDELSE.

- BRUG IKKE denne varmer, hvis en del af den har været under vand. Der skal straks ringes til en autoriseret servicetekniker til at inspicere varmeren og udskifte enhver del af kontrolsystemet og gaskontrol, som har været under vand.
- Når den bruges uden tilstrækkelig forbrænding og ventilationsluft, kan denne varmer afgive et overskud af KULILTE, en lugtfri, giftig gas.
- Bestemte mennesker – gravide kvinder, personer med hjerte- eller lungesygdomme, anæmi, dem under indflydelse af alkohol, dem i høje luftlag – er mere påvirket af kulilte end andre.
- Når varmeren er placeret på jorden, så sørg for, at jorden er plan og hold alle genstande mindst 24 tommer (60,96 cm) fra forsiden af varmeren. FLYT IKKE RUNDT MED APPARATET, NÅR DET KØRER, DA STØD OG BUMP KAN AKTIVERE VÆLTESIKRINGEN. EFTERLAD IKKE VARMEREN UDEN OPSYN ELLER HVOR BØRN KAN FÅ VARMEREN TIL AT TIPPE OVER. LAD ALDRIG VARMEREN KØRE, MENS DU SOVER!

ADVARSEL OM SVAG LUGT

ADVARSEL

Kvælningsfare

- Må ikke bruges i uventilerede områder.
- Flowet af forbrændings- og ventilationsluft må ikke hindres.
- Der skal sørges for ordentlig ventilationsluft til støtte for kravene om forbrændingsluft til varmeren i brug.
- Der henvises til varmermanualens specifikationafsnit, varmerens dataskilt eller kontakt fabrikken for at få bestemt varmerens ventilationskrav i forbindelse med forbrændingsluft.
- Mangel på ordentlig ventilationsluft vil føre til dårlig forbrænding.
- Dårlig forbrænding kan føre til kulilteforgiftning, der kan føre til alvorlig skade eller dødsfald. Symptomerne på kulilteforgiftning kan være hovedpine, svimmelhed og vejrtrækningsbesvær.

BRÆNDSTOFGAS TILSAT LUGT

Propangas(G31) og butan-/propanblandings(G30+G31) gasser har tilsatte, syntetiske duftstoffer specielt til påvisning af brændstogaslækager. Hvis der opstår en gaslækage, skulle man kunne lugte brændstogassen. Da propan (G31) er tungere end luft, skulle man kunne lugte gaslugten nede i gulvhøjde. ENHVER GASLUGT ER DIT SIGNAL AT SKRIDE TIL ØJEBLIKkelig HANDLING!

- Gør ikke noget som helst, der kan antænde brændstogassen. Betjen ikke elektriske kontakter overhovedet. Lad være med at trække strømledninger eller forlængerledninger ud. Lad være med at stryge tændstikker eller tænde nogen som helst anden flammekilde. Brug ikke din telefon.
- Få alle ud af bygningen og væk fra området lige på stedet.
- Luk alle brændstofforsyningsventiler til propan (G31) gastanken eller patronen, eller hovedforsyningsventilen på måleren, hvis du bruger naturgas.

- Propangas(G31) er tungere end luft og kan falde ned i lave områder. Hvis du har mistanke om en propanlækage, så hold dig væk fra alle lave områder.
- Brug din nabos telefon og ring til gasleverandøren og brandvæsenet. Gå ikke ind i bygningen eller området igen.
- Bliv ude af bygningen og væk fra området, indtil den/det er erklæret sikkert af brandvæsenet og gasleverandøren.
- ENDELIG, lad gasteknikeren og brandfolkene kontrollere gasudslippet. Lad dem lugte bygningen og området ud, før du vender tilbage. Veluddannet servicepersonale skal reparere eventuelle lækager, kontrollere for yderligere lækager og derefter tænde apparatet for dig.

LUGTEN FORSVINDER – INGEN LUGT OPDAGET

- Visse mennesker kan ikke lugte ret godt. Visse mennesker er ikke i stand til at registrere lugten af den kemikalie, der er tilsat propan(G31). Du skal finde ud af, om du kan lugte lugtstoffet i disse brændstogasser.
- Lær at genkende lugten af propangas (G31). Lokale propangas (G31) forhandlere vil være mere end glade for at give dig en duftprøve. Brug den til at blive fortrolig med lugten af brændstogas.
- Rygning kan nedsætte din evne til at lugte. At være i nærheden af en lugt i en vis tid kan påvirke din følsomhed over for denne særlige lugt. Lugte i bygninger med dyrehold kan camouflere lugten af brændstogas.
- **Lugtstoffet i propangas (G31) er farveløs og intensiteten af dens lugt kan falde under visse omstændigheder.**
- Hvis der er en underjordisk lækage, kan bevægelsen af gassen gennem jord filtre lugtstoffet.
- Lugten af propangas (G31) kan variere i intensitet på forskellige niveauer. Da propangas (G31) er tungere end luft, kan der være mere lugt på lavere niveauer.
- **Vær altid følsom over for den mindste gaslugt.** Hvis du fortsætter med at mærke eventuel gaslugt, uanset hvor lidt, så behandl den som en alvorlig lækage. Skrid straks til handling som nævnt tidligere.

BEMÆRK – KRITISKE PUNKTER, DER SKAL HUSKES!

- Propangas (G31) eller butan-/propanblanding (G30+G31) har en karakteristisk lugt. Lær at genkende disse lugte. (Reference: Afsnittene Brændstogas tilsat lugt og Advarsel om svag lugt ovenfor.)
- Selv hvis du ikke er ordentligt oplært i service og reparation af varmeren, så vær ALTID bevidst opmærksom på lugtene af propangas (G31) og naturgas.
- Hvis du ikke er blevet ordentligt oplært i reparation og service af propangas (G31) eller butan-/propanblandingen (G30+G31), så skal du ikke forsøge at tænde for varmeren, udføre service eller reparation, eller foretage justeringer af varmerens gasbrændstogsystem med dets propan (G31) eller butan-/propanblanding (G30+G31).
- En periodisk lugtetest omkring varmeren eller på varmerens samlinger, eksempelvis slange, tilslutninger etc., er en god sikkerhedspraksis under alle forhold. Hvis du lugter selv den mindste smule gas, så KONTAKT STRAKS DIN GASLEVERANDØR. VENT IKKE!

GENEREL INFORMATION:

- Denne varmer er sikker til indendørs brug i små, rekreative lukker, hvor der er mulighed for forbrændingsluft og ventilation, såsom telte, hytter, fiskehytter og lukkede indgangspartier. Den kan bruges til akut, indendørs opvarmning, når den er tilsluttet til en engangs, 1 lb.(465g) propan (G31) ELLER en patron med en 450g butan-/propanblanding (G30 + G31) og til indendørs brug i kommercielle lukker, hvor der er mulighed for forbrændingsluft og ventilation, såsom byggetrailere eller midlertidige lukker.
- Bemærk: Varmeren kan bruges udendørs, men man kan opleve generende nedlukninger på grund af bestemte vindforhold.
- Når varmeren er kold eller ved stuetemperatur, vil det tage et par minutter for brænderflisen at blive lys orange. Dette er normalt og varmeren fungerer ordentligt. Hvis brænderflisen flammer synligt, så sluk for varmeren og ring til en kvalificeret servicetekniker.
- Når enheden er tændt, skulle der være omkring en kvart tomme (1/4"-0,635 cm) kant omkring flisen, der ikke bliver lys orange. Dette er normalt.
- Når varmeren bruges første gang, kan det øverste område af reflektoren blive misfarvet. Dette er også normalt og der er ingen grund til bekymring.
- Når varmeren bruges i højder over 7.000 fod (2,13 km) over havets overflade, brænder enheden ikke så lyst som i lavere højder. Dette er normalt. I de højere luftlag, kan varmeren lukke ned. Hvis det sker, sørg for frisk luft, vent 5 minutter og tænd igen. På grund af lokale vejrforhold kan varmeren måske ikke tændes igen.
- Driftstiden vil afhænge af indstillingen på varmeren og medfølgende patrons størrelse. Op til 3 til 6 timer på en 1 lb. propan (G31) patron eller 3 til 6 timer på en 450G 70/30 butan-/propanblanding (G30 + G31) patron. Op til 48 til 110 timer på en 20 lb. (5KG) patron (baseret på indstillingerne "HI" og "LO"). På grund af propangassens (G31) egenskaber kan brændetiderne reduceres væsentligt ved kontinuerlig brug ved temperaturer under 20 F.
- Denne varmer er udstyret med en vælteafbryder. Der kan opleves generende nedlukninger, hvis enheden stødes eller flyttes. Hvis det sker, så tænd simpelthen for varmeren igen.
- På grund små tankes naturlige drift, kan der dannes kondens på tanken og den kan dryppe på overfladen under varmeren. Til tider kan denne kondensering fryse på grund af den ekstreme kulde, der opstår, når propan (G31) fordampes. Dette er normalt og der er ingen grund til at være urolig.


OPTÆNDING / INSTRUKTIONER FOR BRUG TIL BRUG SAMMEN MED ENGANGS 1 LB. PROPAN (G31) ELLER 450 G 70/30 BUTAN-PROPANBLANDING (G30+G31) PATRONER:

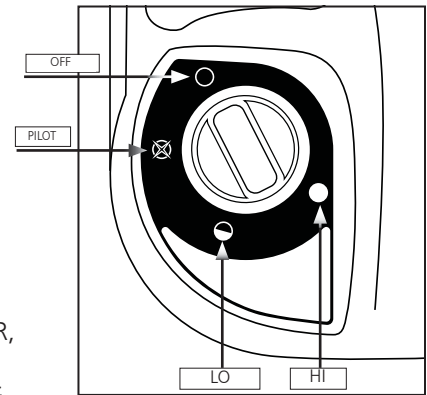
ADVARSEL: Inspicér altid propanpatronen og varmerens propan-/butan adaptertilslutninger for skader, snavs og smuds før montering af propanpatronen. Må ikke bruges, hvis patronens hoved er beskadiget, punkteret eller forringet.

MONTÉR ELLER AFMONTÉR PATRONEN UDENDØRS OG VÆK FRA FLAMMER, ANDRE ANTÆNDELSESKILDER, OG KUN NÅR VARMEREN ER KØLIG AT BERØRE. RYG ALDRIG, NÅR PROPANPATRONEN MONTERES ELLER AFMONTERES ELLER DER LAVES FJERNTILSLUTNINGER!

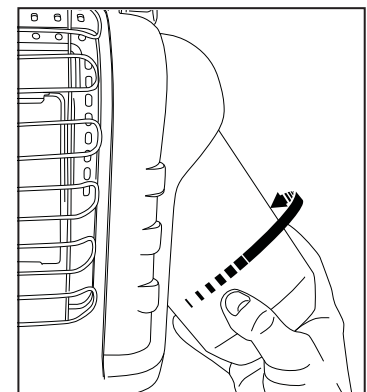
- Brug kun 16,4 ounce (1 lb.) engangs (G31) propanpatroner, der passer til nr. 600 ventiltilslutning eller butan-/propan (70/30) (G30+G31) blandinger med gevindtypen 7/16-28 ENEF-2B.

- Kontrollér, at pakningerne (mellem apparatet og gaspatronen) er på plads og i god stand før tilslutning til gaspatronen. Figur 4. Brug ikke et apparat, der har beskadigede eller slidte pakninger. Brug ikke et apparat, der lækker, er beskadiget eller som ikke fungerer korrekt.

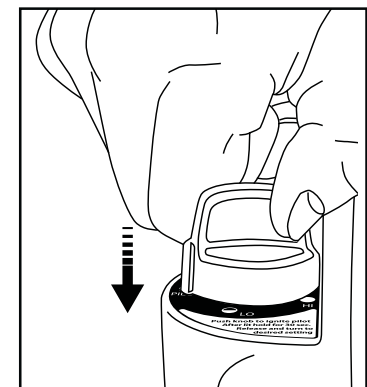
- Sørg for, at firepositions-kontrolknappen står på positionen "OFF" : Se figur 1.
- Brug med propan: Drej regulatoren udad for nem installation af tank. Skru 1 lb. (465g) engangspatronen med propangas (G31) med uret (fra bunden) ind i den bærbare varmer, indtil den er håndfast, se figur 2. BRUG IKKE gevindtætnere på denne tilslutning.
- Brug sammen med butan-/propanblanding (G30+G31): Skru messingadapteren med uret ind i regulatoren på



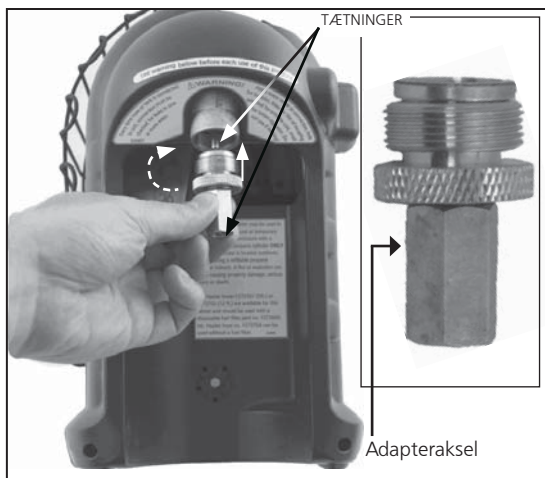
Figur 1: Kontrolknop



Figur 2: Fastgør brændstoffranken




Figur 3: Tænding



Figur 4: "Butanadapter"

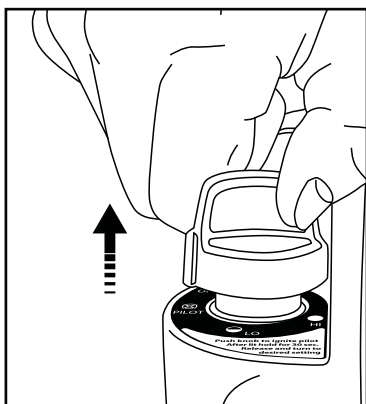
den bærbare varmer (fra bunden) indtil den er stram. Se figur 4. Brug ikke gevindtætnere på denne tilslutning. Skru butan-/propanblandings patron ind i adapteren (med uret), og når akslen på adapteren begynder at dreje, er patronen tilsluttet, så tilpas patronen ind i stativet.

- Kontrollér adapter- og patrontilslutningen for utætheder med sæbevand på gevindtilslutningen under den kuppelformede plastafdækningen, hvor patronen skrues ind i regulatoren. SE ADVARSEL! PÅ KUPPELFORMET PLASTAFDÆKNING.

- Drej kontrolknappen mod uret til positionen "PILOT"  og tryk for at tænde op – se figur 1 og figur 3.

- Hvis varmeren ikke tænder, så hold nede i ca. 30 sekunder, frigøre og tryk igen. Gentag, indtil tændflammen tænder.



- Efter tændflammen blusser op, så hold nede i 30 -60 sekunder og slip derefter knappen. Knappen skulle vende tilbage til fuldt udstrakt position. For at sætte lidt gang i varmeren, tryk knappen ind og drej let






Figur 5: "Release knob."

- for at låse i positionen "HI"  for at tænde brænderflisen. Lad den stå på positionen "HI" , indtil brænderflisen bliver lys orange. Figur 5.


BEMÆRK: Opblusninger er almindelige, når apparatet tændes op. Hold ansigtet og brændbare genstande væk fra apparatet.

- Efter at brænderflisen er blevet lys orange, justeres varmeydelsen ved at dreje kontrolknappen til den ønskede position (indstillingen "LO"  eller "HI" ) , figur 1.

Advarsel:

KØR IKKE MED VARMEREN, MEDMINDRE KONTROLKNAPPEN ER LÅST I EN POSITION MARKERET "HI" , "LO"  eller "PILOT" . SÆT ALDRIG KONTROLKNAPPEN MELLEMLÅST POSITIONER. RESULTATET KAN VÆRE DÅRLIG FORBRÆNDING OG HØJERE NIVEAUER AF CARBONMONOXID.

- For at slukke for varmeren trykkes kontrolknappen let ned og drejes med uret til positionen "OFF" .

- **FORSIGTIG:** Tilgængelige dele kan blive meget varme. Afskærmningen på dette apparat er sat på for at undgå risiko for brand eller skade fra forbrændinger og ingen del af den bør fjernes permanente DEN YDER IKKE FULD BESKYTTELSE FOR SMÅ BØRN ELLER SVAGELIGE. Lad apparatet køle grundigt af før opbevaring.
- Drej knappen til positionen "OFF"  . Kontrollér, at brænderne er slukkede, før gaspatronerne afmonteres.
- FOR AT FJERNE PROPAN (G31) PATRONEN: Fjern patronen fra stativet og drej patronen mod uret, indtil den er helt skruet af varmeren.
- FOR AT FJERNE BUTAN-/PROPANBLANDINGENS (G30+G31) PATRON: Fjern patronen fra stativet og drej patronen mod uret, indtil den er helt skruet af adapteren.
- Når først patronen er fjernet, så kan butanadapteren skrues af, drejes mod uret, indtil den er helt skruet af varmere
- Brug, opbevar eller fjern ikke patronen nær brandfarlige emner eller antændelseskilder. Skift kun patroner et godt ventileret sted, helst udendørs, væk fra enhver antændelseskilde såsom åben ild, tændflammer, elektriske gnister og væk fra andre mennesker.
- Propangas (G31) eller butan-/propanblandings (G30 + G31) patroner SKAL VÆRE KOBLET FRA VARMEREN, NÅR DEN IKKE ER I BRUG! Sørg for at kontrollere pakningerne, før der tilsluttes en ny gaspatron til apparatet.

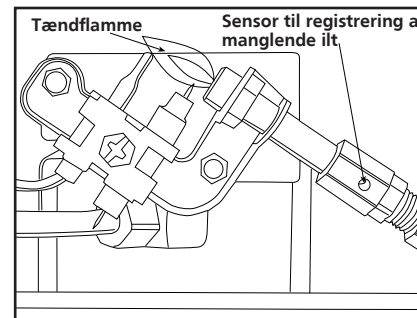
VEDLIGEHOLDELSE:

FORHOLDSREGLER, DER SKAL SKAL TAGES, NÅR APPARATET IKKE SKAL BRUGES EN VIS TID:

FORHOLDSREGLER, DER SKAL SKAL TAGES, NÅR APPARATET IKKE SKAL BRUGES EN VIS TID:

Hold altid området omkring varmeren ryddet og frit for brændbare materialer, benzin og andre brændbare dampe og væsker.

Når varmeren er afkølet, så opbevar den i en lynlåspose eller et andet lukket og støvfrit sted, når den ind imellem ikke bliver brugt.



Figur 6

Hold ventilationsområderne (slidser i bunden og i toppen på forsiden af varmeren) fri på alle tidspunkter.

Inspicér tændflammen og brænderen visuelt med jævne mellemrum under brugen. Tændflammen skal være blå i farven (ikke gul) og skal nå ud over termoelementet. Flammen vil omgive termoelementet lige under spidsen, se figur 6.

En lille, gul flamme kan dukke op der, hvor tændflammen og hovedbrænderflammen mødes. Brænderen skal være lys orange (en let blå farve omkring grænsen, en rød-orange tåge, som er synlig på den keramiske flise, er acceptabel) og uden en flamme, der bemærkes. En blå flamme, der ruller ud på toppen af den keramiske flise, indikerer en ophobning af støv, frug eller spindelvæv inde i afdækningen og hovedbrænderen. Hvis tændflammen er gul eller brænderen har en tydelig flamme, kan en rengøring være påkrævet. Brug følgende fremgangsmåde til at inspicere huset og hovedbrænderenheden.

Med jævne mellemrum er det nødvendigt kontrollere bræn-

deråbningen og venturirøret for at sikre, at de er fri for ting såsom insektræder eller spindelvæv, der kan ophobes med tiden. Et tilstoppet rør kan føre til brand.

- 1 Lad varmeren køle grundigt af, før der udføres nogen vedligeholdelse.
- 2 Fjern patronen fra varmeren eller SLUK for gasforsyningen på fjernpatronens ventil, og kobl slangen fra varmeren.
- 3 Fjern (4) fire skruer, der sikrer den bageste afdækning på varmeren.
- 4 Sving afdækningen udad fra bunden. Løsn den fra de 2 top-clips. Stil den til side.
- 5 Fjern brænderens (4) fire holdeskruer og brændstoflinjen fra selve brænderen. Fjern brænderenheden fra bagsiden af huset.
- 6 Inspicér det indre af huset for ophobning af støv, fnug eller spindelvæv. Hvis nødvendigt, rengøres det indre af huset med en støvsuger eller der bruges trykluft. Pas på ikke at beskadige nogen komponenter i huset, når der rengøres.
- 7 Inspicér og rens hovedbrænderens blænde (med gevind ind i blændeholderen). Blændeholderen er fastgjort til brænderhedens venturi med (2) to skruer.
- 8 Inspicér og rens pilotrøret (monteret på beslaget) ved hjælp af et vakuum eller brug lufttryk gennem hullerne i pilotrøret angivet med pilene i figur 6.
ADVARSEL: Brug aldrig brug nåle, ledninger eller lignende cylinderformede objekter til at rense pilotrøret for at undgå at beskadige den kalibrerede blænde, der styrer gas-flowet.
- 9 Blæs trykluft (maks. 30 psi) ind i den keramiske flise på brænderen og venturirøret (ref. emne #16) for at fjerne støv, fnug eller spindelvæv.
- 10 Saml hovedbrænderens blændeholder igen på brænderenheden.
- 11 Geninstallér brænderenheden ind i varmerens hus
- 12 Geninstallér brændstoflinjen og kontrollér for utætheder.
- 13 Installér varmerens bageste afdækning.

FEJLFINDINGSINFORMATION:

Hvis gnistelektroden ikke laver en gnist.

KONTROLLÉR

- Gnistelektrode brudt – udskift ODS (Sensor til registrering af manglende ilt).
- Tændkablet er eventuelt ikke fastgjort til gnistelektroden, jordledningen eventuelt ikke fastgjort til rammen – fastgør.
- Tændkabel beskadiget – udskift.
- Piezo-tænderen defekt – udskift gasventilen.

Hvis gnistelektroden ikke laver en gnist, men pilotrøret tænder ikke.

KONTROLLÉR

- Ingen gas til varmeren – installér engangspatron eller tilslut slangen og luk op for ventil på fjernpatron.

- Positionen "PILOT" er ikke justeret korrekt – drej gaskontrolknappen til positionen "PILOT" og tryk.
- Pilotrøret er blokeret fra spindelvæv eller snavs - rens pilotrøret, se VEDLIGEHOLDELSE.

Hvis tændflammen ikke forbliver tændt, når knappen slippes.

KONTROLLÉR

- Kontrolknappen i positionen "PILOT" ikke helt trykket helt ind eller ikke holdt inde længe nok til at rense luft fra linjerne.
- Tændflammen omgiver ikke termoelementet - rens pilotrøret, se VEDLIGEHOLDELSE.
- Pilotrøret defekt – udskift.
- Vippekontaktledning afbrudt – tilslut.

Hvis hovedbrænderen ikke tænder.

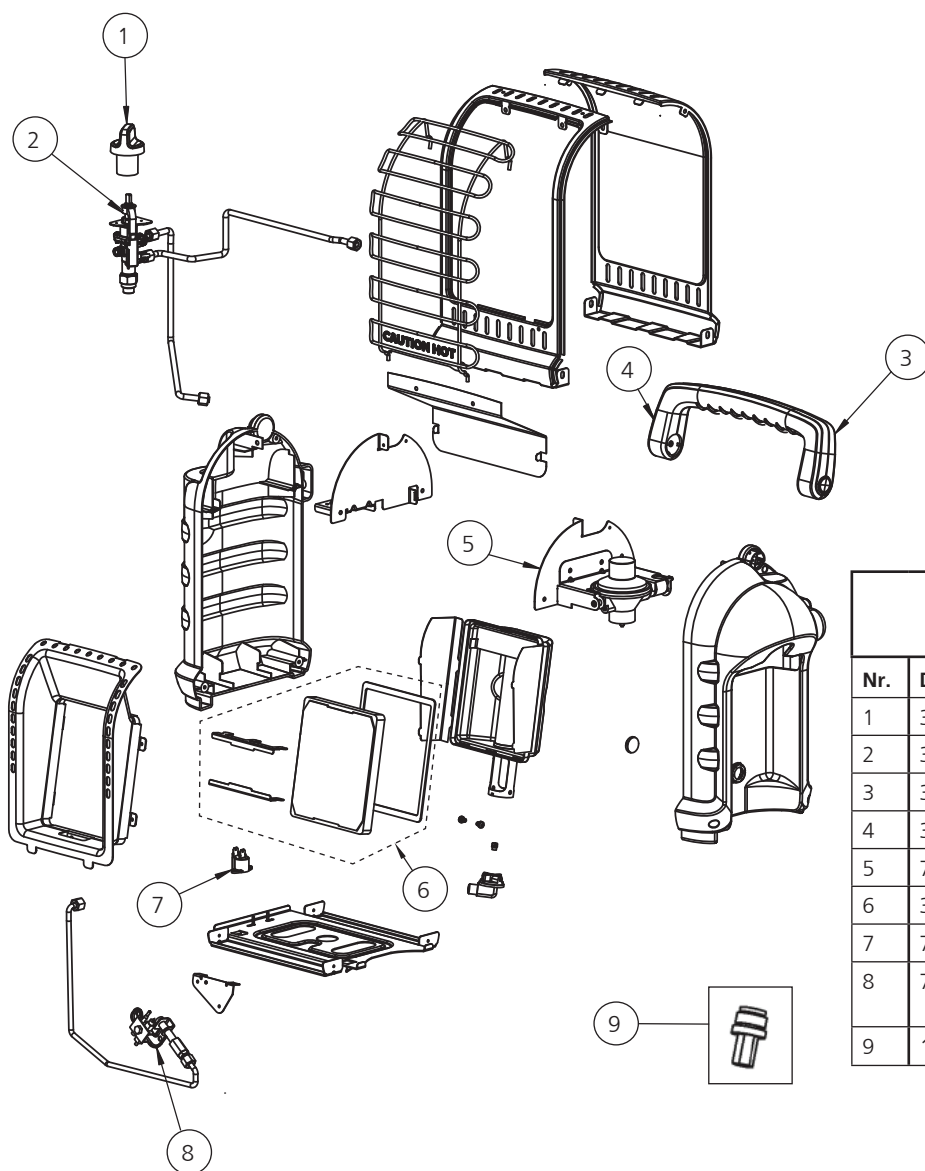
KONTROLLÉR

- Hovedbrænderens åbning er blokeret – rens brænderen, se VEDLIGEHOLDELSE.

Hvis varmeren bliver ved med at lukke NED under normal drift.

KONTROLLÉR

- Pilotrøret er blokeret – rens pilotrøret, se VEDLIGEHOLDELSE.
- Sørg for en friskluftåbning på mindst 9 kvadrattommer (15,24 kvadratcentimeter), (eksempelvis en 3" (7,62 cm) x 3" (7,62 cm) åbning).
- Vippekontakt aktiveret af et stød på varmeren. Tænd den igen.
- Regulatoren defekt – udskift regulatoren.
- Indvendig tilslutning – udskift kontrolventil og regulator.
- Ring til teknisk service for yderligere information.



**LISTE OVER
UDSKIFTNINGSDELE:**

Nr.	Del#	Beskrivelse
1	32017	Knap, ventil, sikkerhed, rød
2	32054	Ventil, enhed, kontrol
3	32015	Håndtag, bag, plast, grå
4	32014	Håndtag, front, plast, grå
5	75198	Enhed, regulator, m/støtte
6	33088	Flise, udskiftningssæt, H9BXDF
7	73403	Kontakt, vælteafbryder
8	73396	Sensor til registrering af manglende ilt, pilotrør, enhed
9	15164	Butanadapter

GODKENDT MR. HEATER TILBEHØR (sælges separat)

DEL #	BESKRIVELSE
32008	5 fod (1,52 m) PROPANSLANGESAMLING (drejelig 1"-20 han, engangs cyl.gevind X P.O.L. m./håndhjul) (anbefalet brug med brændstoffilter.)
F273699	Brændstoffilter (udskiftes årligt)



BETJENINGSINSTRUKTIONER OG BRUGERMANUAL

Model #
MH8BXDF



ADVARSEL:

BRUG KUN PRODUCENTENS RESERVEDELE. BRUG AF ANDRE DELE KAN FØRE TIL PERSONSKADE ELLER DØDSFALD. RESERVEDELE KAN KUN FÅS DIREKTE FRA FABRIKKEN OG SKAL INSTALLERES AF EN KVALIFICERET SERVICEVIRKSOMHED. MR. HEATER SLANGE 32008 ER SPECIELT DESIGNET TIL BRUG MED DENNE VARMER MED F273699 ENGANGSBRÆNDSTOFFILTER (UDSKIFTES ÅRLIGT). BRUG AF ANDRE SLANGER KAN FØRE TIL, AT VARMEREN IKKE KAN BRUGES.

INFORMATION OM BESTILLING AF DELE:

KØB: Tilbehør kan købes på www.mrheater.com og hos lokale forhandlere.

FOR INFORMATION VEDRØRENDE SERVICEBESØG: www.mrheater.com

Vores åbningstid er fra 8:00 til 17:00, EST, mandag til fredag.

Du kan chatte med en teknisk repræsentant via hjemmesiden: www.mrheater.com

Medtag venligst model nummer, købsdato, og en beskrivelse af problemet i al kommunikation.

BEGRÆNSET GARANTI

Mr. Heater, Inc. garanterer, at varmeapparater og tilbehør er fri for fejl i materiale og udførelse i en periode på 1 år fra købsdatoen. Mr. Heater, Inc. reparerer eller udskifter dette produkt uden omkostninger, hvis det har vist sig at få en defekt inden for tidsrammen på 1 år, og det returneres til forhandleren med købsbeviset inden for garantiperioden.

Mr. Heater, Inc. forbeholder sig retten til at lave ændringer til enhver tid, uden varsel eller forpligtelse, med hensyn til farver, specifikationer, tilbehør, materialer og modeller.

Sælges i følgende lande:



PRODUKTREGISTRERING: Tak for dit køb.

Log venligst ind på <http://www.egiregistration.com> for at registrere dit produkt.

MR. HEATER, INC., 4560 W. 160TH ST., CLEVELAND, OHIO 44135 USA • 800-251-0001
Mr. Heater og Portable Buddy er registrerede varemærker tilhørende Enerco Group, Inc.
© 2015, Enerco/Mr. Heater. Alle rettigheder forbeholdes.



BRUKSANVISNINGAR OCH ÄGARMANUAL



BÄRBAR BUDDY-STRÅLNINGSVÄRMARE

Modell #

MH8BXDF

VIKTIGT: Läs igenom instruktionerna noggrant och bekanta dig med anordningen innan du ansluter den till gasflaskan. Behåll instruktionerna för referens.



**ANVÄND ENBART
VÄRMAREN MED
EN GÄNGAD
FLASKA**



(1 pund (450 g) propangasflaska (G31) inkluderas inte)

BÄRBAR VÄRMARE FÖR PROPANGAS
(G31)/BUTAN-/PROPANBLANDNING
(G30 + G31) FÖR FRITIDSANVÄNDNING,
KOMMERSIELL ANVÄNDNING OCH
NÖDANVÄNDNING INOMHUS

SPRÅK SOM INKLUDERAS:

ENGELSKA, TYSKA, FRANSKA, ITALIENSKA, SPANSKA, NEDERLÄNDSKA, PORTUGISISKA, RYSKA, POLSKA, FINSKA, SVENSKA, NORSKA, DANSKA



(450g) flaska med butan-/propanblandning (G30+G31) inkluderas inte)

VARNING: Om du inte följer informationen i den här användarhandboken exakt kan en brand eller explosion uppstå vilket orsakar skada på egendom, personskada eller död.

- Förvara eller använd inte bensin eller andra brandfarliga ångor och vätskor i närheten av den här eller andra anordningar.
- En propanflaska (G31) eller flaska med butan-/propanblandning (G30+G31) som inte används får inte förvaras i närheten av den här eller andra anordningar.
- VAD GÖR JAG OM JAG KÄNNER LUFTEN AV GAS
 - Försök inte att tända anordningen.
 - Släck alla öppna lågor.
 - Stäng av gasen till anordningen.
- Underhåll får enbart utföras av kvalificerade underhållsfirmor.

Det här är en oventilerad och gaseldad bärbar gasvärmare. Den använder luft (syre) från området där den används. Lämplig förbrännings- och ventilationsluft måste finnas tillgänglig. Se sida 3.

VARNING:

- ⚠ Varje gång en tank ansluts till enheten måste anslutningen kontrolleras för eventuellt läckage på ett eller flera sätt: Använd tvålvatten på anslutningen, leta efter bubblor, lyssna efter utströmmande gas, känn om enheten är extremt kall eller om det luktar som ruttna ägg. Om din anordning har ett läckage (lukten av gas), ta den genast utomhus till ett välventilerat område, fritt från lågor, så att läckaget kan detekteras och stoppas. Kontrollera eventuellt läckage på anordningen utomhus. Detektera inte läckage med en flamma, använd tvålvatten. Det kan vara farligt om ändringar görs på värmaren eller dess kontroller. Modifiera INTE anordningen.

VARNING:

- ⚠ Tidiga tecken på kolmonoxidförgiftning påminner om influensa, med huvudvärk, yrsel och/eller illamående. Om du upplever dessa symtom kan det vara så att värmaren inte fungerar korrekt. Se genast till att få tillgång till frisk luft! Se till att värmaren undersöks.

VARNING:

- ⚠ Om fritidsutrymmet eller det kommersiella utrymmet saknar ett fönster eller en takventil kan du INTE ANVÄNDA DEN HÄR VÄRMAREN INOMHUS. Använd enbart på ett välventilerat område.

INNEHÅLLSFÖRTECKNING

Allmänna säkerhetsföreskrifter	2
Varning för att lukten försvagas	3
Allmän information	4
Används med engångspropanflaska	4
Används med en slang som är ansluten till fjärrflaskan	5
Underhåll.....	6
Felsökning	7
Artikellista.....	8
Orderinformation om delarna	9
Serviceinformation	9

SPECIFIKATIONER

MODELLNUMMER	MH8BXDF
GASTYP...Propangas (G31) såsom Coleman och 70/30 butan-/propangas (G30+G31) blandningar såsom Primus Power Gas	
INSPÄNNING BTU/HR.	4 000(1,17 KW) / 8 000(2,4 KW)
AVSTÅND TILL BRÄNNBARA FÖREMÅL	
TOPP.....	30"/76.2 cm
FRAMSIDA	24"/60.96 cm
SIDOR	6"/15.24 cm
BAKSIDA.....	0"

Varning:

- Vissa mattor eller linoleumytor kan missfärgas om värmaren placeras direkt på golvbeläggningarna.
- Värmaren kan komma att stängas av när den används 2133 meter över havsnivå. (Läs igenom ALLMÄN INFORMATION).

VARNING:

- Den här anordningen får enbart användas med ångtryckspropan 100 % (G31) och propan-/butanblandning 70/30 (G30+G31). Det kan vara farligt att försöka använda andra typer av gasflaskor.

ALLMÄNNA SÄKERHETSFÖRESKRIFTER

DET HÄR ÄR EN VÄRMARE. ANVÄND INTE DEN HÄR ANORDNINGEN FÖRRÄN DU HAR INSTALLERAT DET FRÄMRE SKYDDSGALLRET. FÖRSÖK INTE ATT VÄRMA UPP ELLER LAGA MAT PÅ DEN HÄR VÄRMAREN.

- Använd inte tillbehör som inte har godkänts. Modifiera INTE anordningen.
- P.g.a. höga temperaturer måste anordningen placeras undan från trafik och brännbart material. (Se SPECIFIKATIONER)
- **VARNING:** Tillgängliga delar kan bli väldigt heta. Håll barn borta från anordningen Barn och vuxna bör informeras om farorna med höga yttemperaturer och bör hålla sig undan för att undvika brännskador eller antändning av kläderna.
- Unga barn bör övervakas noggrant när de befinner sig i närheten av anordningen.
- Placera inte kläder eller brännbart material på, eller i närheten av, anordningen.
- Använd inte värmaren i fordon som rör på sig såsom husbilar och husvagnar. Använd inte i höghuslägenheter, källare, toaletter eller sovrum.
- Den här värmaren kan också användas i fritidsutrymmen eller kommersiella utrymmen som har tak eller takventil. Den kan även användas utomhus.
- Den här värmaren behöver en välventilerad plats som är minst 9 kvadrattum (22.86 cm²) (exempel 3"/7.62 cm x 3"/7.62 cm öppning) för lämplig ventilation i enlighet med gällande lagar om tillgång till förbränningsluft. Använd inte andra bränsleförbränningsanordningar inomhus.
- **GASTRYCKET PÅ VÄRMAREN ÄR REGLERAT OCH SATT PÅ 11" W.C.(27.4 millibar). REGLERA ELLER REDUCERA INTE SYSTEMRYCKET PÅ PROPANFLASKAN (G31) ELLER FLASKAN FÖR BUTAN-/PROPANBLANDNING (G30+G31) FÖR VÄRMAREN!**
- **VÄRMARENS REGULATOR MÅSTE ALLTID VARA PÅ PLATS UNDER DRIFT.**
- Om skyddsgallret avlägsnas för underhåll måste det ersättas innan värmaren används.
- Anordningen måste inspekteras innan varje användning. Regelbunden rengöring kan behövas. Anordningens kontrollutrymmen, brännare och passage för

- cirkulationsluft måste hållas rena, se UNDERHÅLL.
- ANVÄND INTE den här värmaren om någon del har varit under vatten. Ring omedelbart en kvalificerad servicetekniker för att inspektera värmaren och ersätt de delar av kontrollsystemet och gaskontrollerna som har varit under vatten.
 - När anordningen används utan tillräcklig förbrännings- och ventilationsluft kan värmaren ge ut stora mängder av KOLMONOXID, en giftig gas utan lukt.
 - Vissa personer - gravida kvinnor, personer med hjärt- eller lungsjukdomar, anemi, personer som är alkoholpåverkade, personer som befinner sig på hög höjd - påverkas mer av kolmonoxid än andra.
 - När värmaren placeras på marken måste du se till att marken är jämn och alla föremål bör åtminstone befinna sig 24 tum (60.96 cm) från värmarens framsida. FLYTTA INTE ANORDNINGEN NÄR DEN ANVÄNDS. STÖTAR KAN AKTIVERA "TIP-OVER"-SÄKERHETSENHETEN. LÄMNA INTE VÄRMAREN OBEMANNAD ELLER I NÄRHETEN AV BARN SOM KAN FÅ VÄRMAREN ATT TIPPA ÖVER. ANVÄND ALDRIG VÄRMAREN NÄR DU SOVER!

VARNING FÖR ATT LUKTEN KAN FÖRSVAGAS

VARNING

Kvävningsskada

- Använd inte på oventilerade områden.
- Förbrännings- och ventilationsluften får inte blockeras.
- Tillräckligt med ventilationsluft måste förses för att tillfredsställa behoven för värmarens förbränningsluft.
- Se manualens specifikationsavsnitt, värmarens typskylt eller kontakta fabriken för att ta reda på vilka kraven är för värmarens ventilationskrav för förbränningsluft.
- Avsaknad av tillräcklig ventilationsluft leder till olämplig förbränning.
- Olämplig förbränning kan leda till kolmonoxidförgiftning som leder till allvarlig skada eller död. Symptom för kolmonoxidförgiftning kan vara huvudvärk, yrsel och andningssvårigheter

GASBRÄNSLELUKT

Propangas (G31) och gas från butan-/propanblandning (G30+G31) har konstgjorda lukter för att upptäcka gasbränsleläckage. Om läckage uppstår bör du kunna känna lukten av gasbränslet. Eftersom propan (G31) väger mer än luft bör du känna doften av gas nedåt mot golvet. GASLUKTEN ÄR DIN SIGNAL FÖR ATT AGERA OMEDELBART!

- Vidta inte några åtgärder som kan antända gasbränslet. Använd inte några elektriska brytare. Dra inte ut eltillförsel eller skarvsladdar. Tänd inte några tändstickor eller andra antändningskällor. Använd inte din telefon.
- Få omedelbart ut alla ur byggnaden och området.
- Stäng alla ventiler för bränsletillförsel till alla gastankar eller propangasflaskor (G31), eller huvudventilen för bränsletillförseln som är placerad på mätaren om du använder naturgas.

- Propangas (G31) är tyngre än luft och kan slå sig ner på lägre ytor. Om du misstänker ett propanläckage, håll borta från alla lägre ytor.
- Använd din grannes telefon och ring din gasbränsleleverantör och brandkåren. Gå inte in i byggnaden eller området igen.
- Håll dig borta från byggnaden och området tills det anses säkert av brandmännen och din gasbränsleleverantör.
- TILL SIST, låt servicepersonal för gasbränslet och brandmännen leta efter utströmmande gas. Se till att de luftar ut byggnaden och området innan du återvänder. Korrekt utbildad servicepersonal måste reparera eventuella läckage, leta efter andra läckage och sedan starta om anordningen.

LUKTEN FÖRSVAGAS - INGEN LUKT UPPTÄCKS

- Vissa personer saknar ett bra luktsinne. Vissa personer känner inte lukten av konstgjorda kemikalier som har lagts till propangasen (G31). Du måste veta om du kan känna lukten av dessa bränslegaser.
- Lär dig att känna igen lukten av propangas (G31). Lokala handlare av propangas (G31) kommer gladeligen att förse dig med en skrapa-och-lukta-broschyr. Använd den för att bekanta dig med bränslegasens lukt.
- Rökning kan försämra ditt luktsinne. Om du spenderar tid runt en viss lukt kan detta påverka din känslighet för en särskild lukt. Lukter som finns närvarande i byggnader för djur kan dölja gaslukten.
- **Luktämnet i propangas (G31) saknar färg och intensiteten av dess lukt kan avta under vissa omständigheter.**
- Om det är ett underjordsläckage kan gasens rörelse genom jorden filtrera luktämnet.
- Propangasens (G31) lukt kan skilja sig i intensitet på olika nivåer. Eftersom propangas (G31) väger mer än luft kan det finnas starkare lukter på lägre nivåer.
- **Var alltid extra uppmärksam över minsta gaslukt.** Om du fortsätter att upptäcka gaslukter, oavsett hur stark, behandla den som ett allvarligt läckage. Agera omedelbart såsom förklaras ovan.

VIKTIGT - VÄRDEFULLA PUNKTER ATT KOMMA IHÅG!

- Propangas (G31) eller butan-/propanblandning (G30+G31) har en utmärkande lukt. Lär dig att uppmärksamma dessa lukter. (Se avsnitten Gasbränslelukt och Lukten försvagas, ovan)
- Även om du inte är utbildad att underhålla och reparera värmaren bör du ALLTID uppmärksamma lukten från propangas (G31) och naturgas.
- Om du inte är utbildad att reparera och underhålla propangas (G31) eller butan-/propanblandning (G30+G31) bör du inte försöka att starta värmaren, underhålla, reparera eller göra några ändringar på värmaren, på gasbränslesystem med propan (G31) eller butan-/propanblandning (G30+G31).
- Att göra återkommande lukttest runt värmaren eller värmarens fogar; d.v.s. slang, anslutningar etc., är alltid väldigt bra säkerhetspraxis. KONTAKTA OMEDELBART DIN LEVERANTÖR AV GASBRÄNSLE om du känner minsta lukt av gas. VÄNTA INTE!

ALLMÄN INFORMATION:

- Den här värmaren kan användas inomhus, i mindre fritidsutrymmen som kan möjliggöra förbränningsluft och ventilation, såsom tält, kabiner, fiskestugor och slutna verandor. Den kan användas inomhus för nöduppvärmning om den är ansluten till en 465 grams engångspropanflaska (G31) ELLER 450 grams flaska med butan-/propanblandning (G30+G31), och kan användas inomhus i kommersiella utrymmen som möjliggör förbränningsluft och ventilation, såsom konstruktionsvagnar eller tillfälliga arbetsplatser.
- Obs: Värmaren kan användas utomhus men kan komma att stängas av olägligt p.g.a. särskilda vindtillstånd.
- När värmaren är kall eller i rumstemperatur tar det några minuter för brännarens platta att bli ljusorange. Detta är vanligt och värmaren fungerar som den ska. Om brännarens platta är flammande bör du stänga av värmaren och ringa en kvalificerad servicetekniker.
- När enheten är tänd bör det finnas en kvarts tum (1/4"- .635 cm) utrymme runt kaklet som inte kommer att bli ljusorange. Detta är normalt.
- När du använder värmaren för första gången kan den översta delen av reflektorn missfärgas. Detta är vanligt och du behöver inte oroa dig.
- När du använder värmaren 2133 m över havsnivå kommer enheten eventuellt inte att brinna lika ljust som på lägre höjder. Detta är normalt. På högre höjder stängs värmaren eventuellt av. Om detta inträffar bör du förse den med frisk luft och vänta i 5 minuter innan du tänder den igen. P.g.a. lokala atmosfäriska villkor kommer värmaren eventuellt inte att tändas igen.
- Driftstiden varierar beroende på värmarens inställningar och storleken på tillförselaskan. • Upp till 3 till 6 timmar med en 465 grams propanflaska (G31) eller 3 till 6 timmar med en 450 grams 70/30 flaska med butan-/propanblandning (G30+G31). Upp till 48 till 110 timmar med en 5-kilosflaska (baserade på "HI"- och "LO"-inställningar). P.g.a. propangasens (G31) egenskaper kan körtiden ibland reduceras kraftigt när den används oavbrutet i temperaturer under 20 F (-7 Celsius).
- Den här värmaren är utrustad med en säkerhetsbrytare mot att tippa över. Olägliga avstängningar kan inträffa om enheten stöts till eller flyttas. Tänd värmaren igen om detta inträffar.
- P.g.a. de mindre tankarnas naturliga drift kan tanken kondenseras och droppa ned på ytan under värmaren. Ibland kan denna kondensering frysa p.g.a. den extrema kylan som orsakas när propangasen (G31) avdunstar. Detta är vanligt och du behöver inte oroa dig.


TÄNDNING / BRUKSANVISNINGAR FÖR ANVÄNDNING MED EN 465 grams ENGÅNGS- PROPANFLASKA (G31) ELLER EN 450 grams 70/30 FLASKA MED BUTAN/PROPANBLANDNING (G30+G31):

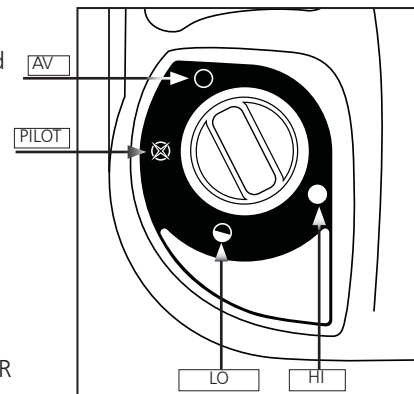
VARNING: Kontrollera alltid att det inte finns damm, smuts och avlagringar på värmarens propanflaska och anslutningar för propan/butan innan du sätter fast propanflaskan. Använd inte om toppen av flaskan är skadad, punkterad eller försämrad.

SÄTT ALLTID FAST ELLER FRIGÖR FLASKAN UTOMHUS UN DAN FRÅN LÅGOR, ANDRA ANTÄNDNINGSKÄLLOR OCH ENBART NÄR VÄRMAREN ÄR KALL NOG ATT VIDRÖRA. RÖK ALDRIG NÄR DU SÄTTER FAST ELLER FRIGÖR PROPANFLASKAN ELLER VID FJÄRRANSLUTNINGAR.

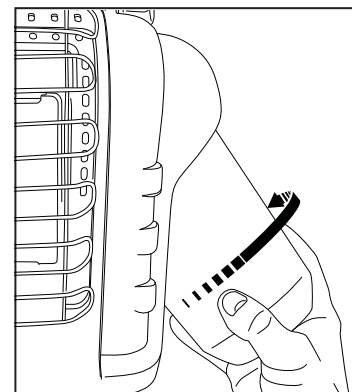
- Använd 16.4 oz. (1 lb./465 g) engångspropanflaskor som paras ihop med nr 600 ventilanslutningar eller butan-/propanblandningar (70/30) (G30+G31) som är gängade med 7/16-28 ENEF-2B.

- Kontrollera att tätningarna (mellan anordningen och gasflaskan) är på plats och i gott skick innan du ansluter gasflaskan. Figur 4. Använd inte en anordning som har skadade eller slitna tätningar. Använd inte en anordning med läckage, som är skadad eller som inte fungerar ordentligt.

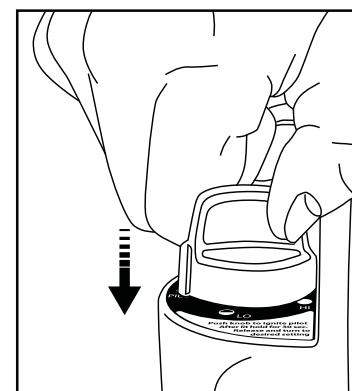
- Se till att reglagevredet är i "OFF"-läge : se figur 1.
- Användning med propan: Snurra regulatorn utåt för att göra det lättare att installera tanken. Skruva 465 grams engångspropanflaskan medsols (från botten) på den bärbara värmaren tills den sitter åt; se figur 2. ANVÄND INTE gängat tätningsmaterial på den här anslutningen.
- Användning med butan-/propanblandning (G30+G31): Skruva mässingsadaptern medsols på den bärbara



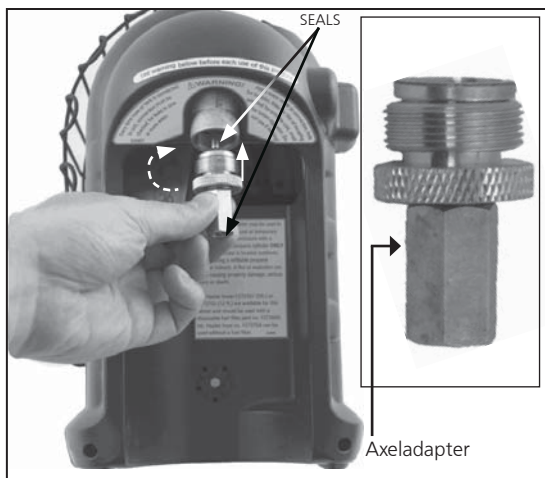
Figur 1: Reglagevredet



Figur 2: Sätt fast bränsletanken




Figur 3: "Butanadapter"



Figur 4: "Butanadapter"

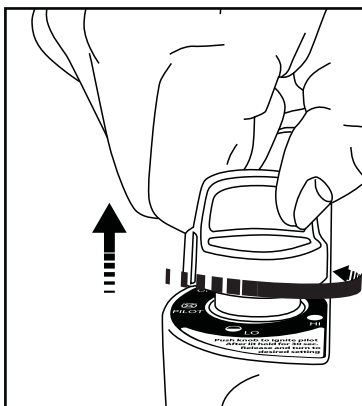
värmeregulatorn (från botten) tills den sitter åt. Se figur 4. Använd inte gängat tätningsmaterial på den här anslutningen. Skruva flaskan för butan-/propanblandningen (G30+G31) på adaptern (medsols) och så fort axeln på adaptern börjar vridas är flaskan ansluten. Montera sedan flaskan på stället.

- Kontrollera om det finns läckage på adapter- och flaskanslutningarna med tvålvatten, på den gängade anslutningen under det välvda plastskyddet där flaskan skruvas på regulatorn. SE VARNING! PÅ DET VÄLVDA PLASTSKYDDET.


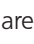
- Vrid reglagevredet motsols till "PILOT"-läget  och håll nedtryckt för att starta; se figur 1 och figur 3.

- Om värmaren inte startar; håll nedtryckt i ungefär 30 sekunder; släpp och håll ner igen. Upprepa tills piloten tänds.



- När pilotlågan tänds, håll ner i 30-60 sekunder och släpp sedan vredet.






Figur 5: "Släpp vredet".

Vredet bör återgå till fullt utsträckt läge; för att använda värmaren, tryck ner vredet lätt och sväng försiktigt för att låsa i "HI"-läget  för att tända brännarens platta. Lämna på "HI"-läget  tills brännarens platta är ljusorange. Figur 5

OBS! Uppflamningar är vanliga när anordningen tänds för första gången. Håll ditt ansikte och brännbara föremål borta från anordningen.

- Efter att brännarens plattan har blivit ljusorange, justera värmen genom att vrida reglagevredet till önskat läge ("LO"  eller "HI" -inställning) Figur 1.

Varning:

ANVÄND INTE VÄRMAREN OM INTE REGLAGEVREDET ÄR LÅST I "HI" , "LO"  ELLER "PILOT"  LÄGE. LÅT ALDRIG VREDET VARA MELLAN LÅSTA LÄGEN. DETTA KAN RESULTERA I DÅLIG FÖRBRÄNNING OCH HÖGA KOLMONOXIDNIVÅER.

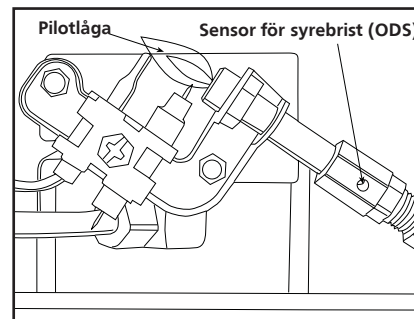
- För att stänga av värmaren, tryck ner reglagevredet lätt

och vrid det medsols till "OFF"  läget.

- VARNING: Tillgängliga delar kan bli väldigt heta. Skyddet på den här anordningen motverkar risk för brand eller skada och inga delar bör avlägsnas permanent. NOTERA ATT DET INTE ÄR ETT FULLSTÄNDIGT SKYDD FÖR BARN ELLER HANDIKAPPADE. Kyl ned ordentligt innan förvaring.
- Vrid vredet till "OFF"  läge. Kontrollera att brännarna har släckts innan du kopplar ifrån gasflaskan.
- AVLÄGSNING AV PROPANFLASKAN (G31): Avlägsna flaskan från stället och vrid den motsols tills den har skruvats av helt från värmaren.
- AVLÄGSNING AV FLASKA MED BUTAN-/PROPANBLANDNING (G30+G31): Avlägsna flaskan från stället och vrid den motsols tills den har skruvats av helt från adaptern.
- När flaskan har avlägsnats kan butanadaptern skruvas loss motsols tills den har skruvats loss helt från värmaren.
- Använd, förvara eller avlägsna inte flaskan i närheten av brännbara föremål eller antändningskällor. Byt enbart ut flaskorna på en välventilerad plats, helst utomhus, undan från antändningskällor såsom öppen eld, piloter, elektriska eldar och andra människor.
- Propangasflaskor (G31) eller flaskor med butan-/propanblandning (G30+G31) MÅSTE KOPPLAS IFRÅN VÄRMAREN NÄR DEN INTE ANVÄNDS! Se till att du kontrollerar tätningarna innan du ansluter en ny gasflaska till anordningen.

UNDERHÅLL:

DU MÅSTE VARA FÖRSIKTIG OM ANORDNINGEN INTE HAR ANVÄNTS UNDER EN PERIOD:



Figur 6

Se alltid till att det inte finns brännbart material, bensin eller andra brännbara ångor och vätskor i närheten av värmaren.

Förvara värmaren, när den har kylts ned, i en väska med blixtlås eller andra förseglade dammfria platser mellan användningarna.

Håll alltid ventilationsområdena (slitsarna på värmarens över- och underdel) rengjorda.

Inspektera tändlågan och brännaren regelbundet vid användning. Pilotlågan bör vara blå (inte gul) och kommer att sträcka sig bortom termoomkopplaren. Lågan kommer att omringa termoomkopplaren precis under munstycket, se figur 6.

En lätt gul låga kan uppstå när tändlågan och lågan från huvudbrännaren möts. Brännaren bör vara ljusorange (lätt blå färg runt gränsen och rödororange imma som syns på keramikplattan är acceptabelt) och utan en märkbar låga. En blå låga som kommer ut från toppen på keramikplattan förklarar att damm, ludd eller spindelnät har ackumulerats på insidan av höljet och huvudbrännaren. Om piloten är gul eller om brännaren har en märkbar låga behöver den

rengöras. Så här inspekterar du höljet och huvudbrännaren. Det är nödvändigt att undersöka brännarens mynning och venturibrännaren regelbundet för att se till att det inte finns några insektsbon eller spindelnät som kan ha ackumulerats under tid. Om ett rör är tilltäppt kan detta leda till en brand.

- 1 Kyl ned värmaren helt innan du utför något underhållsarbete.
- 2 Avlägsna patronen från värmaren eller stäng AV gastillförseln vid fjärrflaskans ventil och koppla ifrån slangen från värmaren.
- 3 Avlägsna de (4) fyra skruvarna som säkerställer baksidans skydd till värmaren.
- 4 Sväng skyddet utåt från botten. Frigör från de 2 övre klämmorna. Lägg åt sidan.
- 5 Avlägsna brännarens (4) fyra låsskruvar och bränslelinje. Avlägsna brännaren från höljets baksida.
- 6 Se till att det inte finns damm, ludd eller spindelnät på insidan av höljet. Rengör, vid behov, insidan av höljet med en dammsugare eller med tryckluft. Skada inte några delar av höljet under rengöringen.
- 7 Undersök och rengör huvudbrännarens mynning (gångad på mynningshållaren). Mynninghållaren sitter fast på brännarens venturi med (2) två skruvar.
- 8 Undersök och rengör piloten (monterad på hållaren) med en dammsugare eller lufttryck genom pilotens hål som visas av pilarna i figur 6. **VARNING:** Använd aldrig nålar, trådar eller liknande cylindriska föremål för att rengöra piloten och undvik att skada den kalibrerade mynningen som kontrollerar gasflödet.
- 9 Använd tryckluft (max 30 psi) på brännarens keramikplattor och venturirör (ref. föremål 16) för att avlägsna damm, ludd eller spindelnät.
- 10 Återmontera huvudbrännarens mynningshållare på brännaren.
- 11 Ominstallera brännaren på värmarens hölje
- 12 Ominstallera bränslelinjen och kontrollera om det finns läckage.
- 13 Installera värmarens baksida..

FELSÖKNINGSINFORMATION:

Om gnistelektroden inte producerar en gnista.

KONTROLLERA

- Gnistelektroden är trasig – ersätt ODS (sensor för syrebrist).
- Tändkabeln är eventuellt inte fastsatt på gnistelektroden, jordledaren är eventuellt inte fastsatt på ramen - sätt fast.
- Tändkabeln är skadad – ersätt.
- Piezotändaren är felaktig – ersätt gasventilen.

Om gnistelektroden skapar en låga men piloten inte tänds.

KONTROLLERA

- Ingen gas till värmaren – installera engångsflaskan eller anslut slangen och sätt på ventilen på fjärrflaskan.

- "PILOT"-läget är inte korrekt justerat – sätt reglagevredet för gas i "PILOT"-läget och tryck ner.
- Piloten blockeras av spindelnät eller smuts – rengör piloten, se UNDERHÅLL.

Om pilotlågan inte förblir tänd när vredet frisläpps.

KONTROLLERA

- Kontrollera att vredet i "PILOT"-läget inte hålls helt nedtryckt eller hålls ned så länge att luften rensas ut från ledningarna.
- Pilotlågan omringar inte termoomkopplaren – rengör pilot, se UNDERHÅLL.
- Pilotenheten är felaktig – ersätt.
- Munstyckets brytarkablar är fränkopplade – anslut.

Om huvudbrännaren inte tänds.

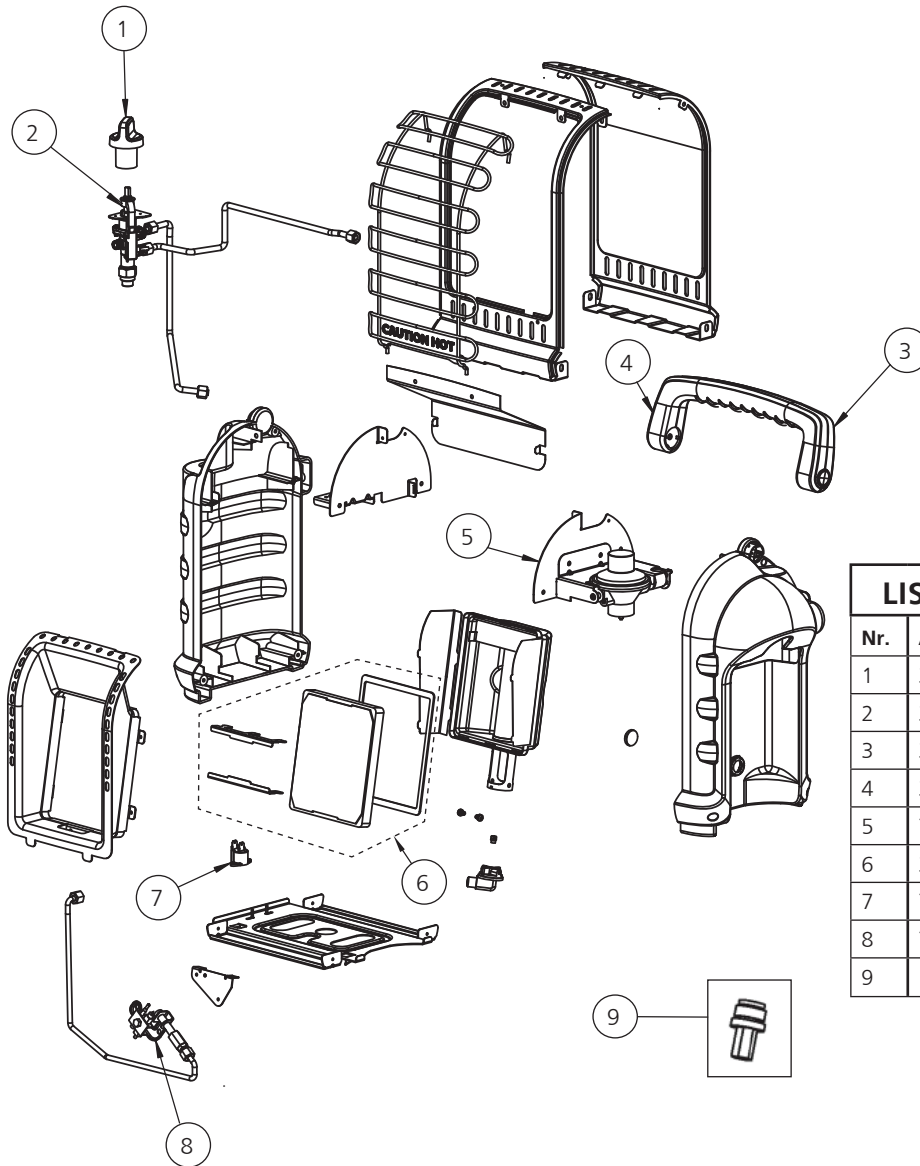
KONTROLLERA

- Huvudbrännarens mynning är blockerad – rengör brännaren, se UNDERHÅLL.

Om värmaren fortsätter att stängas "AV" under vanlig drift.

KONTROLLERA

- Piloten är blockerad – rengör pilot, se UNDERHÅLL.
- Se till att det finns en öppning för frisk luft som minst är 9 kvadrattum (15,24 kvadratcentimeter), (exempel 3" (7,62 cm) x 3" (7,62 cm) öppning).
- "Tip over"-brytaren är aktiverad från att stöta värmaren. Tänd igen
- Regulatorn är felaktig- ersätt regulatorn.
- Intern förorening- ersätt reglerventilen och regulatorn.
- Ring tekniskt stöd för mer information.



LISTA ÖVER RESERVDELAR:

Nr.	Art#	Beskrivning
1	32017	Vrede, Ventil, Säkerhet, Röd
2	32054	Ventil, Enhet, Reglage
3	32015	Handtag, Baksida, Plast, Grå
4	32014	Handtag, Framsida, Plast, Grå
5	75198	Enhet, Regulator med stöd
6	33088	Kakel, Ersättningskit, H9BXDF
7	73403	Strömbrytare, "Tipover"
8	73396	ODS, Pilot, Enhet
9	15164	Butanadapter

GODKÄNDA MR. HEATER-TILLBEHÖR (säljs separat)

FÖREMÅL #	BESKRIVNING
32008	5 ft. (1,52 m) PROPANSLANG (svivel 1"-20 M engångscylander. Thd. X P.O.L. m/handhjul) (Rekommenderas att användas med bränslefilter.)
F273699	Bränslefilter (byt ut årligen)



BRUKSANVISNINGAR OCH ÄGARMANUAL

Modell #
MH8BXDF



VARNING:

ANVÄND ENBART TILLVERKARENS RESERVDELAR. ANVÄNDNING AV ANDRA DELAR KAN ORSAKA SKADA ELLER DÖD. RESERVDELAR ÄR ENBART TILLGÄNGLIGA DIREKT FRÅN FABRIKEN OCH MÅSTE INSTALLERAS AV KVALIFICERAD UNDERHÅLLSFIRMA. MR. HEATER-SLANG 32008 ÄR SÄRSKILT UTFORMAD ATT ANVÄNDAS MED DEN HÄR VÄRMAREN TILLSAMMANS MED F273699- ENGÅNGSBRÄNSSELFILTRET (BYT UT ÅRLIGEN). ANVÄNDNING AV ANDRA SLANGAR KAN GÖRA VÄRMAREN INOPERABEL.

ORDERINFORMATION OM DELARNA:

INKÖP: Tillbehör kan köpas på www.mrheater.com och av lokala handlare
FÖR INFORMATION OM UNDERHÅLL, BESÖK: www.mrheater.com

Våra kontorstider är 08.00-17.00, måndag till fredag.

Du kan chatta med våra tekniska representanter på webbsidan: www.mrheater.com

Ange modellnummer, datum för inköp och problembeskrivning i all kommunikation.

BEGRÄNSAD GARANTI

Mr Heater, Inc garanterar värmare och tillbehör för materiella fel och utförandedefekter under en 1-års period från inköpsdatumet. Mr. Heater, Inc. kommer att reparera eller ersätta den här produkten gratis om den bevisligen är felaktig, inom en 1-års period, och returneras till återförsäljaren med inköpsbevis inom garantiperioden.

Mr. Heater, Inc. förbehåller sig rätten att när som helst göra ändringar, utan förvarning eller förpliktelser, i färger, specifikationer, tillbehör, material och modeller.

Säljs i följande länder:



PRODUKTREGISTRERING: Tack för ditt köp.
Gå till <http://www.egiregistration.com> för att registrera din produkt.

MR. HEATER, INC., 4560 W. 160TH ST., CLEVELAND, OHIO 44135 USA • 800-251-0001
Mr. Heater och Portable Buddy är registrerade varumärken som tillhör Enerco Group, Inc.
© 2015, Enerco/Mr. Heater. Med ensamrätt.



KÄYTTÖOHJEET JA KÄYTTÖOPAS



PORTABLE BUDDY SÄTEILYLÄMMITIN

Malli #

MH8BXDF

TÄRKEÄÄ: Lue tämä käyttöohje huolellisesti, jotta tutustut laitteeseen, ennen sen liittämistä kaasupatruunaan. Pidä nämä ohjeet myöhempää käyttöä varten.



**KÄYTÄ LÄMMITTI-
MESSÄ AINOASTAAN
KIERRETTÄVIÄ
PATRUUNOITA**



1 pauna (450 g) propaanikaasua (G31) patruuna ei sisälly toimitukseen

KANNETTAVA PROPAANI (G31)/
BUTAANI/PROPAANI SEOS (G30 + G31)
KAASULÄMMITIN VIRKISTYS-, KAUPPA-
JA HÄTÄTILANTEIDEN SISÄKÄYTTÖÖN

KIELET:

ENGLANTI, SAKSA, RANSKA, ITALIA, ESPANJA, HOLLANTI,
PORTUGALI, VENÄJÄ, PUOLA, SUOMI, RUOTSI, NORJA, TANSKA



(450 g) butaani/propaani seoskaasua (G30+G31) patruuna ei sisälly toimitukseen

VAROITUS: Jos tätä opasta ei ole noudatettu tarkasti, tulipalon tai räjähdysen seurauksena voi aiheutua omaisuusvahinkoja, henkilövahinkoja tai kuolema.

- Älä säilytä tai käytä bensiiniä tai muita palavia höyryjä ja nesteitä, tämän tai minkä tahansa muun laitteen läheisyydessä.
- Propaani (G31) tai butaani/propaani seos (G30+G31) patruunaa jota ei ole liitetty tuotteeseen, ei saa varastoida lähellä tätä tai muuta laitetta.
- MITÄ SINUN TULEE TEHDÄ MIKÄLI HAISTAT KAASUN HAJUN
 - Älä yritä sytyttää laitetta.
 - Sammuta kaikki avotulet.
 - Sammuta laitteen kaasu.
- Huollon saa ruottaa vain asiantunteva huoltohenkilö.

Tämä laite on umpinainen kaasukäyttöinen kannettava lämmitin. Se käyttää ilmaa (happea) alueelta jossa sitä käytetään. Sinun tulee varmistaa riittävä tuuletus ja palotila laitetta käytettäessä. Lisätietoja on sivulla 3.

VAROITUS:

⚠ Joka kerta, kun säiliö on liitetty laitteeseen, mahdolliset vuodot on tarkastettava yhdellä tai useammalla tavalla: Laita saippuavettä liitännään, etsi kuplia, kuuntelee kaasun sähinää, kokeile mikäli tunnet kylmää ilmaa tai jos haistat mädän kananmunan hajun. Mikäli laitteessa esiintyy vuotoja (kaasun haju), vie laite ulos välittömästi hyvin ilmastoituun paikkaan jossa ei ole lähellä tulta, jossa voit tutkia vuotoa tarkemmin ja paikata sen Jos haluat varmistaa, onko laitteessa vuoto, tee niin ulkotiloissa Älä yritä tunnistaa vuotoa käyttämällä liekkiä, vaan käyttämällä saippuavettä. Kaikki tähän lämmittimeen tehdyt muutokset voivat olla vaarallisia. ÄLÄ muokkaa laitetta.

VAROITUS:

⚠ Varhaiset merkit kaasumyrkytyksestä muistuttavat flunssaa, päänsärkyä, huimausta ja/tai pahoinvointia. Jos sinulla on näitä oireita, lämmitin ei ehkä toimi oikein. Hankkiudu raittiiseen ilmaan! Lämmitin on huolettava.

VAROITUS:

⚠ JOS virkistys- tai kauppapaikassa ei ole ikkunaa tai kattoluukkua, ÄLÄ KÄYTÄ TÄTÄ LAITETTA SISÄLLÄ! Käytä vain hyvin tuuletetussa tilassa.

SISÄLTÖ

Yleiset turvallisuusohjeet	2
Hajun varoitus	3
Yleistiedot	4
Kertakäyttöisten propaanipatruunoiden käyttö	4
Käyttö letkun kanssa joka on liitetty erilliseen patruunaan ...	5
Huolto	6
Vianmääritys	7
Osaluettelo	8
Osien tilaustiedot	9
Huoltotiedot	9

TEKNISET TIEDOT

MALLINRO.	MH8BXDF
KAASUN TYYPPI...Propaani (G31) kaasun kuten Coleman ja 70/30 butaani/propaani (G30+G31) kaasuseokset kuten Primus Power Gas.	
SISÄÄNTULO BTU/h.	4,000(1.17 KW) / 8,000(2.4 KW)
SVÄLYS TULENARKOIHIN AINEISIIN	
YLÄOSA	30"/76.2 cm
ETUOSA	24"/60.96 cm
SIVUT	6"/15.24 cm
TAKAOSA	0"

Varoitukset:

- Jotkin matot tai linoleumipinnat voivat värjäytyä, jos lämmitin on asetettu suoraan näiden lattianpäällysteiden päälle.
- Kun käytät lämmitintä yli 7,000 jalan (2.13 km) korkeudessa merenpinnan yläpuolella, yksikkö saattaa sammuttaa itsensä. (Lue YLEISTIEDOT).

VAROITUS:

- Tätä laitetta on käytettävä vain hyörymäisen propaanin 100 % (G31) tai butaani/propaani seoksen 70/30 (G30+G31) polttoaineiden kanssa. Voi olla vaarallista yrittää käyttää muita kaasupatruunoita.

YLEISET TURVALLISUUSOHJEET

TÄMÄ ON LÄMMITYSLAITE. YRITÄ KÄYTTÄÄ TÄTÄ LAITETTA ILMAN ETUSUOJAA. ÄLÄ LÄMMITÄ TAI KEITÄ RUOKIA TÄMÄN AVULLA.

- Älä käytä hyväksymättömiä lisälaitteita tässä lämmittimessä. Älä muokkaa laitetta.
- Johtuen korkeasta lämpötilasta, laite on sijoitettava kauas liikenteestä ja syttyvistä aineista. (ks. TEKNISET TIEDOT)
- VAROITUS: jotkin laitteet osat voivat olla hyvin kuumia. Lasten ja aikuisten tulee olla varuillaan korkeasta pintalämpötilasta ja pysyä kaukana laitteesta välttääkseen palovammoja ja vaatteiden syttymistä.
- Lapsia on valvottava tarkasti, jos he ovat lähellä laitetta.
- Älä aseta vaatteita tai muita helposti syttyviä materiaaleja lähellä laitetta.
- Älä käytä lämmitintä liikkuvassa ajoneuvossa kuten asuntovaunussa tai karavaanarissa. Älä käytä kerrostalossa, kellarissa, kylpyhuoneessa tai makuuhuoneessa.
- Tätä lämmitintä voidaan käyttää myös virkistys- tai kaupallisessa tilassa jossa on ikkuna tai kattoluukku Sitä voidaan käyttää myös sisätiloissa.
- Tämä lämmitin vaatii 9 neliötuuman hyvin ilmastoidun alueen (22.86 cm²) (esimerkiksi 3"/7.62 cm x 3"/7.62 cm ilmanotto) jotta se saa riittävän ilmanvaihdon käytön aikana, joka on kansallisten määräysten mukaisesti syöttöalue ilmalle. Älä käytä muita polttaineita polttavia laitteita sisällä.
- KAASUNPAINELÄMMITTIMESSÄ ON SÄÄDETTY JA ASETETTU 11" W.C.(27.4 millibaaria) ÄLÄ MISSÄÄN TAPAUKSESSA SÄÄDÄ TAI VÄHENNÄ PROPAANI (G31) TAI BUTAANI/PROPAANISEOS (G30+G31) PATRUUNAAN SYÖTTÖPAINETTA LÄMMITTIMELLE!
- LÄMMITTIMEN REGULAATTORIN TULEE OLLA AINA PAIKALLAAN KUN LAITETTA KÄYTETÄÄN.
- Mikä hyvänsä suoja tai suoja-kuori joka on poistettu laitteesta huollon ajaksi, tulee asentaa takaisin lämmittimeen ennen sen käyttöä.
- Laite on tarkistettava ennen jokaista käyttökertaa. Säännöllinen puhdistus voi olla tarpeen. Laitteen ohjainosastot, poltin ja ilmankierto tulee pitää puhtaana, katso lisätietoja kohdasta HUOLTO.
- ÄLÄ käytä lämmitintä mikäli mikään sen osa on ollut veden alla. Kutsu paikalle välittömästi huoltomies tarkastamaan lämmitin ja korvaa mikä tahansa ohjaimen osa tai

kaasujärjestelmä joka on ollut veden alla.

- Mikäli laitetta käytetään ilman asianmukaista tuuletusta, tämä lämmitin voi tuottaa HIILIDIOKSIDIA, hajutonta, myrkyllistä kaasua.
- Jotkin ihmiset, kuten raskaana olevat naiset, henkilöt joilla on sydän- tai keuhkosairaus tai jotka ovat alkoholin vaikutuksen alaisena sekä henkilöt jotka ovat korkeassa ilmanalassa, voivat kärsiä hädästä enemmän kuin toiset.
- Kun lämmitin on maassa, varmista että maa on tasainen ja pidä muut esineet vähintään 24 tuumaa (60.96 cm) lämmittimen etuosasta. **ÄLÄ SIIRRÄ LAITETTA KUN KÄYTÄT SITÄ, ISKUT JA KOLHUT VOIVAT AKTIVOIDA TURVALLISUUSLAITTEEN. ÄLÄ JÄTÄ LÄMMITINTÄ VALVOMATTA TAI MISSÄ LAPSET VOIVAT AIHEUTTAA LÄMMITTIMEN KAATUMISEN. ÄLÄ KOSKAAN KÄYTÄ LÄMMITINTÄ NUKKUESSASI!**

HAJUN HÄVIÄMISEN VAROITUS

VAROITUS

Tukehtumisen vaara

- Älä käytä laitetta tuulettamattomissa tiloissa.
- Ilman virtaus ei saa olla tukittuna.
- Kunnollinen tuuletus on annettava jotta lämmitin saa tarpeeksi ilmaa.
- Viittaa lämmittimen käyttöohjeiden tyyppitietoihin, lämmittimen tietokilpeen tai ota yhteyttä tehtaaseen selvittääksesi lämmittimen tuuletusvaatimukset.
- Asianmukaisen tuuletuksen puuttuminen johtaa virheelliseen palamiseen.
- Väärä palaminen voi johtaa häämyrkytykseen joka voi johtaa vakavaan loukkaantumiseen tai kuolemaan. Häämyrkytyksen oireita ovat päänsärky, huomaus ja hengenahdistus.

NESTEMÄISEN KAASUN HAJU

Propaanikaasu(G31) ja butaani/propaaniseoksen (G30+G31) kaasuun on lisätty ihmisten valmistamia hajuaaineita jotka soveltuvat vuotojen tunnistamiseen. Mikäli havaitset kaasuvuodon, sinun tulisi haistaa nestemäisen kaasun hajua. Koska propaani (G31) on ilmaa raskaampaa, sinun pitäisi tuntea kaasun hajua lattian tasolla. MIKÄ HYVÄNSÄ KAASUN HAJU ON MERKKI TOIMIA VÄLITTÖMÄSTI!

- Älä tee mitään, mikä voisi syyttää nestemäisen kaasun. Älä käytä mitään sähkölaitteiden kytkimiä. Älä vedä virtalähteitä tai jatkojohtoja. Älä sytytä tulitikkuja tai muita liekin lähteitä. Älä käytä puhelinta.
- Järjestä kaikki henkilöt ulos rakennuksesta ja lähialueilta.
- Sulje kaikki (G31) kaasutankit tai patruunan syöttöventtiilit, tai pääpolttoaineen syöttö joka sijaitsee mittarissa, mikäli käytät maakaasua.
- Propaani (G31) on ilmaa raskaampaa ja voi laskeutua alemmille tasoille. Mikäli epäilet propaanivuotoa, pysäytä kaukana alhaisilta alueilta.
- Käytä naapurisi puhelinta ja soita polttokaasun toimittajalle tai palokunnalle Älä mene uudelleen sisään rakennukseen tai alueelle.
- Pysy kaukana rakennuksesta ja alueelta, kunnes se on julistettu

turvalliseksi palomiesten tai kaasuntoimittajan puolesta.

- **VIIMEISEKSI**, anna polttoainekaasun toimittajan ja palomiesten etsiä kaasua. Anna heidän tuulettaa rakennus ja alue ennen palaamista. Asianmukaisesti koulutettu huoltohenkilöstö korjaa minkä hyvänsä vuodon, tarkistaa mahdolliset muut vuodot ja syyttävät laitteen puolestasi uudelleen.

HAJU HÄVIÄÄ - EI HAJUA HAVAITTU

- Jotkin ihmiset eivät pysty haistamaan hyvin. Jotkin ihmiset eivät pysty haistamaan propaaniin lisättyjä hajuaaineita (G31). Sinun tulee määrittää, osaatko tuntea nestekaasun hajun.
- Opi tunnistamaan nestekaasun hajua (G31). Paikalliset propaanikaasun (G31) myyjät antavat sinulle mielellään raaputuspamfletin. Käytä sitä oppiaksesi tuntemaan polttoainekaasun hajua.
- Tupakointi voi heikentää kykyäsi haistaa. Mikäli olet pitkään hajun lähellä, se voi vaikuttaa kykyysi haistaa erityisen hajun. Hajut jotka ilmenevät eläinten käsittelytiloissa voivat peittää kaasun hajun.
- **Propaanikaasun hajuaaine (G31) on väritön ja sen hajua voi kadota joissain tilanteissa.**
- Mikäli vuoto tapahtuu maan alla, kaasun liikkuminen maaperän läpi voi peittää hajuaaineen.
- Propaanikaasun (G31) hajua saattaa vaihdella teholta eri tasoilla. Koska propaanikaasu (G31) on ilmaa raskaampaa, se saattaa haista enemmän alemmilla tasoilla.
- **Ota aina huomioon pieninkin kaasun hajua.** Mikäli havaitse pienimmänkin määrän kaasun hajua, oli se sitten miten pieni tahansa, käsittele sitä vakavana vuotona. Ala toimimaan välittömästi aiemmin annettujen ohjeiden mukaisesti.

HUOMIO - TÄRKEÄT KOHDAT MUISTETTAVAKSI!

- Propaanikaasulla (G31) tai butaani/propaaniseoksella (G30+G31) on oma hajunsa. Opi tunnistamaan nämä hajut. (Viittaa polttokaasun hajua ja hajun häviämiseen ylempien kohtien mukaisesti.
- Vaikka et olisi asianmukaisesti koulutettu korjaamaan lämmittintä, OLE AINA tietoinen propaanin (G31) ja maakaasun hajua.
- Mikäli et ole asianmukaisesti koulutettu korjaamaan ja huoltamaan propaanikaasua (G31) tai butaani/propaaniseosta (G30+G31) älä yritä käynnistää lämmittintä, suorita huolto tai korjausta, tai tee muita säätöjä lämmittimelle joka käyttää propaani (G31) tai butaani/propaaniseos (G30+G31) nestekaasujärjestelmää.
- Ajoittainen haistelu lämmittimen tai sen liitäntöille kuten; letku, kytkennät jne, on hyvä turvakäytäntö kaikissa olosuhteissa. Mikäli haistat edes pienen määrän kaasua, OTA YHTEYS KAASUNTOIMITTAJAASI VÄLITTÖMÄSTI. ÄLÄ ODOTA!

YLEISTÄ:

- Tämän lämmittimen käyttö on turvallista pienissä sisäkohteissa, jossa sille on tarjolla happea ja hyvä ilmanvaihto, kuten teltat, mökit, kalastusmökit ja suljetut kuistit. Sitä voidaan käyttää hätäsisätilanlämmittimenä kun siihen on kytketty kertakäyttöinen 1 paunan (465g) propaani (G31) TAI 450g butaani/propaaniseos (G30+G31) patruuna, ja sisätiloissa kuten kauppatilat, jossa sille on tarjolla happea ja hyvä ilmanvaihto, kuten rakennuskontit tai väliaikaiset rakennuskohteet.
- Huomautus: Lämmitintä voidaan käyttää myös ulkona, mutta voit kokea turhia sammumisia johtuen tuuliolosuhteista.
- Kun lämmitin on kylmä tai huoneenlämmössä, laitteella kestää muutama minuutti että polttimen laatta muuttuu kirkkaan oranssiksi. Tämä on normaalia ja lämmitin toimii normaalisti. Jos polttimen laatta on selvästi tulessa, sulje lämmitin ja kutsu paikalle valtuutettu huoltomies.
- Kun yksikkö on sytytetty, sinun tulisi nähdä neljännestuuman (1/4"-0.635 cm) alue laatan ympärillä joka ei muutu kirkkaan oranssiksi. Tämä on normaalia.
- Kun käytät lämmitintä ensimmäistä kertaa, sen ylimmän osan heijastin saattaa värjytyä. Tämä on myös normaalia ja ei ole syytä huoleen.
- Kun käytät lämmitintä yli 7,000 jalan (2.13 km) korkeudessa merenpinnan yläpuolella, yksikkö ei saata palaa niin kirkkaana kuin alemmassa korkeudessa. Tämä on normaalia. Korkeammalla lämmitin voi sammuttaa itsensä. Jos näin tapahtuu, anna sille raitista ilmaa, odota 5 minuuttia ja sytytä se uudelleen. Paikallisten olosuhteiden mukaan lämmitin ei saata syttyä uudelleen.
- Käyttöaika voi muuttua johtuen lämmittimen asetuksista ja patruunan koosta. Jopa 3 - 6 tuntia 1 paunan (G31) patruunalla tai 3 - 6 tuntia 450G 70/30 butaani/propaaniseos (G30+G31) patruunalla. Jopa 48 - 110 tuntia 20 paunan (5KG) patruunalla (perustuen "HI" ja "LO" asetuksiin). Johtuen propaanin ominaisuuksista, käyttöaika voi olla alhaisempi kun käytät laitetta jatkuvasti 20 F (-7 Celsius-) asteen alapuolella
- Tämä lämmitin on varustettu kaatumiskytkimellä. Voit kokea lämmittimen sammumisen mikäli laitetta kolhitaan tai sitä siirretään. Mikäli näin tapahtuu, sytytä laite uudelleen.
- Johtuen pienten tankkejen käytöstä, kondensaatiovettä voi muodostua tankkiin ja valua lämmittimen alapuolelle. Joskus kondensaatiovesi saattaa jäätyä äärimmäisestä kylmyydestä kun propaani (G31) haihtuu. Tämä on normaalia, eikä ole mitään syytä huoleen.

SYTYTYS / KÄYTTÖOHJEET KÄYTÄ 1 PAUNAN KERTAKÄYTTÖISTÄ. PROPAANI (G31)TAI 450G 70/30 BUTAANI/PROPAANISEOS (G30+G31) PATRUUNAA:


VAROITUS: Tarkasta aina propaanipatruunan ja lämmittimen propaani/butaani liittimen kytkennät vahinkojen, lian tai roskien varalta, ennen kuin liität propaanipatruunan.

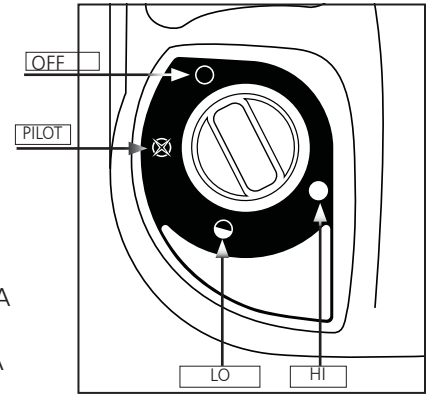
Älä käytä mikäli patruunan pää on vahingoittunut, rikki tai vaurioitunut.

IRROTA JA LIITÄ PATRUUNAT AINA ULKOTILOISSA, KAUKANA AVOTULESTA, MUISTA IHMISSISTÄ, MUISTA SYTTYMISLÄHTEISTÄ JA AINOASTAAN KUN LÄMMITIN ON VIILEÄNÄ. ÄLÄ POLTA KOSKAAN TUPAKKAA KUN LIITÄT TAI IRROTAT PROPAANIPATRUUNAA TAI KUN TEET LIITÄNTÖJÄ!

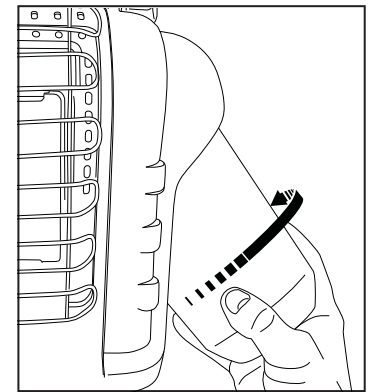
- Käytä 16.4 oz. (1 paunan/465g) kertakäyttöisiä patruunoita jotka sopivat nro. 600 venttiililiitäntään tai butaani/propaani (G31) (70/30) seoksiä, joissa on kierteen tyyppi 7/16-28 ENF-2B.

- Tarkista että tiivisteet (laitteen ja kaasun välillä) ovat paikallaan ja hyvässä kunnossa ennen sen liittämistä kaasupatruunaan. Kuva 4. Älä käytä laitetta, jossa on vahingoittuneet tai kuluneet tiivisteet. Älä käytä laitetta joka vuotaa, on vahingoittunut tai ei toimi kunnolla.

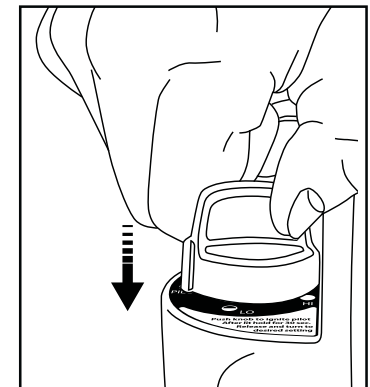
- Varmista että neljän asennon säätönappi on "OFF"  asennossa: katso kuva 1.
- Käyttäessäsi propaanin kanssa: Käännä regulaattoria ulospäin helpottaaksesi tankin asentamista. Ruuvaa 1 paunan (465g) kertakäyttöinen propaanipatruuna (G31) myötöpäivään (pohjasta katsoen) kannettavaan lämmittimeen kunnes se on käsikireä; katso kuva 2 ÄLÄ käytä ruuvilukitetta tässä liitännässä.
- Käyttäessäsi butaani/propaaniseosta (G30+G31): Ruuvaa messinkinen sovitin myötöpäivään kannettavan



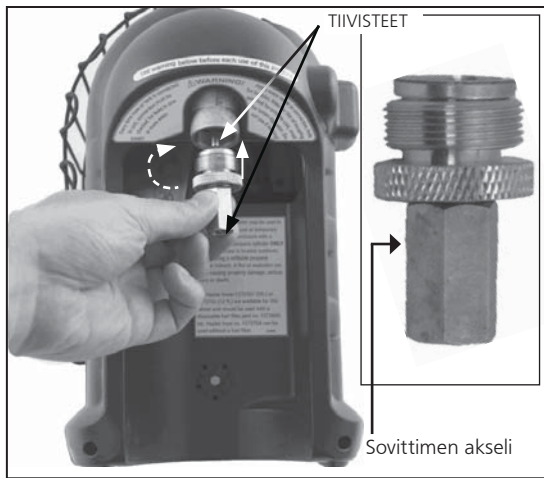
Kuva 1: Säätönappi



Kuva 2: Kiinnitä polttoainesäiliö



Kuva 3: Sytytys



Kuva 4: "Butaanisovitini"

lämmittimen regulaattoriin (pohjasta katsoen) kunnes se on tiukasti paikallaan. Katso kuva 4. ÄLÄ käytä ruuvilukitetta tässä liitännässä. Ruuvaa butaani/propaniseospatruuna sovittimeen (myötöpäivään), kunnes akseli sovittimessa alkaa pyöriä, patruuna on kytketty, ja asenna sitten patruuna jalustaan.

- Tarkista sovittimen ja patruunan letkuliitokset saippuvedellä, kierteisen liitännän kupolimaisesta kannesta, jossa patruuna ruuvautuu regulaattoriin. **KATSO VAROITUS!** MUOVISUOJUKSESSA.

- Paina "PILOT" painiketta vastapäivään ja päästä irti kunnes lämmitin syttyy; katso kuvat 1 ja 3.

- Jos lämmitin ei syty, pidä paikallaan noin 30 sekuntia; vapauta ja paina uudelleen. Toista kunnes pilotti syttyy.

- Kun pilotti syttyy, pidä alhaalla 30-60 sekuntia ja vapauta sitten nappi. Nupin tulisi vapautua uloimpaan asentoon; Käyttääksesi lämmitintä, väännä nuppia hellästi ja siirrä se lukitusasentoon "HI" syyttääksesi polttimen keraamisen laatan. Jätä "HI" asentoon kunnes polttimen laatta muuttuu kirkkaan oranssiksi". Kuva 5.



Figura 5: "Suelte el pomo".

HUOMAUTUS: Liekit ovat yleisiä kun sytytät laitetta ensimmäistä kertaa. Pidä kasvoisi ja herkästi syttyvät kohteet kaukana laitteesta.

- Kun polttimen laatta on muuttunut kirkkaan oranssiksi, säädä lämpöä kääntämällä nappi haluamaasi asentoon ("LO" tai "HI" asetetus) kuva 1.

Varoitus:

ÄLÄ KÄYTÄ LÄMMITINTÄ ENNEN KUIN SÄÄTÖNUPPI ON LUKITTU ASENTON "HI" , "LO" tai "PILOT" . ÄLÄ KOSKAAN ASETA SÄÄTÖNUPPIA LUKITTUJEN ASENTOJEN VÄLILLE. TÄSÄ VOI AIHEUTUA VÄÄRÄNLAINEN PALAMINEN JA ILMAAN VOI MUODOSTUA HIILIMONOKSIDIA.

- Sammuttaaksesi lämmitin, paina hellästi alas säätönappi asentoon "OFF" .

- **VAROITUS:** Psat voivat olla hyvin kuumia. Laitteen suojan tarkoituksena on estää tulipalot ja palovammat ja sitä ei saa poistaa koskaan. SE EI ANNA TÄYDELLISTÄ SUOJAA PIENILLE LAPSILLE TAI VAJAAKUNTOISILLE IHMISILLE. Anna laitteen jäähtyä kunnolla ennen varastoimista.
- Käännä säätönappi asentoon "OFF" . Varmista että polttimet ovat sammuneet ennen kuin irroitat kaasupatruunan.
- **POISTAAKSESI PROPAANI (G31) PATRUUNAN:** Poista patruuna jalustasta ja käännä vastapäivään, kunnes se on kokonaan ruuvattu irti lämmittimestä.
- **POISTAAKSESI BUTAANI/PROPAANISEOS (G30+G31) PATRUUNAN:** Poista patruuna jalustasta ja käännä vastapäivään, kunnes se on kokonaan ruuvattu irti sovittimesta.
- Kun patruuna on poistettu, butaanisovitini voidaan ruuvata irti kääntämällä sitä vastapäivään kunnes se irtoaa lämmittimestä.
- Älä käytä, varastoi tai poista patruunoita lähellä syttyviä kohteita tai sytytyslähteitä. Vaihda patruunat ainoastaan hyvin ilmastoituilla alueilla, mielellään ulkotiloissa, kaukana palokohteista, kuten liekeistä, pilottiliekeistä, sähköpaloista ja kaukana muista ihmisistä.
- Propanikaasu (G31) tai butaani/propaniseos (G30+G31) patruunat TULEE IRROTTAA LÄMMITTIMESTÄ KUN SE EI OLE KÄYTÖSSÄ! Tarkista tiivisteet ennen uuden kaasupatruunan käyttöä laitteessa.

HUOLTAMINEN:

TOIMENPITEET MIKÄLI LAITETTA EI TULLA KÄYTTÄMÄÄN TIETYN AJAN KULUESSA:

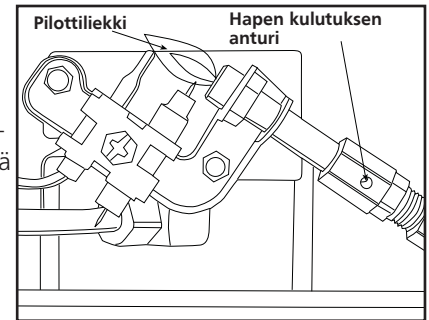
Pidä lämmitin alue aina tyhjänä ja vapaana palavista materiaaleista, bensiinistä ja muista syttyvistä höyryistä ja nesteistä.

Varastoi lämmitin kun se on viilentynyt vetoketjulliseen laukkuun tai muuhun pölyttömään paikkaan käyttöjen välillä.

Pidä tuuletuskohdat (lämmittimen ylä ja alaosassa) tyhjänä jatkuvasti.

Tarkista pilotin liekki ja lämmitin aina silmämääräisesti säännöllisin väliajoin. Pilotin liekin tulisi olla sininen (ei keltainen) ja jatkaa termoelementtiin. Liekki ympäröi termoelementtiä juuri kärjen alapuolella, katso kuva 6.

Pieni keltainen liekki voi tapahtua pilottiliekin ja pääpolttimen liekin kohdatessa. Lämmitin tulisi olla kirkkaan oranssi (hiukan sinistä reunaosissa ja puna-oranssi kajo joka on nähtävissä keraamisella laattalla), ilman näkyvää liekkiä. Sininen liekki joka voi ilmaantua keraamisen tiilen yläosassa, kertoo pölyn muodostumisesta, nukasta tai hämähäkin seiteistä jotka voivat sijaita kotelon ja pääpolttimen sisällä. Jos pilottiliekki on keltainen tai polttimella on näkyvä liekki, se saattaa vaatia puhdistamista. Seuraavan ohjeen avulla voit tarkastaa rungon ja sen pääpolttimen kokonaisuuden.



Kuva 6

On tarpeen säännöllisesti tarkastaa polttimen kuristin ja venturi jotta ne ovat vapaana hyönteisistä sekä hämähäkin seiteistä, joita voi kertyä ajan mittaan. Tukkeutunut putki voi aiheuttaa tulipalon.

- 1 Anna lämmittimen jäähtyä kunnolla ennen huoltotöiden tekemistä.
- 2 Irrota patruuna lämmittimestä tai SULJE kaasunsyöttö etäsjainnissa sijaitsevasta venttiilistä ja irrota letku lämmittimestä.
- 3 Irrota neljä (4) ruuvia jotka pitävät paikallaan lämmittimen takaluukkua.
- 4 Kierrä kantta ulospäin pohjasta. Vapauta 2 yläkiinnikettä. Siirrä sivuun.
- 5 Poista (4) neljä polttimen kiinnitysruuvia ja polttoaineletku polttimen kokonaisuudesta. Irrota poltinkokonaisuus kotelon takaosasta.
- 6 Tarkista sisätilat pölyn, nukan tai hämähäkin seittien varalta. Mikäli tarpeen, puhdista laitteen sisäosat pölynimurilla tai paineilmalla. Älä vahingoita komponentteja laitteen sisällä kun puhdistat sitä.
- 7 Tarkasta ja puhdista pääpolttimen suutin (kiinnitetty kuristimen pidike). Kuristimen pidike on kiinnitetty polttimen kokonaisuuden venturiin kahdella (2) ruuvilla.
- 8 Tarkasta ja puhdista pilottiliekki (kiinnitetty pidikkeeseen) käytämällä pölynimuria tai paineilmaa pilotin reikien läpi kuten on näytetty nuolilla kuvassa 6. VAROITUS: Älä käytä neuloja, johdoja tai muita sylinterimäisiä objekteja puhdistaksesi pilottiliekkiä, jotta estät vahingoittamasta kalibroitua osaa jonka kautta kaasu virtaa.
- 9 Käytä paineilmaa (enintään 30 psi) polttimen keraamiseen tiileen tai polttimen kokonaisuuteen sekä venturiputkeen (kuvan kohde #16), poistaaksesi pölyn, nukan ja hämähäkin seittit.
- 10 Kokoa polttimen kuristimen pidike polttimen kokonaisuuteen.
- 11 Kokoa poltin takaisin lämmittimen koteloon
- 12 Asenna polttaineputki ja tarkasta se vuotojen varalta.
- 13 Asenna lämmittimen takakansi.

LISÄTIETOJA VIANETSINNÄSTÄ:

Jos kipinän elektrodi ei tuota kipinöitä.

TARKISTA

- Kipinän elektrodi on rikki – vaihda ODS (Oxygen Depletion Sensor - hapen kulutuksen anturi).
- Polttimen johto ei saata olla liitetty kipinän elektoridiin – liitä uudelleen.
- Sytyttimen johto on vahingoittunut – vaihda.
- Pietsosytytin on vahingoittunut – vaihda kaasuventtiilin kokonaisuus.

Jos kipinän elektrodi tuottaa kipinän mutta pilotti ei syty.

TARKISTA

- ei virtaa lämmittimeen – asenna kertakäyttöinen patruuna tai kytke venttiili päälle etäpatruunasta.
- "PILOT" asento ei ole kohdistettu kunnolla – käännä kaasun säädin "PILOT" asentoon ja paina sitä uudelleen.
- Pilotti on tukossa hämähäkin seiteistä tai liasta – puhdista pilotti, katso HUOLTO.

Jos pilottiliekki ei pala kun painike vapautetaan.

TARKISTA

- "PILOT" painiketta ei ole painettu kunnolla tai pidetty alhaalla tarpeeksi kauan jotta se saisi ilmaa.
- Pilotin liekki ei ympäröi termoelementtiä – puhdista pilotti, katso HUOLTO.
- Pilotin kokonainen on vahingoittunut – vaihda.
- Kallistuskytkimen johdot ovat irti – liitä uudelleen.

Jos poltin ei syty.

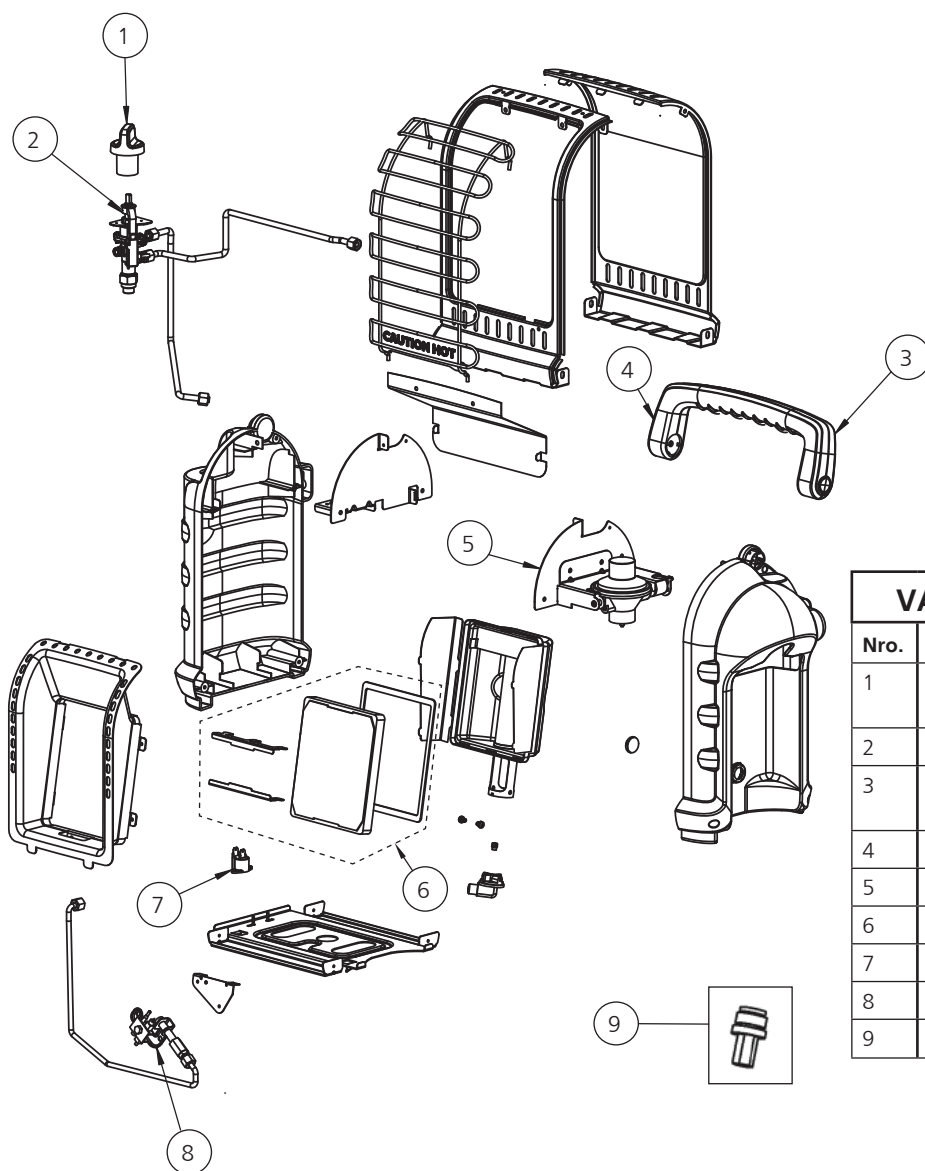
TARKISTA

- Pääpolttimen kuristin on tukkeutunut – puhdista poltin, katso HUOLTO.

Jos lämmitin SAMMUU jatkuvasti normaalin käytön aikana.

TARKISTA

- Pilotti on tukossa - puhdista pilotti, katso kohta HUOLTO.
- Varmista vähintään 9 (15.14 cm) neliösenttimetrin raitisilman aukko, (esimerkki 3" (7.62 cm) x 3" (7.62 cm) avaus).
- Kaatumiskytkin on aktivoitunut lämmittimen kaatumisen vuoksi. Sytytä uudelleen
- Regulaattorin on viallinen - vaihda regulaattori.
- Sisäinen kontaminaatio - vaihda ohjausventtiili ja regulaattori.
- Soita tekniseen tukeen saadaksesi lisätietoja.



VAIHTO-OSIEN LUETTELO:		
Nro.	Osa#	Kuvaus
1	32017	Nuppi, venttiili, turvallisuus, punainen
2	32054	Venttiili, assy, ohjaus
3	32015	Kahva, takaosa, muovia, harmaa
4	32014	kahva, etuosa, muovia, harmaa
5	75198	Assy, säädin, tuen kanssa
6	33088	Laatta, Vaihtosarja, H9BXDF
7	73403	Kytkin, kaatumiskytkin
8	73396	ODS, pilotti, assy
9	15164	Butaanisovitin

HYVÄKSYTYT MR. HEATER LISÄVARUSTEET (myydään erikseen)	
KOHDE #	KUVAUS
32008	5 ft. (1.52m) PROPAANILETKU (kääntyvä 1" 20 urosliitin käytettävä sylinteri. Thd. X P.O.L. käsipyörän kanssa) (Suositellaan käytettäväksi polttoainesuodattimen kanssa.)
F273699	Polttoainesuodatin (vaihda kerran vuodessa)



KÄYTTÖOHJEET JA KÄYTTÖOPAS

Malli #
MH8BXDF



VAROITUS:

KÄYTTÄ AINOASTAAN VALMISTAJAN VARAOSIA MUUT OSAT VOIVAT AIHEUTTAA HENGENVAARAN TAI KUOLEMAN. VARAOSIA ON SAATAVANA VAIN SUORAAN TEHTAALTA JA NE SAA ASENTAA VAIN VALTUUTETTU HUOLTO. MR. HEATER PUTKI 32008 ON SUUNNITELTU ERITYISESTI KÄYTETTÄVÄKSI TÄMÄN LÄMMITTIMEN KANSSA SEKÄ F273699 KERTAKÄYTTÖISEN POLTTOAINESUODATTIMEN KANSSA (VAIHDA VUOSITTAIN). MIKÄLI KÄYTÄT MUITA LETKUJA, LÄMMITYSLAITE EI SAATA ENÄÄ TOIMIA.

OSIEN TILAUSTIEDOT:

OSTAMINEN: Lisävarusteita voi ostaa osoitesta www.mrheater.com ja paikallisilta jälleenmyyjiltä.

LISÄTIETOJA HUOLLOSTA SAAT OSOITTEESTA: www.mrheater.com

Aukioloaikamme ovat 8:00 – 17:00 EST, maanantaista perjantaihin

Voit chattailla teknisen edustajan kanssa sivuston kautta: www.mrheater.com

Kirjoita mallinumero, sekä hankintapäivämäärä ja ongelman kuvaus kaikessa viestinnässä.

RAJOITETTU TAKUU

Mr. Heater, Inc. takaa lämmittimen ja sen lisävarusteet materiaali- ja valmistusvirheiden varalta 1 vuoden ostopäivästä lukien. Mr. Heater, Inc. korjaa tai vaihtaa tämän tuotteen ilmaiseksi, mikäli sen on osoittautunut vialliseksi 1 vuoden sisällä ja mikäli se on palautettu jälleenmyyjälle ostotodistuksen kera takuun voimassaoloaikana.

Mr. Heater, Inc. pidättää oikeuden tehdä muutoksia milloin tahansa, ilman erillistä ilmoitusta tai velvoitetta, koskien väriä, ominaisuuksia, lisävarusteita, materiaaleja ja malleja.

Myytävänä seuraavissa maissa:



TUOTTEEN REKISTERÖINTI: Kiitos ostoksestasi!

Kirjautu osoitteeseen <http://www.egiregistration.com> rekisteröidäksesi tuotteesi.

MR. HEATER, INC., 4560 W. 160TH ST., CLEVELAND, OHIO 44135 USA • +1-800-251-0001

Mr. Heater and Portable Buddy ovat Enerco Group, Inc.:in rekisteröityjä tuotemerkkejä

© 2015, Enerco/Mr. Heater. Kaikki oikeudet pidätetään.



BRUKSANVISNING OG EIERMANUAL



PORTABEL BUDDY VARMESTRÅLER

Modell #

MH8BXDF

VIKTIG: Les denne bruksanvisningen nøye for å bli kjent med apparatet før du kobler det til sin gasspatron. Ta vare på disse instruksjonene for fremtidig referanse.



**BRUK OVNEN KUN
MED GJENGET
PATRON**



(1 pund (450g) propangass (G31) patron ikke inkludert)

PORTABEL (G31) OG BUTAN/
PROPAN BLANDING(G30 + G31)
VARMER FOR REKREASJONELL-,
KOMMERSIELL- OG NØDBRUK
INNENDØRS

INKLUDERTE SPRÅK:

ENGELSK, TYSK, FRANSK, ITALIENSK, SPANSK, NEDERLANDSK,
PORTUGISISK, RUSSISK, POLSK, FINSK, SVENSK, NORSK, DANSK



(450g) Butan / Propan Blanding Gas (G30 + G31) patron ikke inkludert

ADVARSEL: Hvis informasjonen i denne håndboken ikke følges nøyaktig kan det oppstå brann eller eksplosjon som forårsaker skade på eiendom, personskade eller tap av liv.

- Ikke bruk eller oppbevar bensin eller andre brennbare væsker i nærheten av dette eller andre apparater.
- En Propan (G31) eller butan / propan blanding (G30 + G31) patron som ikke er i bruk skal ikke lagres i nærheten av dette eller andre apparater.
- HVA GJØR DU HVIS DU LUKTER GASS
 - Ikke prøv å tenn apparatet.
 - Slukk alle åpne flammer.
 - Skru av gassen til apparatet.
- Tjenesten må utføres av et kvalifisert servicebyrå.

Dette er et uventilert bærbar varmeapparat på gass. Den bruker luft (oksygen) fra det området hvor den brukes. Tilstrekkelig forbrenning og ventilasjon må tilføres. Se side 3.

ADVARSEL:

- ⚠ Hver gang en tank kobles til enheten må tilkoblingen kontrolleres for lekkasjer på en eller flere måter: Påfør såpevann på koblingen og se etter bobler, lytt etter suset av gasslekkasje, føl etter ekstrem kulde, kjenner etter lukten av råtnede egg. Hvis det er en lekkasje på apparatet (lukter gass), ta det med ut umiddelbart til et godt ventilert flammefritt sted hvor lekkasjen kan bli oppdaget og stanset. Dersom du ønsker å se etter lekkasjer på apparatet ditt, gjør det utendørs. Ikke prøv å oppdage lekkasjer ved hjelp av en flamme, bruk såpevann. Eventuelle endringer i denne varmeren eller kontrollene kan være farlig. Modifiser IKKE apparatet.

ADVARSEL:

- ⚠ Tidlige tegn på kullstoffgiftning ligner influensa, hodepine, svimmelhet og/eller kvalme. Hvis du har disse symptomene kan det være at varmeapparatet ikke fungerer. Få frisk luft på en gang! Få varmeapparatet vedlikeholdt.

ADVARSEL:

- ⚠ Hvis kabinettet for rekreasjon eller kommersiell bruk ikke har et vindu eller tak ventil, IKKE BRUK DENNE VARMEREN INNE. Må bare anvendes på et godt ventilert sted.

INNHold

Generell sikkerhetsinformasjon	2
Advarsel om luktfalming	3
Generell informasjon	4
Opererer med engangs propanbeholdere	4
Bruk med slange koblet til ekstern beholder	5
Vedlikehold	6
Feilsøking	7
Deleliste	8
Informasjon for delebestilling	9
Serviceinformasjon	9

SPESIFIKASJONER

MODELL NR.	MH8BXDF
GASSTYPE...Propan (G31) Gass som Coleman og 70/30 butan/propan (G30+G31) Gass Blends som for eksempel Primus Power Gass	
INN BTU/HR.	4000(1,17 KW) / 8,000(2,4 KW)
KLARERING TIL BRENNBARE	
TOPP	30"/76,2 cm
FRONT	24"/60,96 cm
SIDER	6"/15,24 cm
BAK	0"

Forsiktig:

- Noen tepper eller linoleum kan misfarges hvis varmeren er plassert direkte på slike gulvbelegg.
- Ved bruk av varmeapparatet i høyder over 7000 FT (2,13 km) over havet kan det hende at varmeapparatet slås av. (Vennligst les GENERELL INFORMASJON).

ADVARSEL:

- Dette apparatet skal kun brukes med Gasstrykk Propan 100% (G31) og Propan Butan Blanding 70/30 (G30 + G31) brensel. Det kan være farlig å forsøke å feste andre typer gassbeholdere.

GENERELLE SIKKERHETSINSTRUKSJONER

DETTE ER ET VARMEAPPARAT. IKKE BRUK DETTE APPARATET UTEN LEDNIGSBESKYTTELSEN I FRONTEN INSTALLERT. FORSØK IKKE Å VARME ELLER LAGE MAT PÅ DENNE VARMEREN.

- Ikke bruk ikke-godkjent tilbehør på denne varmeren. Ikke modifier apparatet.
- På grunn av høye temperaturer bør apparatet plasseres vekk fra trafikk og vekk fra brennbart materiale. (Se SPESIFIKASJONER)
- **ADVARSEL:** Tilgjengelige deler kan bli svært varme. Hold små barn borte fra apparatet. Barn og voksne bør gjøres oppmerksomme på faren for høye overflatetemperaturer og bør holde seg borte for å unngå brannskader eller antenning av klær.
- Små barn bør overvåkes nøye når de er i nærheten av apparatet.
- Ikke plasser klær eller annet brennbart materiale på eller i nærheten av apparatet.
- Ikke bruk varmeapparatet i noen bevegelige kjøretøy eller fritidskjøretøy som campingvogner. Må ikke brukes i høye leiligheter, kjellere, bad eller soverom.
- Denne varmeren kan også brukes i en campingbil eller kommersielt kabinett med et vindu eller takventilasjon. Den kan også brukes utendørs.
- Denne varmeren krever et godt ventilert sted på 9 kvadrat tommer (22,86 cm²) (eksempel 3 " /7.62 cm x 3 " /7.62 cm åpning) minimum for tilstrekkelig ventilasjon under drift som er i samsvar med nasjonale krav til tilførsel av forbrenningsluft, . Ikke bruk andre drivstofforburningsapparater inne.
- Gasstrykket ved varmeren er regulert og fastsatt til 11 » W.C. (27,4 millibar) Aldri reguler eller reduser propan (G31) eller butan/propan-blanding (G30 + G31) trykket fra beholderen til varmeren!
- **REGULATOREN I VARMEREN MÅ ALLTID VÆRE PÅ Plass UNDER BRUK.**
- Dersom ledningens beskyttelse fjernes for vedlikehold må den byttes ut før bruk av varmeapparatet.
- Apparatet skal kontrolleres før hvert bruk. Regelmessig rengjøring kan være nødvendig. Kontroll hulrom, brenner og sirkulerende luftpassasjer på apparatet må holdes rene, se **VEDLIKEHOLD**.

- IKKE bruk denne varmeren hvis en av delene har vært under vann. Ring øyeblikkelig en kvalifisert servicetekniker for å inspisere varmeren og skift ut alle deler av kontrollsystemet og enhver gasskontroll som har vært under vann.
- Når den brukes uten tilstrekkelig forbrenning og ventilasjonsluft kan denne varmeren avgi overdreven KARBONMONOKSID, en luktfri, giftig gass.
- Noen mennesker - gravide, personer med hjerte- eller lungesykdom, anemi, de under påvirkning av alkohol, de som i store høyder - er mer påvirket av karbonmonoksid enn andre.
- Når varmeren er plassert på bakken må du sørge for at bakkenivået er flatt og holde alle gjenstander minst 24 tommer (60,96 cm) fra forsiden av varmeapparatet. IKKE FLYTT PÅ APPARATET NÅR DET ER I BRUK DA STØT OG DUNKING KAN AKTIVERE TIPP-OVER SIKKERHETSENHETEN Ikke forlat varmeren uten tilsyn eller der hvor barn kan føre til at varmeapparatet velter. BRUK ALDRI VARMEREN MENS DU SOVER!

ADVARSEL OM LUKTFALMING

ADVARSEL

⚠ Kvelningsfare

- Må ikke brukes i uventilerte områder.
- Flyten av forbrenning og ventilasjonsluft må ikke tildekkes.
- Riktig ventilasjonsluft må gis for å støtte kravene til forbrenningsluft for varmeren som brukes.
- Se spesifikasjoner-delen av varmerens håndbok, varmeapparatets dataskilt eller ta kontakt med fabrikken for å avgjøre kravene til varmeapparatets forbrenningsluftventilasjon.
- Mangel på skikkelig ventilasjonsluft vil føre til feil forbrenning.
- Uriktig forbrenning kan føre til kullosforgiftning som kan føre til alvorlig personskade eller død. Symptomer på kullosforgiftning kan være hodepine, svimmelhet og pustevansker.

DRIVSTOFFGASS LUKT

Propangass (G31) og butan/propan blanding (G30 + G31) gasser har menneskeskapt odorant lagt til spesielt for oppdagelse av drivstoffgasslekkasjer. Dersom det oppstår gasslekkasje bør du være i stand til å lukte brenngass. Siden propan (G31) er tyngre enn luft bør du lukte etter gasslukten nær gulvet. DEN MINSTE GASSLUKTEN ER DITT SIGNAL TIL Å TA UMIDDELBAR HANDLING!

- Ikke gjør noe som kan antenne brenngassen. Ikke bruk noen elektriske brytere. Ikke trekk noen strømforsyning eller skjøteledninger. Ikke tenn fyrstikker eller noen annen flammekilde. Ikke bruk telefonen.
- Få alle ut av bygningen og bort fra området umiddelbart.
- Lukk alle propan (G31) gasstanker eller patron-drivstofftilførselsventilene eller hoveddrivstofftilførselens ventil

- plassert på måleren hvis du bruker naturgass.
- Propan gass (G31) er tyngre enn luft og kan bosette seg i lavtliggende områder. Når du har grunn til å mistenke en propan lekkasje, hold vekk fra alle lavtliggende områder.
- Bruk din nabos telefon og ring drivstoffgassleverandøren og ditt brannvesenet. Ikke gå inn igjen i bygningen eller området.
- Hold deg ute av bygningen og borte fra området før det er erklært trygt av brannmenn og drivstoffgassleverandør.
- Til slutt, la gassservicepersonell og brannmenn se etter utsluppet gass. Be dem lukte ut bygningen og området før du returnerer. Skikkelig opplært servicepersonell må reparere eventuelle lekkasjer, sjekke for ytterligere lekkasjer og deretter tenne apparatet for deg.

LUKTFALMING - INGEN LUKT OPPDAGET

- Noen mennesker kan ikke lukte godt. Noen mennesker kan ikke lukte lukten av menneskeskapt kjemikalier lagt til i propan (G31). Du må finne ut om du kan lukte odoranten i disse brenngassene.
- Lær deg å kjenne igjen lukten av propan gass (G31). Lokale propangass (G31) forhandlere vil være mer enn glade for å gi deg en klø og snuse brosjyre. Bruk den til å bli kjent med brenngass lukt.
- Røyking kan redusere din evne til å lukte. Å være rundt vond lukt i en periode kan påvirke følsomheten din til den aktuelle lukten. Lukt tilstede i lukkede bygninger for dyr kan maskere brenngass lukt.
- **Odoranten i propangass (G31) er fargeløs og intensiteten av lukten dens kan svekkes under visse omstendigheter.**
- Hvis det er en underjordisk lekkasje kan bevegelsen av gass gjennom jordsmonnet filtrere odoranten.
- Propan gass (G31) lukt kan variere i intensitet på forskjellige nivåer. Siden Propan gass (G31) er tyngre enn luft kan det være mer lukt på lavere nivåer.
- **Vær alltid følsom for den minste gasslukten.** Hvis du fortsetter å oppdage gasslukten, uansett hvor lite, behandle det som en alvorlig lekkasje. Gå umiddelbart til handling som omtalt tidligere.

MERK - KRITISKE PUNKTER Å HUSKE!

- Propan gass (G31) eller butan / propan blanding (G30 + G31) har en særegen lukt. Lær å gjenkjenne disse luktene. (Referer til gasslukten og luktfalming-avsnittene ovenfor.
- Selv om du ikke er skikkelig trent i service og reparasjon av varmeapparatet må du ALLTID være bevisst klar over lukten av propangass (G31) og naturgass.
- Hvis du ikke har fått skikkelig opplæring i reparasjon og service av propangass (G31) eller butan/propan blanding (G30 + G31) må du ikke forsøke å tenne varmeapparatet, utføre service og reparasjoner, eller gjøre noen justeringer på varmeapparatet på propan (G31) eller butan/propan blanding (G30 + G31) gass drivstoffsystemet.
- En periodisk sniff test rundt varmeren eller på varmeapparatets ledd; dvs. slange, tilkoblinger, etc., er en god sikkerhetspraksis under alle forhold. Hvis du lukter selv en liten mengde gass, TA KONTAKT MED gassleverandøren UMIDDELBART. IKKE VENT!

GENERELL INFORMASJON:

- Denne varmeren er trygg for innendørs bruk i små fritids hytter som har mulighet for å gi forbrenningsluft og ventilasjon, slik som telt, hytter, rorbuer og lukkede verandaer. Den kan brukes til nødoppvarming innendørs når den er koblet til en engangs 1 lb. (465g) propan (G31) ELLER 450g Butan/Propan blanding (G30 + G31) patron og for innendørs bruk i kommersielle kabinetter som har midler til å gi forbrenningsluft og ventilasjon, for eksempel bygge trailere eller midlertidige arbeidsfasiliteter.

Notat: Varmeapparatet kan brukes utendørs men kan oppleve plagsomme avstenginger på grunn av visse vindforhold.

- Når varmeren er kald eller ved romtemperatur vil det ta noen minutter for brennerens flis å bli lyseoransje. Dette er normalt og varmeapparatet fungerer. Hvis brennerflisen har en synlig flammend må du slå av varmeapparatet og ringe en kvalifisert servicetekniker.
- Når enheten er tent, bør det være om en kvart tomme (1/4"-0,635 cm) kant rundt flisen som ikke vil bli lyseoransje. Dette er normalt.
- Når du bruker varmeren for første gang kan det øverste området på reflektoren misfarges. Dette er også normalt og er ingen grunn til bekymring.
- Ved bruk av varmeapparatet i høyder over 7000 FT (2,13km) over havet kan det hende at enheten ikke brenne så sterkt som i lavere høyder. Dette er normalt. I høyereliggende strøk kan varmeren slukke. Hvis dette skjer, sørg for frisk luft, vent 5 minutter og tenn på nytt. På grunn av de lokale atmosfæriske forholdene kan det hende at varmeapparat ikke kan tennes på nytt.
- Driftstiden vil variere avhengig av innstillingen på varmeapparat og størrelsen på gassbeholderen. Opp til 3 til 6 timer med en 1 lb. propan (G31) beholder eller 3 til 6 timer på en 450G 70/30 butan/propanblanding (G30 + G31) patron. Opptil 48 til 110 timer på en 20 lb. (5kg) patron (basert på "HI" og "LO" innstillinger). På grunn av egenskapene til propangass (G31) kan driftstiden noen ganger bli betydelig redusert ved kontinuerlig drift ved temperaturer under 20 F.
- Varmeovnen er utstyrt med en tipp-over sikkerhetsbryter. Plagsomme nedstengninger kan oppleves hvis enheten blir dunket borti eller flyttet. Hvis dette skjer kan du bare tenne varmeren på nytt.
- På grunn av naturlig drift av små tanker kan det dannes kondens på tanken og dryppe på overflaten under varmeren. Noen ganger kan denne kondensen fryse på grunn av den ekstreme kulden forårsaket når propan (G31) fordampes. Dette er normalt og ingen grunn til alarm.


ANTENNING / BRUKSINSTRUKSJONER TIL BRUK MED ENGANGS 1 LB. PROPAN (G31) ELLER 450G 70/30 BUTAN PROPAN-BLANDING (G30 + G31) BEHOLDERE:

ADVARSEL: Inspiser alltid propanpatronen og varmerens propan/butanadapterkoblinger for skade, skitt og rusk før du fester propanpatronen. Må ikke brukes hvis hodet på beholderen er skadet, punktert eller forverret.

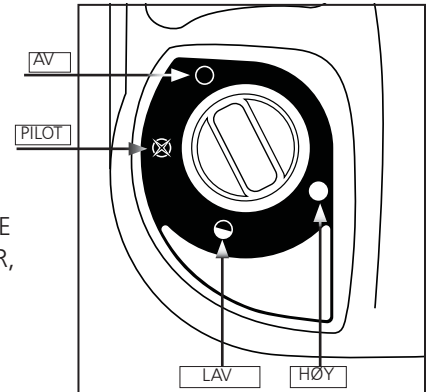
KOBLE ALLTID PATRONEN FRA ELLER TIL UTENDØRS OG VEKKE FRA FLAMMER OG ANDRE ANNTENNINGSKILDER, OG KUN NÅR VARMEREN ER KJØLIG NOK TIL Å TA PÅ. DU MÅ ALDRI RØYKE NÅR DU KOBLER FRA ELLER TIL PROPANPATRONEN ELLER NÅR DU UTFØRER FJERNTILKOBLINGER!

- Bruk kun 16,4 oz. (1 lb.) disponible propan (G31) beholdere som passer sammen med Nr. 600 ventil tilkobling eller butan/propan (70/30) (G30 + G31) blandinger med trådtype 7/16-28 ENEF-2B.

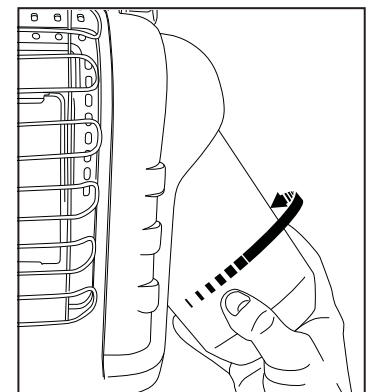
- Kontroller at segl (mellom apparatet og gassbeholderen) er på plass og i god stand før du kobler til gassbeholderen. Figur 4. Ikke bruk et apparat som har skadet eller slitt sel. Ikke bruk et apparat som lekker, er skadet eller som ikke fungerer ordentlig.

- Sørg for at kontrollkappen med fire posisjoner er i "OFF"  se figur 1.

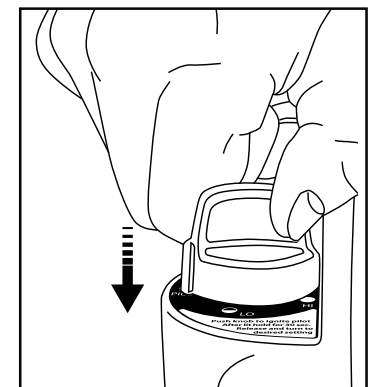
- For å bruke med propan: Sivelregulator utover for enkel tankinstallasjon. Skrue 1 lb. (465g) disponibel Propan-gass (G31) tilførsel patron med klokken (fra bunnen) inn i det bærbare varmeapparat til hånd-stramt; se Figur 2. IKKE bruk gjengeforsegling på denne tilkoblingen.
- Hvis du vil bruke med Butan / Propan blanding (G30 + G31): Skru messingadapteret med klokken inn i regulatoren for det bærbare varmeapparatet (fra bunnen)



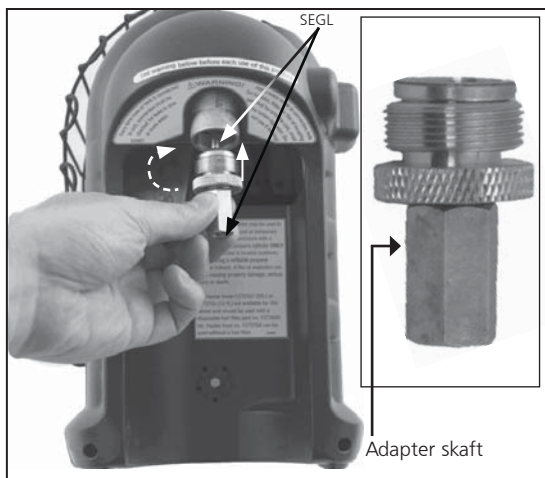
Figur 1: Kontrollknapp



Figur 2: Fest drivstofftanken




Figur 3: Tenning





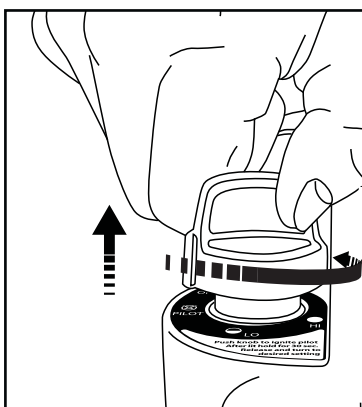
Figur 4: "Butan Adapter"

til det er stramt. Se figur 4. Ikke bruk gjengeforsegling på denne tilkoblingen. Skru butan propanbeholderen inn i adapteren (med klokken), når skaftet på adapteren begynner å vri seg er beholderen er koblet til, og putt deretter beholderen inn i stativet.

- Kontroller adapteret og patron-tilkoblingen for lekkasjer med såpevann på gjengeforbindelse under det kuppelformede plastdekselet der patronen skrues inn i regulatoren. SE ADVARSEL! PÅ KUPPELFORMET PLASTDEKSEL.
- Skru kontrollknappen mot klokken til "PILOT" posisjonen  og trykk ned for å tenne; se figur 1 og figur 3.



- Hvis varmeapparatet ikke lyser, hold inne i 30 sekunder; frigjør og trykk den inn igjen. Gjenta fram til piloten tennes.

- Etter piloten antennes, hold nede i 30 -60 sekunder og slipp knappen. Knappen skal vende helt tilbake til utdratt stilling; For å bruke varmeapparatet trykker du så vidt ned knappen og skrur forsiktig for å låse i "HI" stillingen  for tenne brennerens flis. La den bli i "HI" stillingen  inntil brennerens flis blir lyseoransje. Figur 5.






Figur 5: "Slipp knapp"

NOTAT: Oppblussing er vanlig når du tenner apparatet første gang. Hold ansiktet og brennbare gjenstander borte fra apparatet.

- Etter at brennerens flis har blitt lyseoransje justerer du varmeeffekten ved å vri kontrollbryteren til ønsket posisjon ("LO"  eller "HI"  innstillingen) Figur 1.

Advarsel:

IKKE BRUK VARMEREN MED MINDRE BRYTER ER LÅST I POSISJONEN MERKET "HI" , "LO"  ELLER "PILOT" . SETT ALDRI BRYTEREN MELLOM LÅSTE POSISJONER. DÅRLIG FORBRENNING OG HØYERE NIVÅER AV KARBONMONOKSID KAN VÆRE RESULTATET.

- For å stenge av varmeapparatet dytter du ned og vrir kontrollknappen med klokken til "AV" .

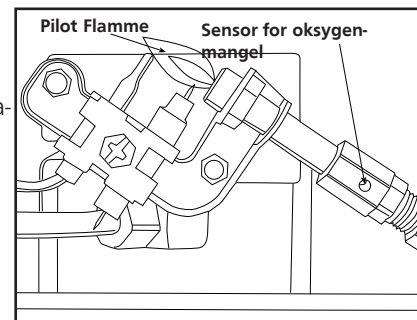
- **FORSIKTIG:** Tilgjengelige deler kan bli svært varme. Beskyttelsen på dette apparatet er der for å forebygge risiko for brann eller brannskade og ingen del av dette bør fjernes permanent. Den gir ikke full beskyttelse for små barn eller svekkede. La det grundig avkjøles før lagring. Skru knappen til "AV" posisjonen . Kontroller at brennerne er slukket før du kobler til gassbeholderen.
- **FOR Å FJERNE PROPAN (G31) BEHOLDER:** Fjern gasspatronen fra stativet og skru beholderen mot klokken til den er helt skrudd ut av varmeren.
- **FOR Å FJERNE BUTAN/PROPAN-BLANDING (G30 + G31) PATRON:** Fjern gasspatronen fra stativet og skru beholderen mot klokken til den er helt skrudd ut av adapteret.
- Når gassbeholderen fjernes så kan butan adapteret skrues mot klokken til den er helt skrudd ut av ovnen.
- Ikke bruk, lagre eller fjerne patronen i nærheten av brennbare elementer eller antennelseskilder. Bytt kun gassbeholdere på et godt ventilert sted, helst utenfor, vekk fra alle antennelseskilder som for eksempel åpen ild, piloter, elektriske branner og borte fra andre mennesker.
- Propan-GAS (G31) eller butan/propan blanding (G30 + G31) patroner MÅ KOBLES FRA VARMEREN NÅR DU IKKE BRUKER DEN! Sørg for å sjekke pakningene før du kobler til en ny gasspatron til apparatet.

VEDLIKEHOLD:

FORHOLDSREGLER NÅR APPARATET IKKE SKAL BRUKES OVER EN LENGRE PERIODE:

Hold alltid varmeapparatets område fritt for brennbare materialer, bensin og andre brennbare gasser og væsker.

Oppbevar varmeren i en pose med glidelås eller på et annet støvfritt og forseglest sted når det er avkjølt mellom bruk.



Figur 6

Hold ventilasjonsområdene (spor i bunnen og toppen på forsiden av varmeapparatet) frie til enhver tid.

Inspiser pilotflammen og brenneren med jevne mellomrom under bruk. Pilotflammen skal være blå i fargen (ikke gul) og vil strekke seg utover termo. Flammen vil omgi termo like nedenfor tuppen, se figur 6.

En liten gul flamme kan oppstå hvor pilotflammen og hovedbrennerens flamme møtes. Brenneren bør være lyse oransje (med en svak blå farge rundt kanten, en rød-oransje dis som er synlig på keramiske fliser er akseptabelt) og uten merkbar flamme. En blå flamme som ruller ut på toppen av den keramiske flis indikerer en oppsamling av støv, lo eller spindellev inne i foringsrøret til enheten og hovedbrenneren. Hvis piloten er gul eller brenneren har en merkbar flamme kan rengjøring være nødvendig. Bruk følgende fremgangsmåte for å inspisere foringsrørsammenstillingen

og hovedbrennerens montering.

Det er nødvendig å jevnlig sjekke brenneråpningen og brenner venturirøret for å sørge for at de er klare for insektreir eller spindellev som kan akkumuleres over tid. Et tett rør kan føre til brann.

- 1 La varmeapparatet avkjøles grundig før du utfører vedlikehold.
- 2 Ta patronen ut av varmeapparatet eller slå AV gasstilførselen på fjernpatronens ventil og koble slangen fra varmeapparatet.
- 3 Fjern de (4) fire skruene som fester bakdekselet til varmeren.
- 4 Vri dekselet utover fra bunnen. Utløs fra 2 klips på toppen. Sette til side.
- 5 Fjern de (4) fire festeskruene på brenneren og drivstoffslangen fra brenneren. Fjern brennerenheten fra baksiden av huset.
- 6 Inspiser innsiden av kammer for oppsamling av støv, lo eller spindellev. Om nødvendig kan du rengjøre kammeret innvendig med en støvsuger eller bruke lufttrykk. Ikke skad noen komponenter inne i kammeret under rengjøring.
- 7 Inspiser og rengjør hovedbrenneråpningen (gjenget inn i åpningens holder). Åpningens holder er festet til brennerenhetens venturirør med (2) to skruer.
- 8 Kontroller og rengjør piloten (montert til braketten) ved hjelp av et vakuum eller anvend lufttrykk gjennom hullene i piloten som indikert av pilene i figur 6. ADVARSEL: Bruk aldri nåler, ledninger eller lignende sylindriske gjenstander til å rengjøre piloten for å unngå å skade den kalibrerte åpningen som styrer gasstrømmen.
- 9 Påfør lufttrykk (maks. 30 psi.) inn i de keramiske flisene til brenneren og venturirøret (ref. Artikkel nr 16) for å fjerne støv, lo eller spindellev.
- 10 Monter hovedbrenneråpningens holder på brenneren.
- 11 Installer brennerenheten i varmerens hus
- 12 Installer drivstoffslangen og se etter lekkasjer.
- 13 Installer dekselet på baksiden av varmeren.

INFORMASJON FOR FEILSØKING:

Hvis gnistelektroden ikke produserer gnist.

KONTROLL

- Gnistelektrode ødelagt - erstatt ODS (Oxygen Depletion Sensor).
- Tennerledningen er kanskje ikke koblet til gnist elektrodeer, jordledningen er kanskje ikke festet til rammen - fest.
- Tenningsledning skadet - erstatt.
- Piezo-tenneren defekt - erstatt gassventilenheten.

Hvis gnistelektrode produserer gnist men piloten ikke tenner.

KONTROLL

- Ingen gass til varmeren - installer engangspatron eller koble til slangen og skru på ventilen på fjernpatron.
- "PILOT" posisjonen er ikke riktig justert - snu

gassknappen for til "PILOT" posisjonen og trykk ned.

- Pilot er blokkert av spindellev og skitt - rengjør pilot, se VEDLIKEHOLD.

Hvis pilot flammen ikke bli tent når bryteren slippes.

KONTROLL

- Kontrollknappen i "PILOT" posisjonen er ikke helt trykket inn eller holdt inne lenge nok til å fjerne luften fra linjene.
- Pilotflammen omringer ikke termo - rengjør pilot, se VEDLIKEHOLD.
- Pilotsystem defekt - erstatt.
- Teppebryter ledninger koblet fra - koble til.

Hvis hovedbrenneren ikke tenner.

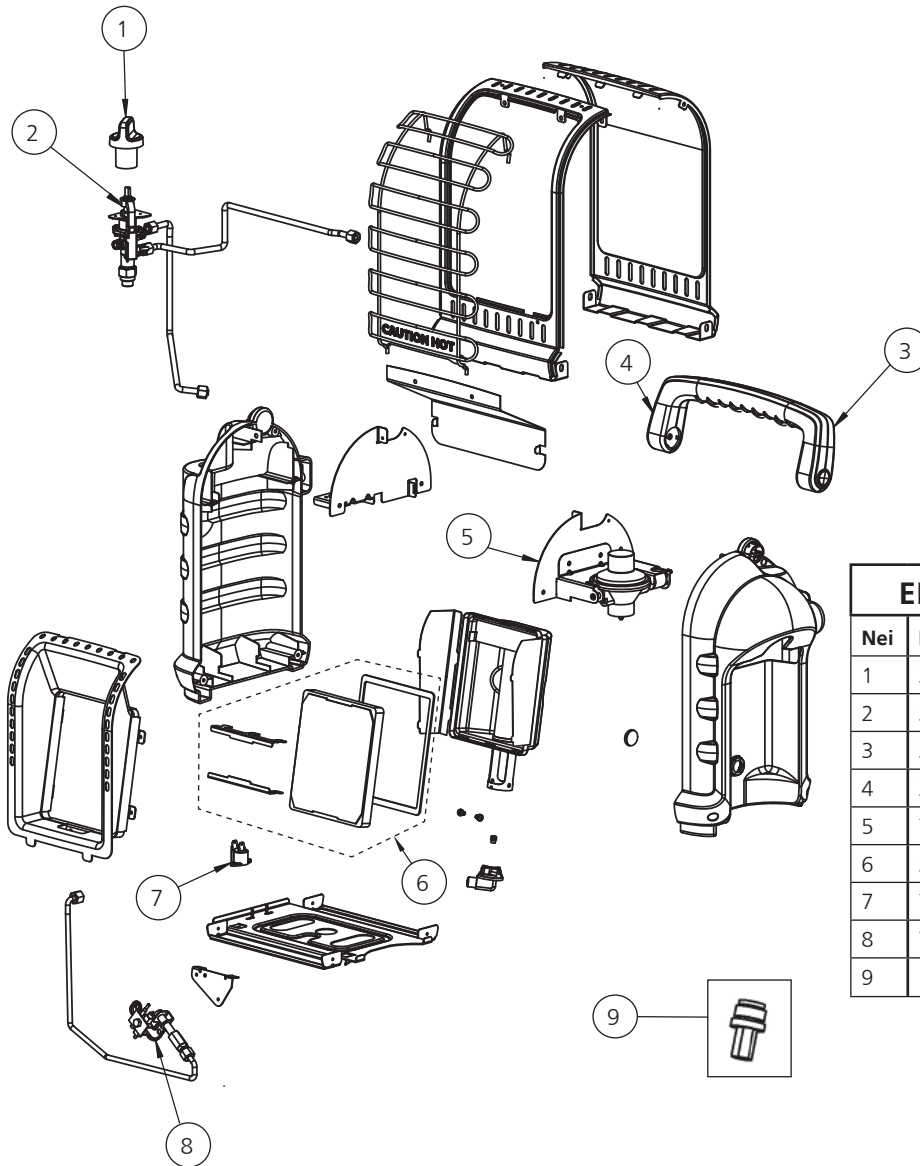
KONTROLL

- Hovedbrenneråpningen er blokkert - rengjør brenner, se VEDLIKEHOLD.

Hvis varmeren kontinuerlig slås "OFF" under normal drift.

KONTROLL

- Pilot blokkert - rengjør pilot, se VEDLIKEHOLD.
- Tilfør minimum friskluft åpning på 9 kvadrattommer (15,24 kvadratcentimeter), (eksempel 3 "(7,62 cm) x 3" (7,62 cm) åpning).
- Tipp-over bryteren aktiveres ved å dulte borti varmeren. Tenn på nytt
- Regulator defekt - Bytt regulator.
- Intern kontaminering - Bytt reguleringsventil og regulator.
- Ring Tekniske tjenester for ytterligere informasjon.



ERSTATNINGSDELELISTE:		
Nei	Del #	Beskrivelse
1	32017	Knapp, ventil, sikkerhet, rød
2	32054	Ventil, hjul, kontroll
3	32015	Håndtak, bakside, plastikk, grå
4	32014	Håndtak, front, plastikk, grå
5	75198	Hjul, regulator, med støtte
6	33088	Flis, Erstatningssett, H9BXDF
7	73403	Bryter, tippover
8	73396	ODS, Pilot, Assy
9	15164	Butan Adapter

GODKJENT MR. TILBEHØR TIL VARMER (selges separat)	
ENHET #	BESKRIVELSE
32008	5 ft. (1.52m) PROPAN slange (Swivel 1 1/2" -20 Han kast Cyl. THD. X P.O.L. w / Håndhjul) (Anbefalt bruk med bensinfilteret.)
F273699	Drivstoffilter (Erstatt årlig)



BRUKSANVISNING OG BRUKERMANUAL

Modell #
MH8BXDF



ADVARSEL:

BRUK KUN RESERVEDELER FRA PRODUSENTEN. BRUK AV ANDRE DELER KAN FORÅRSAKE PERSONSKADE ELLER DØD. RESERVEDELER ER KUN TILGJENGELIG DIREKTE FRA FABRIKKEN OG MÅ INSTALLERES AV KVALIFISERT SERVICEBYRÅ. HERR. HEATER HOSE 32008 ER SPESIELT UTVIKLET FOR Å BRUKES MED DENNE VARMEREN SAMMEN MED F273699 ENGANGSDRIVSTOFFILTERET (BYTT ÅRLIG). BRUK AV ANDRE SLANGER KAN FØRE TIL AT VARMEREN BLIR UBRUKELIG.

INFORMASJON FOR DELEBESTILLING:

INNKJØP: Tilbehør kan kjøpes på www.mrheater.com og hos lokale forhandlere
FOR INFORMASJON OM SERVICE BESØK: www.mrheater.com

Våre åpningstider er 8:00 til 17:00, EST, mandag til fredag.

Du kan chatte med tekniske representanter via nettsiden: www.mrheater.com

Inkluder modellnummer, kjøpsdato og en beskrivelse av problemet i all kommunikasjon.

BEGRENSET GARANTI

Mr. Heater, Inc. forbeholder seg retten til å foreta endringer når som helst, uten varsel eller forpliktelse, i farger, spesifikasjoner, tilbehør, materialer og modeller.

Mr. Heater, Inc. reserves the right to make changes at any time, without notice or obligation, in colors, specifications, accessories, materials and models.

Til salgs i følgende land:



PRODUKTREGISTRERING: Takk for kjøpet ditt.
Vennligst logg inn på <http://www.egiregistration.com> for å registrere produktet.

HERR. VARMER, INC., 4560 W. 160th ST., Cleveland, Ohio 44135 USA • 800-251-0001
Mr. Heater og Portable Buddy er registrerte varemerker fra Enerco Group, Inc.
© 2015, Enerco/Mr. Heater. Alle rettigheter reservert.

